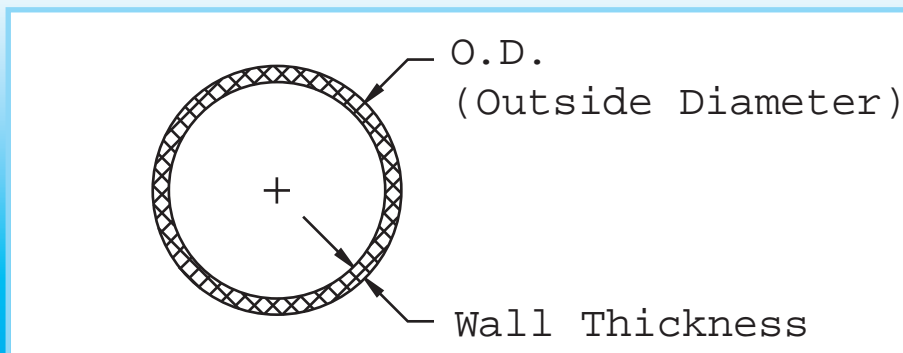


# Acid Waste Piping Systems

# Dimensions

Available in Polypropylene or PVDF

## Pipe



| Schedule 40 | Average OD | Wall Thickness | Weight per Stick (lbs) |      | Sticks per Bundle |      |
|-------------|------------|----------------|------------------------|------|-------------------|------|
|             |            |                | PP                     | PVDF | PP                | PVDF |
| 1½          | 1.900      | 0.145          | 4                      | 8.8  | 10                | 10   |
| 2           | 2.375      | 0.154          | 6                      | 12.5 | 10                | 5    |
| 3           | 3.500      | 0.216          | 10                     | 18   | 5                 | 3    |
| 4           | 4.500      | 0.237          | 15                     | 28   | 3                 | 1    |
| 6           | 6.625      | 0.280          | 24                     | 48   | 1                 | 1    |
| 8           | 8.625      | 0.322          | 42                     | N/A  | 1                 | N/A  |
| *10         | 9.842      | 0.300          | 65                     | N/A  | 1                 | N/A  |
| *12         | 12.400     | 0.380          | 91                     | N/A  | 1                 | N/A  |
| *14         | 13.976     | 0.430          | 115                    | N/A  | 1                 | N/A  |

| Schedule 80 | Average OD | Wall Thickness | Weight per Stick (lbs) |      | Sticks per Bundle |      |
|-------------|------------|----------------|------------------------|------|-------------------|------|
|             |            |                | PP                     | PVDF | PP                | PVDF |
| 1½          | 1.900      | 0.200          | 6                      | 9    | 10                | 5    |
| 2           | 2.375      | 0.218          | 7                      | 12   | 10                | 5    |
| 3           | 3.500      | 0.300          | 13                     | 25   | 5                 | 3    |
| 4           | 4.500      | 0.337          | 18                     | 34   | 3                 | 1    |
| 6           | 6.625      | 0.432          | 29                     | 58   | 1                 | 1    |
| **8         | 8.625      | N/A            | 55                     | N/A  | 1                 | N/A  |
| **10        | 10.750     | N/A            | 96                     | N/A  | 1                 | N/A  |
| **12        | 12.750     | N/A            | 113                    | N/A  | 1                 | N/A  |

Weight per Stick (lbs)      Sticks per Bundle

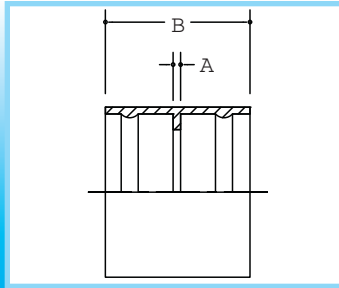
\* denotes "Nominal" OD size. Actual pipe manufactured to class 45 psi metric standards

\*\* denotes Special run required-not a standard stock item. Contact Orion for delivery times.

Dimensions are in inches unless noted otherwise. Dimensional tolerance =  $\pm 1/8"$

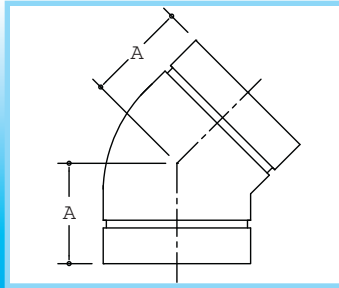
## Acid Waste Fitting Dimensions

### CLS Coupling



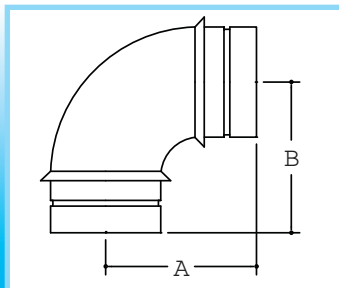
| Size: | A  | B   | C | D | E | WEIGHT<br>PP | WEIGHT<br>PVDF |
|-------|----|-----|---|---|---|--------------|----------------|
| 1½    | ⅛" | 1¾" |   |   |   | 4.86         | 8.69           |
| 2     | ⅛" | 2⅛" |   |   |   | 5.43         | 11.40          |
| 3     | ⅜" | 3"  |   |   |   | 9.33         | 19.59          |
| 4     | ¼" | 3⅜" |   |   |   | 13.25        | 27.83          |
| 6     | ⅜" | 4⅝" |   |   |   | 23.75        | 49.87          |

### 45E 1/8 Bend



| Size: | A   | B | C | D | E | WEIGHT<br>PP | WEIGHT<br>PVDF |
|-------|-----|---|---|---|---|--------------|----------------|
| 1½    | 1½" |   |   |   |   | 2.70         | 5.67           |
| 2     | 1½" |   |   |   |   | 2.62         | 5.50           |
| 3     | 2⅜" |   |   |   |   | 12.75        | 26.78          |
| 4     | 2¾" |   |   |   |   | 19.46        | 40.87          |
| 6     | 4⅛" |   |   |   |   | 30.25        | 63.53          |

### 90E 1/4 Bend

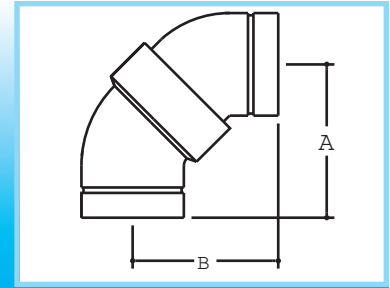


| Size: | A   | B   | C | D | E | WEIGHT<br>PP | WEIGHT<br>PVDF |
|-------|-----|-----|---|---|---|--------------|----------------|
| 1½    | 2⅝" | 2⅝" |   |   |   | 2.45         | 5.15           |
| 2     | 3½" | 3½" |   |   |   | 3.73         | 7.83           |
| 3     | 4¾" | 4¾" |   |   |   | 16.83        | 35.34          |
| 4     | 5⅜" | 5⅜" |   |   |   | 18.58        | 39.02          |
| 6     | 9⅞" | 9⅞" |   |   |   | 61.45        | 129.00         |

## No-Hub/Plain End

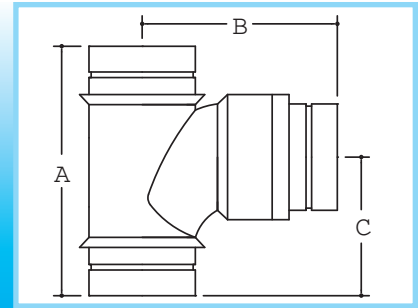
Available in Polypropylene or PVDF

### 90E Long Sweep



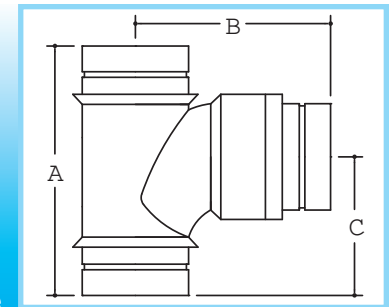
| Size: | A   | B   | C | D | E | WEIGHT<br>PP | WEIGHT<br>PVDF |
|-------|-----|-----|---|---|---|--------------|----------------|
| 1½    | 2⅞" | 2⅞" |   |   |   | 4.2          | 9.6            |
| 2     | 3⅜" | 3⅜" |   |   |   | 5.8          | 12.3           |
| 3     | 5"  | 5"  |   |   |   | 20.8         | 46.2           |
| 4     | 5⅞" | 5⅞" |   |   |   | 40.6         | 84.8           |

### 90T Sanitary Tee



| Size: | A    | B   | C   | D | E | WEIGHT<br>PP | WEIGHT<br>PVDF |
|-------|------|-----|-----|---|---|--------------|----------------|
| 1½    | 4¾"  | 3⅜" | 2⅝" |   |   | 4.30         | 9.03           |
| 2     | 5½"  | 4¼" | 3¼" |   |   | 7.68         | 16.13          |
| 3     | 7⅝"  | 6⅛" | 4¼" |   |   | 18.08        | 37.97          |
| 4     | 10¼" | 7⅞" | 5¾" |   |   | 34.93        | 73.35          |

### R90T Reducing Sanitary Tee



| Size: | A    | B   | C   | D | E | WEIGHT<br>PP | WEIGHT<br>PVDF |
|-------|------|-----|-----|---|---|--------------|----------------|
| 2x1½  | 5⅞"  | 2¾" | 2⅝" |   |   | 4.75         | 10.01          |
| 3x1½  | 6¾"  | 3½" | 3⅝" |   |   | 10.22        | 22.00          |
| 3x2   | 6¾"  | 3⅝" | 3⅝" |   |   | 10.70        | 22.40          |
| 4x1½  | 10⅞" | 8¼" | 5¾" |   |   | 35.18        | 71.60          |
| 4x2   | 10⅞" | 6½" | 5¾" |   |   | 34.86        | 76.50          |
| 4x3   | 10⅞" | 6¾" | 5¾" |   |   | 34.77        | 69.60          |

\*Weights are approximate, in ounces.

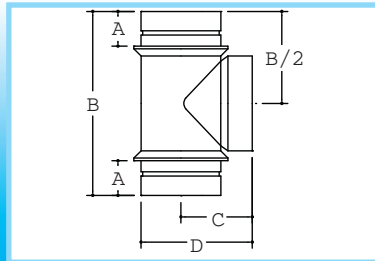
Dimensions are in inches. Dimensional tolerance = ±1/16"

# No-Hub/Plain End

Available in Polypropylene or PVDF

# Acid Waste Fitting Dimensions

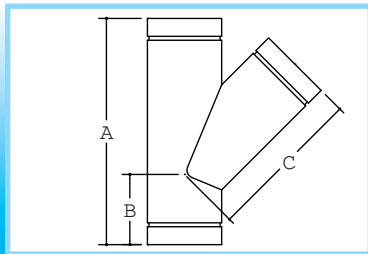
## COT Clean Out Tee



| Size: | A   | B    | C   | D    | E | WEIGHT<br>PP | WEIGHT<br>PVDF |
|-------|-----|------|-----|------|---|--------------|----------------|
| 1½    | 1"  | 7⅞"  | 2⅛" | 3⅝"  |   | 4.85         | 10.19          |
| 2     | 1"  | 5½"  | 2⅛" | 3½"  |   | 8.75         | 18.38          |
| 3     | 1⅜" | 10¾" | 2⅞" | 4⅝"  |   | 22.73        | 47.73          |
| 4     | 1⅝" | 12¼" | 3½" | 5⅞"  |   | 19.93        | 41.85          |
| 6     | 2⅛" | 20¼" | 9⅝" | 13⅜" |   | 68.61        | 144.10         |

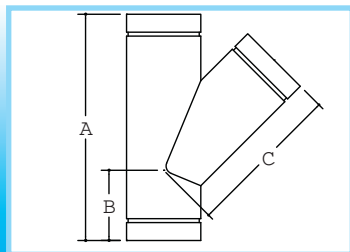
counter-sunk plug included

## 45Y Single Wye



| Size: | A    | B   | C    | D | E | WEIGHT<br>PP | WEIGHT<br>PVDF |
|-------|------|-----|------|---|---|--------------|----------------|
| 1½    | 6⅜"  | 2"  | 4⅜"  |   |   | 3.74         | 7.85           |
| 2     | 7¼"  | 2¼" | 5"   |   |   | 7.63         | 16.02          |
| 3     | 9⅛"  | 2⅝" | 7½"  |   |   | 20.53        | 43.11          |
| 4     | 11⅛" | 3⅜" | 8¾"  |   |   | 30.80        | 64.68          |
| 6     | 19⅞" | 6½" | 11⅜" |   |   | 99.96        | 209.90         |

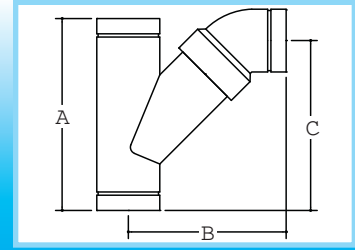
## R45Y Reducing Single Wye



| Size: | A    | B   | C    | D | E     | WEIGHT<br>PP | WEIGHT<br>PVDF |
|-------|------|-----|------|---|-------|--------------|----------------|
| 2x1½  | 7¼"  | 2¼" | 5"   |   | 6.75  | 14.21        |                |
| 3x1½  | 7¼"  | 1½" | 5¾"  |   | 10.43 | 11.80        |                |
| 3x2   | 8"   | 2½" | 6½"  |   | 17.33 | 35.20        |                |
| 4x1½  | 8⅝"  | 1⅞" | 7⅝"  |   | 19.25 | 40.62        |                |
| 4x2   | 8½"  | 2⅝" | 6¾"  |   | 17.88 | 36.80        |                |
| 4x3   | 10⅞" | 2½" | 7¾"  |   | 24.45 | 50.10        |                |
| 6x2   | 19⅞" | 6⅝" | 12⅝" |   | 94.88 | 189.60       |                |
| 6x3   | 19⅞" | 6⅝" | 12⅝" |   | 93.56 | 186.70       |                |
| 6x4   | 19⅞" | 6⅝" | 13"  |   | 94.49 | 189.60       |                |

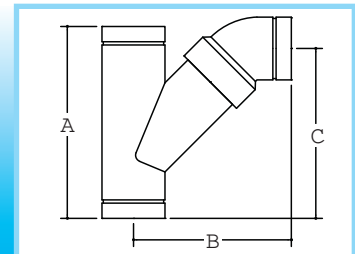
\*Weights are approximate, in ounces.

## LTY Long Turn Wye



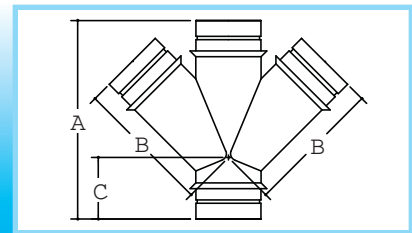
| Size: | A    | B    | C   | D | E | WEIGHT<br>PP | WEIGHT<br>PVDF |
|-------|------|------|-----|---|---|--------------|----------------|
| 1½    | 6⅜"  | 4⅞"  | 5½" |   |   | 5.34         | 11.21          |
| 2     | 7¼"  | 5¾"  | 6½" |   |   | 10.30        | 21.63          |
| 3     | 9⅛"  | 8⅜"  | 8½" |   |   | 29.18        | 61.28          |
| 4     | 11⅛" | 10"  | 9⅞" |   |   | 35.78        | 75.14          |
| 6     | 19⅞" | 13⅞" | 16" |   |   | 132.36       | 278.00         |

## RLTY Reducing Long Turn Wye



| Size: | A    | B    | C    | D | E | WEIGHT<br>PP | WEIGHT<br>PVDF |
|-------|------|------|------|---|---|--------------|----------------|
| 2x1½  | 7¼"  | 5⅝"  | 6⅜"  |   |   | 8.70         | 17.60          |
| 3x1½  | 6¼"  | 5⅝"  | 5⅝"  |   |   | 13.82        | 27.60          |
| 3x2   | 8"   | 6⅜"  | 7¼"  |   |   | 19.55        | 40.10          |
| 4x1½  | 8½"  | 7½"  | 8¼"  |   |   | 20.93        | 42.60          |
| 4x2   | 8⅝"  | 7"   | 7⅝"  |   |   | 20.70        | 41.80          |
| 4x3   | 10⅞" | 9"   | 9"   |   |   | 33.10        | 66.80          |
| 6x2   | 19⅞" | 11"  | 15⅝" |   |   | 95.81        | 190.60         |
| 6x3   | 19⅞" | 11"  | 15"  |   |   | 102.20       | 205.80         |
| 6x4   | 19⅞" | 11⅝" | 15⅝" |   |   | 109.30       | 220.70         |

## D45Y Double Wye



| Size: | A    | B    | C   | D | E | WEIGHT<br>PP | WEIGHT<br>PVDF |
|-------|------|------|-----|---|---|--------------|----------------|
| 1½    | 6¼"  | 4"   | 2⅝" |   |   | 8.60         | 18.06          |
| 2     | 8¼"  | 5⅝"  | 3"  |   |   | 14.87        | 31.23          |
| 3     | 8¾"  | 6⅞"  | 2⅝" |   |   | 29.60        | 62.16          |
| 4     | 11¾" | 8"   | 3¾" |   |   | 37.43        | 78.60          |
| 6     | 19⅞" | 11½" | 6½" |   |   | 147.62       | 310.00         |

Dimensions are in inches. Dimensional tolerance = ±1/16"

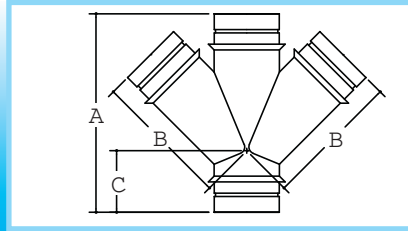
## Acid Waste Fitting Dimensions

## No-Hub/Plain End

Available in Polypropylene or PVDF

### RD45Y

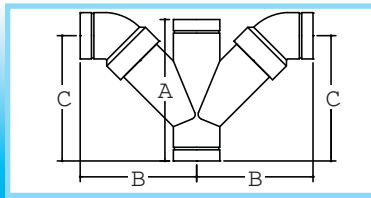
Reducing Double Wye



| Size: | A                                | B                                | C                               | D | E | WEIGHT<br>PP | WEIGHT<br>PVDF |
|-------|----------------------------------|----------------------------------|---------------------------------|---|---|--------------|----------------|
| 2x1½  | 8 <sup>3</sup> / <sub>8</sub> "  | 5 <sup>3</sup> / <sub>8</sub> "  | 3"                              |   |   | 14.33        | 29.70          |
| 3x1½  | 6 <sup>1</sup> / <sub>4</sub> "  | 5 <sup>1</sup> / <sub>4</sub> "  | 1 <sup>1</sup> / <sub>2</sub> " |   |   | 12.18        | 26.30          |
| 3x2   | 8 <sup>3</sup> / <sub>4</sub> "  | 6 <sup>1</sup> / <sub>8</sub> "  | 2 <sup>7</sup> / <sub>8</sub> " |   |   | 19.60        | 38.70          |
| 4x1½  | 8 <sup>3</sup> / <sub>8</sub> "  | 7 <sup>3</sup> / <sub>4</sub> "  | 1 <sup>7</sup> / <sub>8</sub> " |   |   | 26.14        | 53.80          |
| 4x2   | 8 <sup>3</sup> / <sub>8</sub> "  | 7 <sup>7</sup> / <sub>8</sub> "  | 1 <sup>7</sup> / <sub>8</sub> " |   |   | 23.10        | 48.20          |
| 4x3   | 10 <sup>1</sup> / <sub>8</sub> " | 7 <sup>3</sup> / <sub>8</sub> "  | 2 <sup>3</sup> / <sub>4</sub> " |   |   | 30.03        | 60.90          |
| 6x2   | 19 <sup>7</sup> / <sub>8</sub> " | 12 <sup>5</sup> / <sub>8</sub> " | 6 <sup>3</sup> / <sub>8</sub> " |   |   | 122.90       | 250.60         |
| 6x3   | 19 <sup>7</sup> / <sub>8</sub> " | 12 <sup>1</sup> / <sub>2</sub> " | 6 <sup>3</sup> / <sub>8</sub> " |   |   | 104.36       | 210.70         |
| 6x4   | 19 <sup>7</sup> / <sub>8</sub> " | 12 <sup>7</sup> / <sub>8</sub> " | 6 <sup>3</sup> / <sub>8</sub> " |   |   | 106.22       | 215.70         |

### DLTY

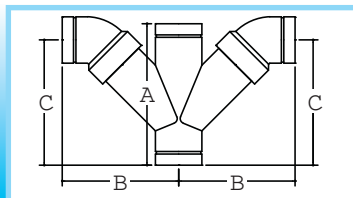
Double Long Turn Wye



| Size: | A                                | B                                | C                                | D | E | WEIGHT<br>PP | WEIGHT<br>PVDF |
|-------|----------------------------------|----------------------------------|----------------------------------|---|---|--------------|----------------|
| 1½    | 6 <sup>3</sup> / <sub>8</sub> "  | 4 <sup>3</sup> / <sub>8</sub> "  | 5 <sup>1</sup> / <sub>8</sub> "  |   |   | 10.26        | 21.55          |
| 2     | 8 <sup>1</sup> / <sub>4</sub> "  | 5"                               | 6 <sup>3</sup> / <sub>8</sub> "  |   |   | 16.23        | 34.08          |
| 3     | 8 <sup>3</sup> / <sub>4</sub> "  | 7 <sup>1</sup> / <sub>8</sub> "  | 7 <sup>3</sup> / <sub>4</sub> "  |   |   | 46.90        | 98.49          |
| 4     | 11 <sup>5</sup> / <sub>8</sub> " | 9 <sup>1</sup> / <sub>2</sub> "  | 10 <sup>1</sup> / <sub>4</sub> " |   |   | 64.19        | 134.80         |
| 6     | 19 <sup>7</sup> / <sub>8</sub> " | 13 <sup>3</sup> / <sub>8</sub> " | 15 <sup>5</sup> / <sub>8</sub> " |   |   | 181.86       | 381.90         |

### RDLTY

Reducing Double Long Turn Wye

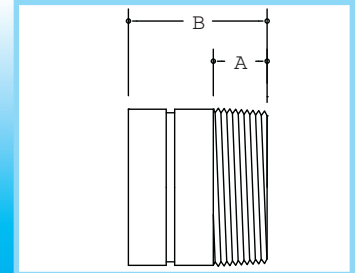


| Size: | A                                | B                                | C                                | D | E | WEIGHT<br>PP | WEIGHT<br>PVDF |
|-------|----------------------------------|----------------------------------|----------------------------------|---|---|--------------|----------------|
| 2x1½  | 8 <sup>3</sup> / <sub>8</sub> "  | 5 <sup>3</sup> / <sub>4</sub> "  | 7 <sup>1</sup> / <sub>4</sub> "  |   |   | 18.37        | 37.80          |
| 3x1½  | 6 <sup>1</sup> / <sub>4</sub> "  | 5 <sup>3</sup> / <sub>4</sub> "  | 5 <sup>5</sup> / <sub>8</sub> "  |   |   | 15.80        | 34.60          |
| 3x2   | 8 <sup>3</sup> / <sub>4</sub> "  | 6 <sup>3</sup> / <sub>8</sub> "  | 7 <sup>3</sup> / <sub>8</sub> "  |   |   | 23.86        | 48.70          |
| 4x1½  | 8 <sup>3</sup> / <sub>8</sub> "  | 7 <sup>1</sup> / <sub>2</sub> "  | 7 <sup>3</sup> / <sub>4</sub> "  |   |   | 27.69        | 37.60          |
| 4x2   | 8 <sup>3</sup> / <sub>8</sub> "  | 7 <sup>5</sup> / <sub>8</sub> "  | 7 <sup>3</sup> / <sub>4</sub> "  |   |   | 29.12        | 83.60          |
| 4x3   | 10 <sup>3</sup> / <sub>8</sub> " | 8 <sup>1</sup> / <sub>2</sub> "  | 8 <sup>3</sup> / <sub>4</sub> "  |   |   | 47.33        | 97.60          |
| 6x2   | 19 <sup>7</sup> / <sub>8</sub> " | 11"                              | 15 <sup>7</sup> / <sub>8</sub> " |   |   | 108.86       | 218.00         |
| 6x3   | 19 <sup>7</sup> / <sub>8</sub> " | 12 <sup>5</sup> / <sub>8</sub> " | 16 <sup>3</sup> / <sub>8</sub> " |   |   | 113.46       | 230.71         |
| 6x4   | 19 <sup>7</sup> / <sub>8</sub> " | 13"                              | 16 <sup>3</sup> / <sub>8</sub> " |   |   | 132.98       | 268.70         |

\*Weights are approximate, in ounces .

### MA

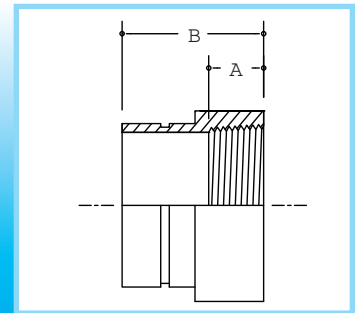
Male Adapter



| Size: | A                               | B                               | C | D | E | WEIGHT<br>PP | WEIGHT<br>PVDF |
|-------|---------------------------------|---------------------------------|---|---|---|--------------|----------------|
| 1½    | 7 <sup>1</sup> / <sub>8</sub> " | 2 <sup>1</sup> / <sub>8</sub> " |   |   |   | 1.12         | 2.35           |
| 2     | 3 <sup>1</sup> / <sub>4</sub> " | 2"                              |   |   |   | 1.38         | 2.90           |
| 3     | 1 <sup>1</sup> / <sub>4</sub> " | 3"                              |   |   |   | 3.85         | 8.08           |
| 4     | 1 <sup>1</sup> / <sub>4</sub> " | 3"                              |   |   |   | 5.38         | 11.30          |
| 6     | 2"                              | 4 <sup>3</sup> / <sub>8</sub> " |   |   |   | 15.30        | 32.13          |

### FA

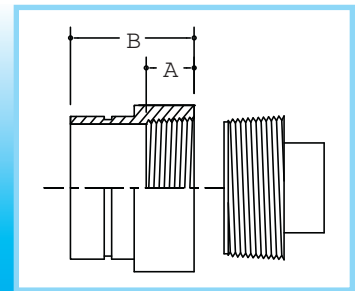
Female Adapter



| Size: | A                               | B                               | C | D | E | WEIGHT<br>PP | WEIGHT<br>PVDF |
|-------|---------------------------------|---------------------------------|---|---|---|--------------|----------------|
| 1½    | 7 <sup>1</sup> / <sub>8</sub> " | 2 <sup>1</sup> / <sub>8</sub> " |   |   |   | 1.12         | 2.35           |
| 2     | 3 <sup>1</sup> / <sub>4</sub> " | 2"                              |   |   |   | 1.90         | 3.99           |
| 3     | 1 <sup>1</sup> / <sub>4</sub> " | 3"                              |   |   |   | 4.93         | 10.35          |
| 4     | 1 <sup>1</sup> / <sub>4</sub> " | 3"                              |   |   |   | 7.78         | 16.34          |
| 6     | 2"                              | 4 <sup>3</sup> / <sub>8</sub> " |   |   |   | 17.48        | 36.71          |

### COA

Cleanout Adapter



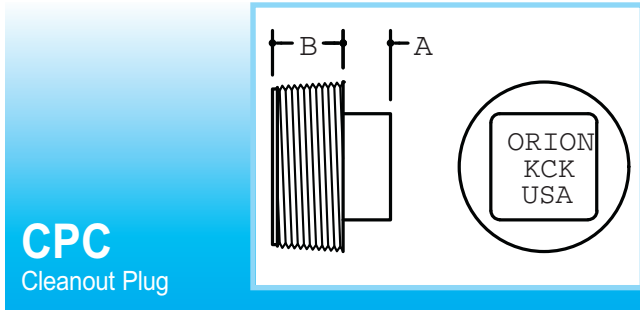
| Size: | A                               | B                               | C | D | E | WEIGHT<br>PP | WEIGHT<br>PVDF |
|-------|---------------------------------|---------------------------------|---|---|---|--------------|----------------|
| 1½    | 7 <sup>1</sup> / <sub>8</sub> " | 2 <sup>1</sup> / <sub>8</sub> " |   |   |   | 1.57         | 3.30           |
| 2     | 3 <sup>1</sup> / <sub>4</sub> " | 2"                              |   |   |   | 2.94         | 6.17           |
| 3     | 1 <sup>1</sup> / <sub>4</sub> " | 3"                              |   |   |   | 6.76         | 14.20          |
| 4     | 1 <sup>1</sup> / <sub>4</sub> " | 3"                              |   |   |   | 11.88        | 24.95          |
| 6     | 2"                              | 4 <sup>3</sup> / <sub>8</sub> " |   |   |   | 25.41        | 53.36          |

Dimensions are in inches. Dimensional tolerance = ±1/8"

# No-Hub/Plain End

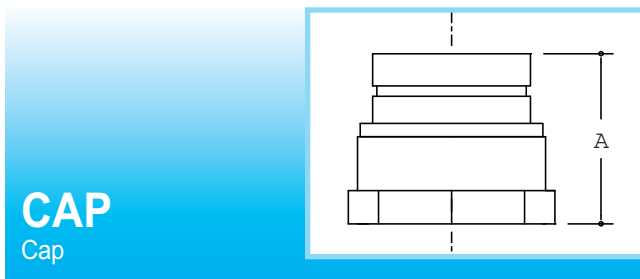
# Acid Waste Fitting Dimensions

Available in Polypropylene or PVDF



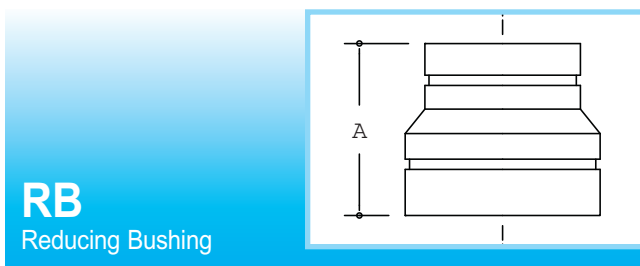
**CPC**  
Cleanout Plug

| Size: | A  | B   | C | D | E | WEIGHT<br>PP | WEIGHT<br>PVDF |
|-------|----|-----|---|---|---|--------------|----------------|
| 1½    | ¾" | 1"  |   |   |   | 1.57         | .95            |
| 2     | ¾" | 1"  |   |   |   | 1.02         | 2.14           |
| 3     | ¾" | 1½" |   |   |   | 1.83         | 3.84           |
| 4     | ¾" | 1½" |   |   |   | 4.10         | 8.61           |
| 6     | 1" | 1¾" |   |   |   | 7.93         | 16.65          |



**CAP**  
Cap

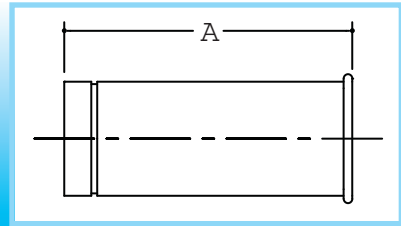
| Size: | A   | B | C | D | E | WEIGHT<br>PP | WEIGHT<br>PVDF |
|-------|-----|---|---|---|---|--------------|----------------|
| 1½    | 2¼" |   |   |   |   | 2.06         | 4.33           |
| 2     | 2⅝" |   |   |   |   | 3.16         | 6.64           |
| 3     | 3¼" |   |   |   |   | 6.80         | 14.28          |
| 4     | 3⅜" |   |   |   |   | 12.53        | 26.31          |
| 6     | 5¼" |   |   |   |   | 26.55        | 55.76          |



**RB**  
Reducing Bushing

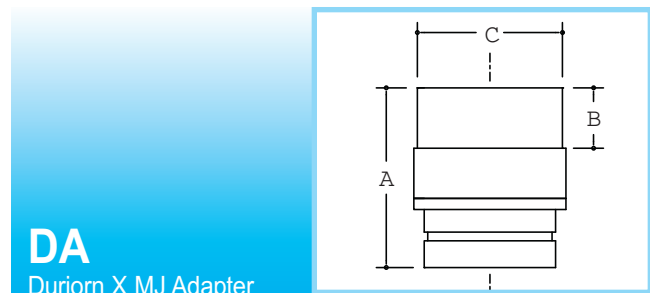
| Size: | A   | B | C | D | E | WEIGHT<br>PP | WEIGHT<br>PVDF |
|-------|-----|---|---|---|---|--------------|----------------|
| 2x1½  | 2⅛" |   |   |   |   | 1.52         | 3.19           |
| 3x1½  | 2½" |   |   |   |   | 4.11         | 8.63           |
| 3x2   | 2½" |   |   |   |   | 3.34         | 7.01           |
| 4x1½  | 4¼" |   |   |   |   | 5.98         | 12.56          |
| 4x2   | 2¾" |   |   |   |   | 5.03         | 10.56          |
| 4x3   | 3"  |   |   |   |   | 5.35         | 11.24          |
| 6x2   | 5⅜" |   |   |   |   | 19.34        | 40.61          |
| 6x3   | 5½" |   |   |   |   | 20.10        | 42.21          |
| 6x4   | 5¾" |   |   |   |   | 20.08        | 42.17          |

\*Weights are approximate, in ounces.



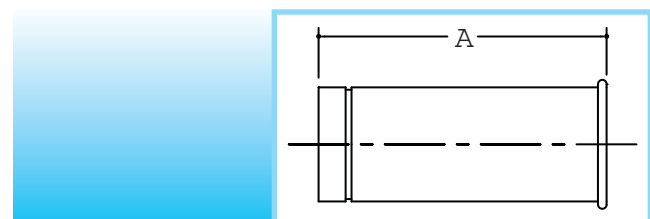
**DHA**  
Duriorm Hub X MJ Adapter

| Size: | A  | B | C | D | E | WEIGHT<br>PP | WEIGHT<br>PVDF |
|-------|----|---|---|---|---|--------------|----------------|
| 1½    | 6" |   |   |   |   | 2.73         | 5.73           |
| 2     | 6" |   |   |   |   | 3.60         | 7.56           |
| 3     | 6" |   |   |   |   | 7.80         | 16.38          |
| 4     | 6" |   |   |   |   | 10.96        | 23.02          |
| 6     | 6" |   |   |   |   | 19.60        | 41.16          |



**DA**  
Duriorm X MJ Adapter

| Size: | A   | B   | C   | D | E | WEIGHT<br>PP | WEIGHT<br>PVDF |
|-------|-----|-----|-----|---|---|--------------|----------------|
| 1½    | 3⅛" | 1⅛" | 2¼" |   |   | 1.96         | 4.12           |
| 2     | 3⅜" | 1⅛" | 2⅝" |   |   | 3.60         | 7.56           |
| 3     | 4⅝" | 1⅛" | 3¾" |   |   | 8.60         | 18.06          |
| 4     | 5⅝" | 1⅛" | 4¾" |   |   | 13.62        | 28.60          |



**CIA**  
Cast Iron Hub X MJ Adapter

| Size: | A  | B | C | D | E | WEIGHT<br>PP | WEIGHT<br>PVDF |
|-------|----|---|---|---|---|--------------|----------------|
| 1½    | 6" |   |   |   |   | 2.73         | 5.73           |
| 2     | 6" |   |   |   |   | 3.60         | 7.56           |
| 3     | 6" |   |   |   |   | 7.80         | 16.38          |
| 4     | 6" |   |   |   |   | 10.96        | 23.02          |
| 6     | 6" |   |   |   |   | 19.60        | 41.16          |

Dimensions are in inches. Dimensional tolerance = ±1/8"

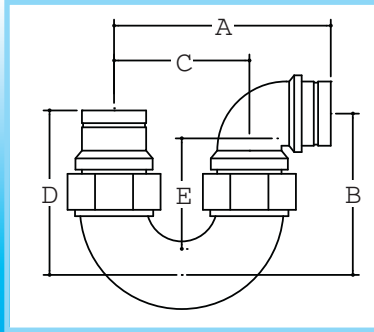
## Acid Waste Fitting Dimensions

## No-Hub/Plain End

Available in Polypropylene or PVDF

### UTP

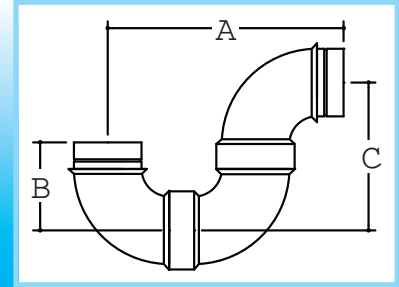
Full drop union  
P-trap



| Size: | A   | B   | C  | D   | E   | WEIGHT<br>PP | WEIGHT<br>PVDF |
|-------|-----|-----|----|-----|-----|--------------|----------------|
| 1½    | 6½" | 5⅝" | 4" | 5"  | 3½" | 11.73        | 24.63          |
| 2     | 7¾" | 5⅝" | 5" | 5½" | 3⅝" | 18.73        | 39.33          |

### RBP

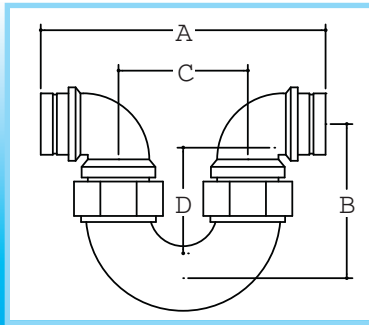
P Trap



| Size: | A    | B   | C    | D | E | WEIGHT<br>PP | WEIGHT<br>PVDF |
|-------|------|-----|------|---|---|--------------|----------------|
| 1½    | 6⅝"  | 2⅝" | 4"   |   |   | 7.01         | 14.72          |
| 2     | 9⅞"  | 3⅜" | 5⅝"  |   |   | 11.76        | 24.70          |
| 3     | 12¾" | 4¾" | 8"   |   |   | 42.29        | 88.81          |
| 4     | 15"  | 5⅝" | 9½"  |   |   | 58.59        | 123.00         |
| 6     | 21¼" | 7⅞" | 13⅜" |   |   | 192.25       | 403.70         |

### UTR

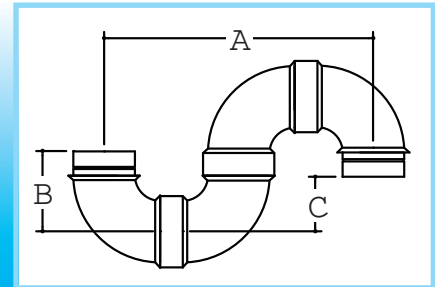
Running Trap



| Size: | A    | B   | C  | D   | E | WEIGHT<br>PP | WEIGHT<br>PVDF |
|-------|------|-----|----|-----|---|--------------|----------------|
| 1½    | 9"   | 5⅝" | 4" | 3½" |   | 13.85        | 29.09          |
| 2     | 10½" | 5½" | 5" | 3½" |   | 19.10        | 40.11          |

### RBPS

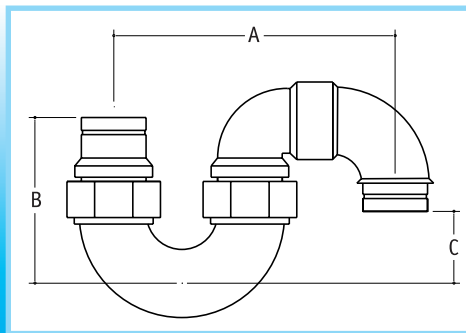
S Trap



| Size: | A    | B   | C   | D | E | WEIGHT<br>PP | WEIGHT<br>PVDF |
|-------|------|-----|-----|---|---|--------------|----------------|
| 1½    | 8¾"  | 2¾" | 2"  |   |   | 9.09         | 19.09          |
| 2     | 11⅞" | 3½" | 2¼" |   |   | 15.72        | 33.01          |
| 3     | 16⅞" | 4¾" | 3⅜" |   |   | 55.02        | 115.50         |
| 4     | 18⅞" | 5⅝" | 3⅞" |   |   | 77.17        | 162.10         |

### UTPS

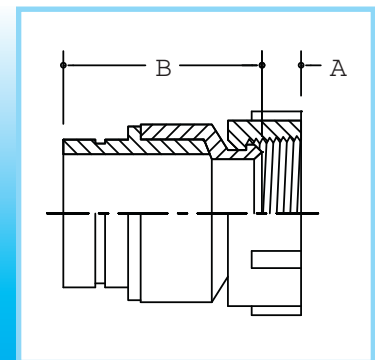
S Trap



| Size: | A    | B   | C   | D | E | WEIGHT<br>PP | WEIGHT<br>PVDF |
|-------|------|-----|-----|---|---|--------------|----------------|
| 1½    | 8⅞"  | 5"  | 2⅝" |   |   | 13.10        | 27.51          |
| 2     | 10⅞" | 5½" | 2¼" |   |   | 22.73        | 47.73          |

### RLNS

Sink Tail Piece Adapter



| Size: | A  | B   | C | D | E | WEIGHT<br>PP | WEIGHT<br>PVDF |
|-------|----|-----|---|---|---|--------------|----------------|
| 1½    | ½" | 2½" |   |   |   | 2.50         | 5.25           |
| 2     | ¾" | 4"  |   |   |   | 4.66         | 9.79           |

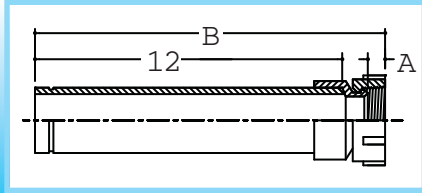
\*Weights are approximate, in ounces.

Dimensions are in inches. Dimensional tolerance = ±⅛"

# No-Hub/Plain End

# Acid Waste Fitting Dimensions

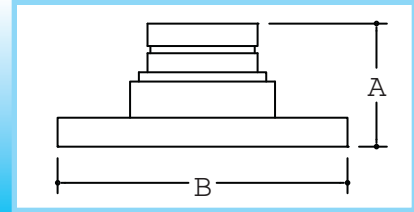
Available in Polypropylene or PVDF



## RLNS12

Sink Tail Piece Extension

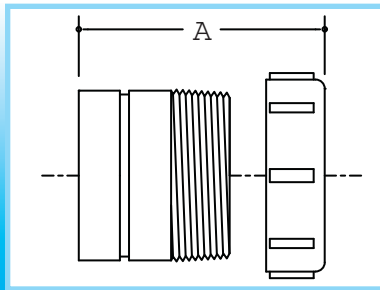
| Size: | A  | B    | C | D | E | WEIGHT<br>PP | WEIGHT<br>PVDF |
|-------|----|------|---|---|---|--------------|----------------|
| 1½    | ½" | 12¾" |   |   |   | 7.33         | 15.39          |
| 2     | ¾" | 13⅝" |   |   |   | 9.80         | 20.58          |



## FLG

Flange

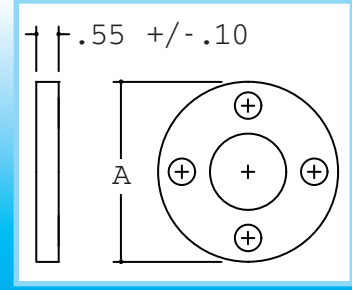
| Size: | A   | B   | 150# ANSI Pattern Holes | WEIGHT<br>PP | WEIGHT<br>PVDF |
|-------|-----|-----|-------------------------|--------------|----------------|
| 1½    | 2¼" | 5"  | 4                       | 6.16         | 12.94          |
| 2     | 2⅝" | 6"  | 4                       | 8.48         | 17.81          |
| 3     | 3¼" | 7"  | 4                       | 18.18        | 38.18          |
| 4     | 3¼" | 9"  | 8                       | 26.63        | 55.92          |
| 6     | 5⅝" | 11" | 8                       | 46.86        | 98.41          |



## SJ

Slip Joint Adapter

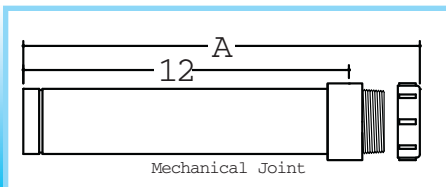
| Size: | A   | B | C | D | E | F | WEIGHT<br>PP | WEIGHT<br>PVDF |
|-------|-----|---|---|---|---|---|--------------|----------------|
| 1½    | 2¼" |   |   |   |   |   | 1.38         | 2.90           |
| 2     | 2½" |   |   |   |   |   | 2.26         | 4.75           |



## BACK UP

Backup Ring

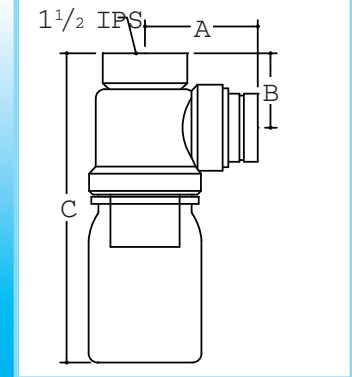
| Size: | A   | 150# ANSI Pattern Holes |
|-------|-----|-------------------------|
| 1½    | 5"  | 4                       |
| 2     | 6"  | 4                       |
| 3     | 7"  | 4                       |
| 4     | 9"  | 8                       |
| 6     | 11" | 8                       |



## SJA12

Slip Joint Adapter X 12

| Size: | A    | B | C | D | E | F | WEIGHT<br>PP | WEIGHT<br>PVDF |
|-------|------|---|---|---|---|---|--------------|----------------|
| 1½    | 13¾" |   |   |   |   |   | 7.00         | 14.70          |
| 2     | 13⅝" |   |   |   |   |   | 9.14         | 19.19          |



## BT1

Bottle Trap w/o Bottle

| Size:      | A   | B   | C    | WEIGHT<br>PP |
|------------|-----|-----|------|--------------|
| w/o BOTTLE | 3⅞" | 2⅞" |      | 8.15         |
| 1PT        |     |     | 8⅝"  | 10.60        |
| 1QT        |     |     | 10¼" | 11.73        |
| 2QT        |     |     | 11⅝" | 14.00        |

Dimensions are in inches. Dimensional tolerance = ±1/8"

\*Weights are approximate, in ounces

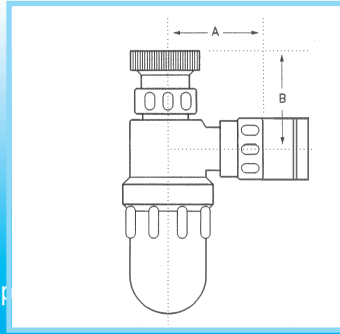
## Acid Waste Fitting Dimensions

## No-Hub/Plain End

Available in Polypropylene or PVDF

### BT2

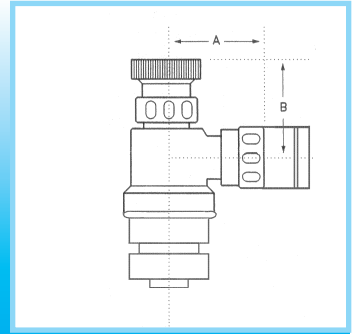
Adjustable Riser Bottle Trap  
with female threads



| Size: | A  | B   | WEIGHT<br>PP | WEIGHT<br>PVDF |
|-------|----|-----|--------------|----------------|
| 1½"   | 3" | 7¼" |              |                |

### BT3

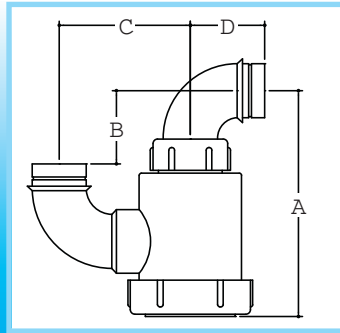
adjustable Riser Bottle Trap  
Without bottle for use with  
glass mason Jar



| Size: | A  | B   | WEIGHT<br>PP | WEIGHT<br>PVDF |
|-------|----|-----|--------------|----------------|
| 1½"   | 3" | 7¼" |              |                |

### DT1

Drum Trap



| Size: | A   | B   | C   | D   | WEIGHT<br>PP | WEIGHT<br>PVDF |
|-------|-----|-----|-----|-----|--------------|----------------|
| 1½"   | 9¼" | 3½" | 5"  | 3⅝" | 25.20        | 52.92          |
| 2"    | 10" | 3⅜" | 5¾" | 3⅞" | 27.95        | 58.70          |

\*Weights are approximate and in ounces.

Dimensions are in inches. Dimensional tolerance = ±1/8"

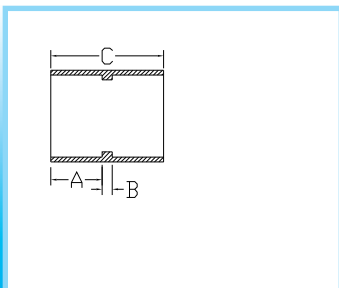


# Large Diameter

# Acid Waste Fitting Dimensions

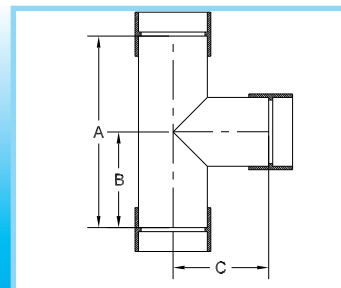
Available in Polypropylene

**CLS**  
COUPLING



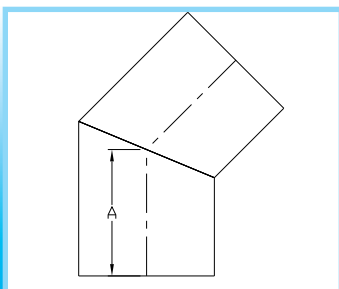
| Size: | A  | B | C  | WEIGHT<br>PP |
|-------|----|---|----|--------------|
| 8     | 2½ | ½ | 5½ |              |
| 10    | 2½ | ½ | 5½ |              |
| 12    | 2½ | ½ | 5½ |              |

**90T**  
90 TEE



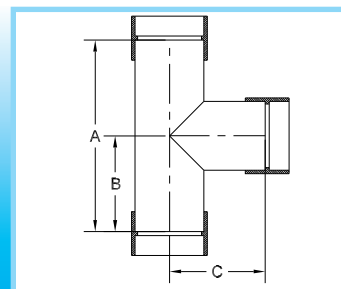
| Size: | A  | B  | C  | D | E | WEIGHT<br>PP | WEIGHT<br>PVDF |
|-------|----|----|----|---|---|--------------|----------------|
| 8     | 24 | 12 | 12 |   |   |              |                |
| 10    | 24 | 12 | 12 |   |   |              |                |
| 12    | 24 | 12 | 12 |   |   |              |                |

**45E**  
¼ BEND



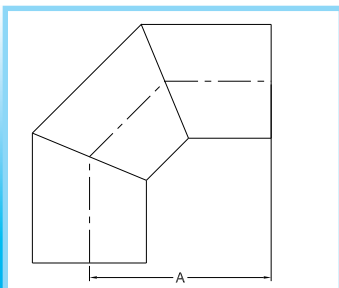
| Size: | A  | B | C | D | E | WEIGHT<br>PP | WEIGHT<br>PVDF |
|-------|----|---|---|---|---|--------------|----------------|
| 8     | 8⅞ |   |   |   |   |              |                |
| 10    | 8½ |   |   |   |   |              |                |
| 12    | 8⅞ |   |   |   |   |              |                |

**R90T**  
REDUCING 90 TEE



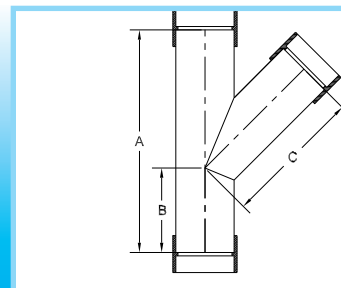
| Size: | A  | B  | C  | D | E | WEIGHT<br>PP | WEIGHT<br>PVDF |
|-------|----|----|----|---|---|--------------|----------------|
| 8x6   | 24 | 12 | 12 |   |   |              |                |
| 8x6   | 24 | 12 | 12 |   |   |              |                |
| 10x6  | 24 | 12 | 12 |   |   |              |                |
| 10x8  | 24 | 12 | 12 |   |   |              |                |
| 12x8  | 24 | 12 | 12 |   |   |              |                |
| 12x10 | 24 | 12 | 12 |   |   |              |                |

**90E**  
¼ BEND



| Size: | A   | B | C | D | E | WEIGHT<br>PP | WEIGHT<br>PVDF |
|-------|-----|---|---|---|---|--------------|----------------|
| 8     | 13¾ |   |   |   |   |              |                |
| 10    | 14⅓ |   |   |   |   |              |                |
| 12    | 15⅓ |   |   |   |   |              |                |

**45Y**  
SINGLE WYE



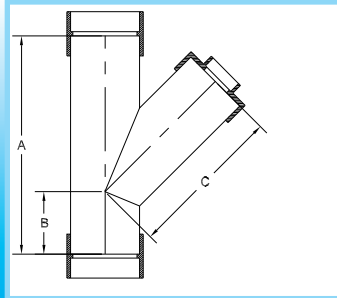
| Size: | A   | B  | C   | D | E | WEIGHT<br>PP | WEIGHT<br>PVDF |
|-------|-----|----|-----|---|---|--------------|----------------|
| 8     | 27⅞ | 7⅓ | 17⅞ |   |   |              |                |
| 10    | 30⅞ | 8¼ | 20  |   |   |              |                |
| 12    | 33⅞ | 8⅞ | 22⅞ |   |   |              |                |

# Acid Waste Fitting Dimensions

# Large Diameter

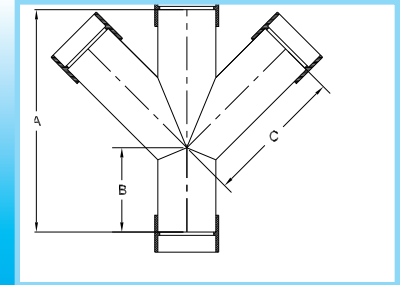
Available in Polypropylene

**R45Y**  
Reducing Single Wye



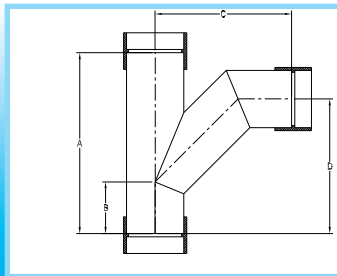
| Size: | A                               | B                               | C                                | D | E | WEIGHT<br>PP | WEIGHT<br>PVDF |
|-------|---------------------------------|---------------------------------|----------------------------------|---|---|--------------|----------------|
| 8x6   | 7 <sup>3</sup> / <sub>16</sub>  | 7 <sup>13</sup> / <sub>16</sub> | 19 <sup>1</sup> / <sub>16</sub>  |   |   |              |                |
| 8x6   | 7 <sup>3</sup> / <sub>16</sub>  | 7 <sup>13</sup> / <sub>16</sub> | 19 <sup>1</sup> / <sub>16</sub>  |   |   |              |                |
| 10x6  | 30 <sup>7</sup> / <sub>16</sub> | 8 <sup>1</sup> / <sub>4</sub>   | 22 <sup>1</sup> / <sub>4</sub>   |   |   |              |                |
| 10x8  | 30 <sup>7</sup> / <sub>16</sub> | 8 <sup>1</sup> / <sub>4</sub>   | 22 <sup>1</sup> / <sub>4</sub>   |   |   |              |                |
| 12x8  | 33 <sup>7</sup> / <sub>16</sub> | 8 <sup>5</sup> / <sub>8</sub>   | 24 <sup>13</sup> / <sub>16</sub> |   |   |              |                |
| 12x10 | 33 <sup>7</sup> / <sub>16</sub> | 8 <sup>5</sup> / <sub>8</sub>   | 24 <sup>13</sup> / <sub>16</sub> |   |   |              |                |

**D45Y**  
Double Wye



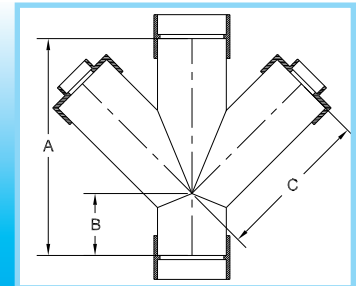
| Size: | A                               | B                               | C                               | D | E | WEIGHT<br>PP | WEIGHT<br>PVDF |
|-------|---------------------------------|---------------------------------|---------------------------------|---|---|--------------|----------------|
| 8     | 27 <sup>3</sup> / <sub>16</sub> | 7 <sup>13</sup> / <sub>16</sub> | 17 <sup>5</sup> / <sub>8</sub>  |   |   |              |                |
| 10    | 30 <sup>7</sup> / <sub>16</sub> | 8 <sup>1</sup> / <sub>4</sub>   | 20                              |   |   |              |                |
| 12    | 33 <sup>7</sup> / <sub>16</sub> | 8 <sup>5</sup> / <sub>8</sub>   | 22 <sup>7</sup> / <sub>16</sub> |   |   |              |                |

**LTY**  
Long Turn Wye



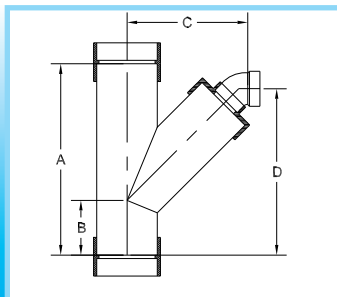
| Size: | A                               | B                               | C                               | D                               | E | WEIGHT<br>PP | WEIGHT<br>PVDF |
|-------|---------------------------------|---------------------------------|---------------------------------|---------------------------------|---|--------------|----------------|
| 8     | 27 <sup>3</sup> / <sub>16</sub> | 7 <sup>13</sup> / <sub>16</sub> | 20 <sup>1</sup> / <sub>2</sub>  | 20 <sup>1</sup> / <sub>4</sub>  |   |              |                |
| 10    | 30 <sup>7</sup> / <sub>16</sub> | 8 <sup>1</sup> / <sub>4</sub>   | 22 <sup>5</sup> / <sub>8</sub>  | 22 <sup>3</sup> / <sub>8</sub>  |   |              |                |
| 12    | 33 <sup>7</sup> / <sub>16</sub> | 8 <sup>5</sup> / <sub>8</sub>   | 24 <sup>9</sup> / <sub>16</sub> | 24 <sup>5</sup> / <sub>16</sub> |   |              |                |

**RD45Y**  
Reducing Double Wye



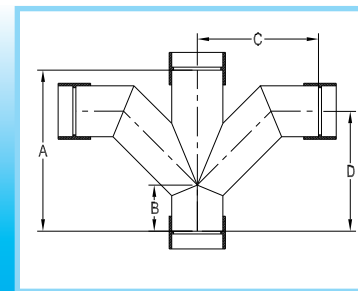
| Size: | A                               | B                               | C                                | D                                | E | WEIGHT<br>PP | WEIGHT<br>PVDF |
|-------|---------------------------------|---------------------------------|----------------------------------|----------------------------------|---|--------------|----------------|
| 8x6   | 7 <sup>3</sup> / <sub>16</sub>  | 7 <sup>13</sup> / <sub>16</sub> | 18 <sup>15</sup> / <sub>16</sub> | 23 <sup>11</sup> / <sub>16</sub> |   |              |                |
| 8x6   | 7 <sup>3</sup> / <sub>16</sub>  | 7 <sup>13</sup> / <sub>16</sub> | 20 <sup>1</sup> / <sub>2</sub>   | 24 <sup>3</sup> / <sub>16</sub>  |   |              |                |
| 10x6  | 30 <sup>7</sup> / <sub>16</sub> | 8 <sup>1</sup> / <sub>4</sub>   | 22 <sup>13</sup> / <sub>16</sub> | 27 <sup>3</sup> / <sub>8</sub>   |   |              |                |
| 10x8  | 30 <sup>7</sup> / <sub>16</sub> | 8 <sup>1</sup> / <sub>4</sub>   | 27 <sup>7</sup> / <sub>8</sub>   | 28 <sup>1</sup> / <sub>16</sub>  |   |              |                |
| 12x8  | 33 <sup>7</sup> / <sub>16</sub> | 8 <sup>5</sup> / <sub>8</sub>   | 29 <sup>11</sup> / <sub>16</sub> | 30 <sup>1</sup> / <sub>4</sub>   |   |              |                |
| 12x10 | 33 <sup>7</sup> / <sub>16</sub> | 8 <sup>5</sup> / <sub>8</sub>   | 30 <sup>7</sup> / <sub>16</sub>  | 30 <sup>7</sup> / <sub>16</sub>  |   |              |                |

**RLTY**  
Reducing Long Turn Wye



| Size: | A                               | B                               | C                                | D                                | E | WEIGHT<br>PP | WEIGHT<br>PVDF |
|-------|---------------------------------|---------------------------------|----------------------------------|----------------------------------|---|--------------|----------------|
| 8x6   | 7 <sup>3</sup> / <sub>16</sub>  | 7 <sup>13</sup> / <sub>16</sub> | 18 <sup>15</sup> / <sub>16</sub> | 23 <sup>11</sup> / <sub>16</sub> |   |              |                |
| 8x6   | 7 <sup>3</sup> / <sub>16</sub>  | 7 <sup>13</sup> / <sub>16</sub> | 20 <sup>1</sup> / <sub>2</sub>   | 24 <sup>9</sup> / <sub>16</sub>  |   |              |                |
| 10x6  | 30 <sup>7</sup> / <sub>16</sub> | 8 <sup>1</sup> / <sub>4</sub>   | 22 <sup>13</sup> / <sub>16</sub> | 27 <sup>3</sup> / <sub>8</sub>   |   |              |                |
| 10x8  | 30 <sup>7</sup> / <sub>16</sub> | 8 <sup>1</sup> / <sub>4</sub>   | 27 <sup>7</sup> / <sub>8</sub>   | 28 <sup>7</sup> / <sub>16</sub>  |   |              |                |
| 12x8  | 33 <sup>7</sup> / <sub>16</sub> | 8 <sup>5</sup> / <sub>8</sub>   | 29 <sup>11</sup> / <sub>16</sub> | 30 <sup>1</sup> / <sub>4</sub>   |   |              |                |
| 12x10 | 33 <sup>7</sup> / <sub>16</sub> | 8 <sup>5</sup> / <sub>8</sub>   | 30 <sup>7</sup> / <sub>16</sub>  | 30 <sup>7</sup> / <sub>16</sub>  |   |              |                |

**DLTY**  
Double Long Turn Wye

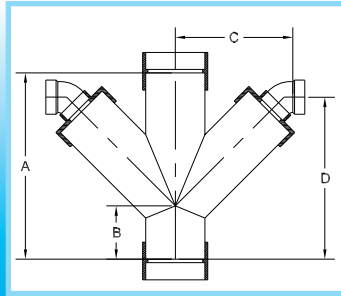


| Size: | A                               | B                               | C                               | D                               | E | WEIGHT<br>PP | WEIGHT<br>PVDF |
|-------|---------------------------------|---------------------------------|---------------------------------|---------------------------------|---|--------------|----------------|
| 8     | 27 <sup>3</sup> / <sub>16</sub> | 7 <sup>13</sup> / <sub>16</sub> | 20 <sup>1</sup> / <sub>2</sub>  | 20                              |   |              |                |
| 10    | 30 <sup>7</sup> / <sub>16</sub> | 8 <sup>1</sup> / <sub>4</sub>   | 22 <sup>5</sup> / <sub>8</sub>  | 22 <sup>3</sup> / <sub>8</sub>  |   |              |                |
| 12    | 33 <sup>7</sup> / <sub>16</sub> | 8 <sup>5</sup> / <sub>8</sub>   | 24 <sup>9</sup> / <sub>16</sub> | 24 <sup>5</sup> / <sub>16</sub> |   |              |                |

Available in Polypropylene

## RDLTY

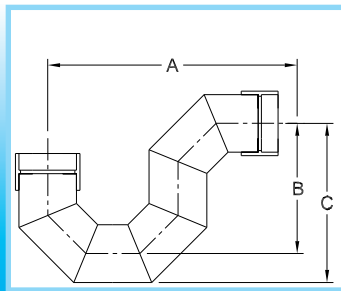
Reducing Double  
Long Turn Wye



| Size: | A                               | B                               | C                                | D                                | E | WEIGHT<br>PP | WEIGHT<br>PVDF |
|-------|---------------------------------|---------------------------------|----------------------------------|----------------------------------|---|--------------|----------------|
| 8x6   | 7 <sup>7</sup> / <sub>16</sub>  | 7 <sup>13</sup> / <sub>16</sub> | 18 <sup>15</sup> / <sub>16</sub> | 23 <sup>11</sup> / <sub>16</sub> |   |              |                |
| 8x6   | 7 <sup>7</sup> / <sub>16</sub>  | 7 <sup>13</sup> / <sub>16</sub> | 20 <sup>1</sup> / <sub>2</sub>   | 24 <sup>9</sup> / <sub>16</sub>  |   |              |                |
| 10x6  | 30 <sup>7</sup> / <sub>16</sub> | 8 <sup>3</sup> / <sub>4</sub>   | 22 <sup>13</sup> / <sub>16</sub> | 27 <sup>3</sup> / <sub>8</sub>   |   |              |                |
| 10x8  | 30 <sup>7</sup> / <sub>16</sub> | 8 <sup>3</sup> / <sub>4</sub>   | 27 <sup>7</sup> / <sub>8</sub>   | 28 <sup>1</sup> / <sub>16</sub>  |   |              |                |
| 12x8  | 33 <sup>7</sup> / <sub>16</sub> | 8 <sup>5</sup> / <sub>8</sub>   | 29 <sup>11</sup> / <sub>16</sub> | 30 <sup>1</sup> / <sub>4</sub>   |   |              |                |
| 12x10 | 33 <sup>7</sup> / <sub>16</sub> | 8 <sup>5</sup> / <sub>8</sub>   | 30 <sup>7</sup> / <sub>16</sub>  | 30 <sup>7</sup> / <sub>16</sub>  |   |              |                |

## PTRAP

P Trap



| Size: | A                              | B                              | C                              | D | E | WEIGHT<br>PP | WEIGHT<br>PVDF |
|-------|--------------------------------|--------------------------------|--------------------------------|---|---|--------------|----------------|
| 8     | 37 <sup>1</sup> / <sub>4</sub> | 19 <sup>1</sup> / <sub>2</sub> | 23 <sup>3</sup> / <sub>4</sub> |   |   |              |                |
| 10    | 40 <sup>1</sup> / <sub>2</sub> | 21 <sup>1</sup> / <sub>8</sub> | 27                             |   |   |              |                |
| 12    | 49                             | 22                             | 28                             |   |   |              |                |