



CSA Approved

The WATCHMAN VPT has been designed to provide the most visible and reliable valve position indication for general purpose applications. Check out the unique features:

- Clear Ektar cover offers excellent chemical resistance and strength
- Environmentally sealed indicator on the top of the unit prevents fogging or entry of contaminants
- Indicator is 100% adjustable to any valve or actuator
- Internal Switches and terminal block are labeled for easier installation
- Indicator shaft is secured to the housing with Moniteur's engineered Loc-Ring Cam and Shaft Retention System, ensuring sensing accuracy
- The industry's only "true" visual valve position indicator available for multi-port valves, adjustable to match the physical location of the valve
- "Flat cover" version available without indicator
- Optional thermoplastic quick-mount bracket for NAMUR actuators
- Available with Moniteur's wide variety of switches and sensors for today's advanced control systems

**rated nema 4, 4x**



### Visual Indicator Options

Black / Yellow		3-way Path O	
Green / Red		3-way Path T	
Red / Green		3-way Path F	
ANSI Red / White		4-way Path S	
ANSI Green / White		180°	
ANSI Blue / White		120°	

Please see other side for ordering information.



## Intelligent Part Number System

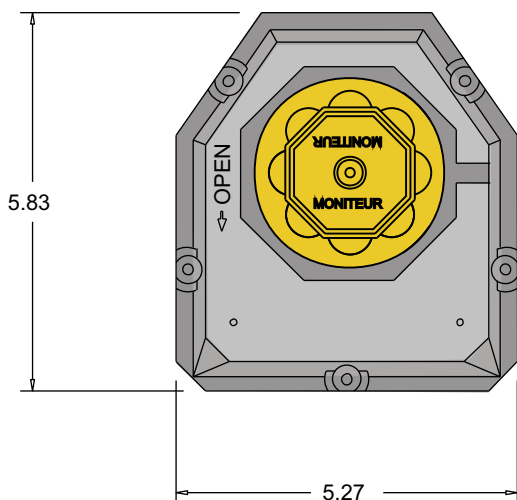
<b>F</b>	<b>M</b>	<b>Y</b>	<b>B</b>	<b>-</b>	<b>5</b>	<b>1</b>	<b>2</b>	<b>0</b>
Series	Cover	Moniteur	Bearing		Shaft	Switch	Quantity	Conduit

<b>Base unit includes:</b>	Black / Yellow indicator Aluminum Enclosure (2) 1/2" NPT conduit entries	2 SPDT 15A mechanical switches Bronze bearings Low profile NAMUR shaft
----------------------------	--	--

Description	Code	Description	Code	Description	Code
<b>Series: Watchman</b>	F	<b>Bearing</b>		Rhodium TTL 1A	T
<b>Cover</b>		Bronze	B	SPDT Non-Contact	
Moniteur	M	303 Stainless Steel	S	Bifurcated TTL	B
Flat Cover	F	<b>Shaft</b>		SPST Non-Contact	
<b>Moniteur</b>		Standard 303 SS	1	P&F NJ2-V3 NAMUR	8
No Indicator	N	Standard 316 SS	3	Inductive Sensor	
Black / Yellow	Y	NAMUR 303 SS	5	Moniteur NEO-X 0.3A	A
3-Way Path O,T, F	O,T, F	NAMUR 316 SS	7	NO Sensor	
4-Way Path	S	Long NAMUR 303 SS	E	<b>Switch Quantity</b>	1-4
180 degree T port	1	<b>Switch Type (2 switches)</b>		<b>Conduit</b>	
120 degree	3	Cherry 15A	1	(2) 1/2" F NPT	0
Green / White	G	SPDT Mechanical		(3) 1/2" F NPT	6
Red / White	R	Tungsten TTL 3A	2	(1) 1/2" F + (1) 1/2" M NPT	8
Blue / White	B	SPDT Non-Contact		<b>Options</b>	
Green / Red	A	Prism Gold Plated 1A	3	Current 4 - 20mA	- 420
Red / Green	C	SPDT Mechanical		Resistive 0 - 1k	- 1K
0-100%	P	ITW 10A	4	High Temperature	-T1
		DPDT Mechanical			

### Dimensions

### Top View

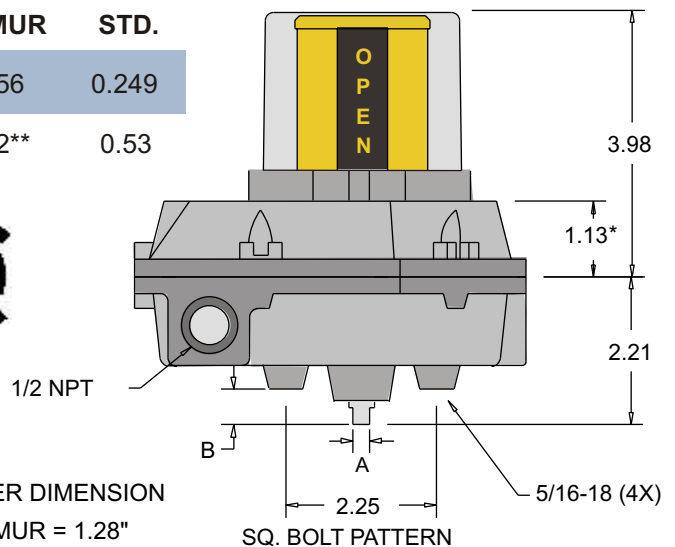


### NAMUR STD.

A	0.156	0.249
B	0.62**	0.53



### Side View



\* - FLAT COVER DIMENSION

\*\* - LONG NAMUR = 1.28"