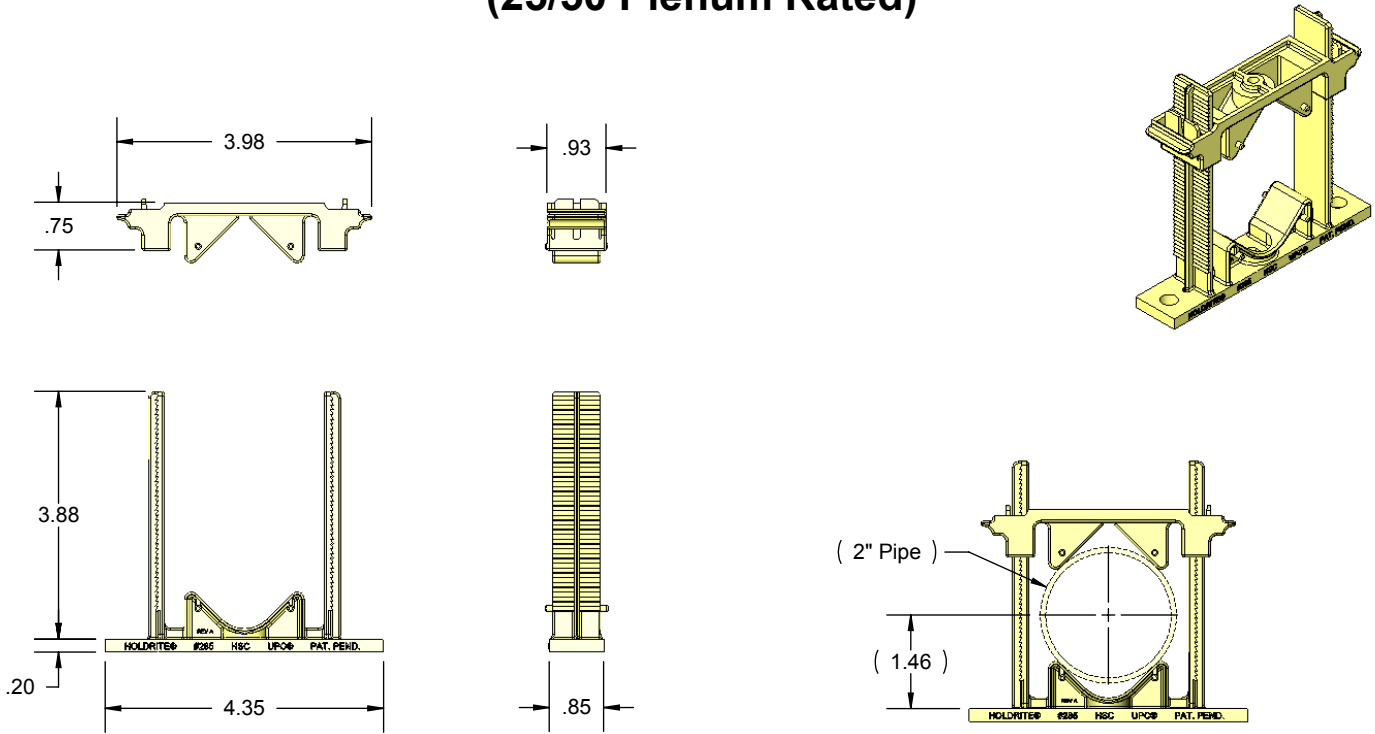


PRODUCT SPECIFICATION DRAWING

HOLDRITE® FLAME FIGHTER™ #285-S

(25/50 Plenum Rated)

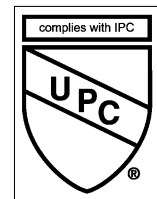


ALL DIMENSIONS IN INCHES

The HOLDRITE Stout Clamp™ #285-S is a fire retardant and smoke variable closure clamp. Clamp supports 1" to 2" CTS/IPS tubing sizes. Supports Copper, PEX, CPVC tubing, conduit, etc. Material meets ASTM E-84 25/50 and UL94V-0 fire rating.

Product Information:

- Material: Kynar Flex, Yellow, UL94V-0
- Temperature range: -20°F to +200°F
- Load rating: 75 lbs in suspended mode, 300 lbs maximum in top mount
- UPC / IPC / IAPMO listed



THIS INFORMATION IS PROPRIETARY TO HUBBARD ENTERPRISES AND IS SUBJECT TO CHANGE WITHOUT NOTICE. ANY REPRODUCTION IN PART OR WHOLE WITHOUT THE WRITTEN PERMISSION OF HUBBARD ENTERPRISES IS PROHIBITED.

.....HUBBARD ENTERPRISES.....
HOLDRITE®
"Converting Makeshift Methods into Engineered Solutions"

Product Submittal	
Job Name:	
Date:	
Part Number:	Qty:
Architect / Owner:	
Contractor:	
Notes:	