

Industrial Contractor Series

Airshore trench shoring systems are simple to use, light enough to hand carry, may be transported in the back of a pick-up truck, require no special training to assemble and offer incredible protection for anyone working below grade. Airshore's Industrial Contractor Series is easy to use, transport and is built from the finest materials. Airshore products provide the flexibility you need in today's competitive environment — an outstanding value.



Single Wall Aluminum Panel Systems

- Meets OSHA and Canadian Regulations
- Light-Weight; Easy to Assemble with the flexibility to create a custom workspace
- May be used with all static and adjustable spreaders as well as pneumatic standard and swivel struts
- Available in 2 and 4 foot heights
- Applicable to 12 foot depths in C60 soils
- End shoring may be used to create a trench box
- Legs, wheel kits and accessories complete the package



Side Single Wall Trench Panels (Available in 2' and 4' Heights – Sets of 2)

End Single Wall Trench Shield Panels (Sold as single unit)

2' Height	4' Height	2' Height
LPS-26 2' x 6' (0.6 x 1.85 m) 107 lbs (48 kg)	LPS-45 4' x 5' (1.2 x 1.5 m) 169 lbs (77 kg)	LPS-23ES 2' x 3' (0.6 x 0.9 m) 25 lbs (11 kg)
LPS-27 2' x 7' (0.6 x 2.2 m) 117 lbs (53 kg)	LPS-46 4' x 6' (1.2 x 1.85 m) 185 lbs (84 kg)	LPS-24ES 2' x 4' (0.6 x 1.2 m) 28 lbs (13 kg)
LPS-28 2' x 8' (0.6 x 2.5 m) 128 lbs (58 kg)	LPS-47 4' x 7' (1.2 x 2.2 m) 201 lbs (91 kg)	LPS-25ES 2' x 5' (0.6 x 1.5 m) 32 lbs (14 kg)
LPS-210 2' x 10' (0.6 x 3.1 m) 148 lbs (67 kg)	LPS-48 4' x 8' (1.2 x 2.5 m) 218 lbs (99 kg)	4' Height
	LPS-410 4' x 10' (1.2 x 3.1 m) 250 lbs (114 kg)	LPS-43ES 4' x 3' (1.2 x 0.9 m) 50 lbs (23 kg)
	LPS-412 4' x 12' (1.2 x 3.7 m) 282 lbs (128 kg)	LPS-44ES 4' x 4' (1.2 x 1.2 m) 55 lbs (25 kg)
		LPS-45ES 4' x 5' (1.2 x 1.5 m) 60 lbs (27 kg)

Single Wall Aluminum Panel Accessories



LPS-SCA1

Static Collar with Pin

5" x 5" x 4" (13 x 13 x 10 cm)

2.25 lbs (1 kg)

Two are required with each static spreader



CW-6LD

6' Lifting Sling

0.375" x 6' (1 x 182 cm)

30 lbs (14 kg)

Light Duty – Four corner lifting of trench shield systems Capacity 6400 lbs



189A100

Pin with Keyring & Lynch Pin

ø .625" x 4.5" (ø 1.6 x 11.4 cm)



189A078

Pin with Keyring & Lynch Pin

ø .5" x 7.25" (ø 1.3 x 18.4 cm)



LPS-LL

Steel Lifting Handles

5" x 5" x 4" (13 x 13 x 10 cm)

4 lbs (2 kg)

Set of Two – Two normally used with each side panel for sling lifting



LPS-WHK

Wheel Assembly

16" x 18" x 20" (41 x 46 x 51 cm)

19 lbs - each (9 kg)

Set of Four – Allows in-ground shifting of trench shield to active work area

ASM-0009

Lynch Pin

ø 1.5"

Secure cross pins.

Keep a few extra on hand



ASM-0010

Key Ring



ST-4

Stacking Tubes with Pins

3.5" x 8" (with pin) 1.25 lbs - each (1 kg)

Set of Four – Used for securing shields at 4 corners for stacking to 12' max

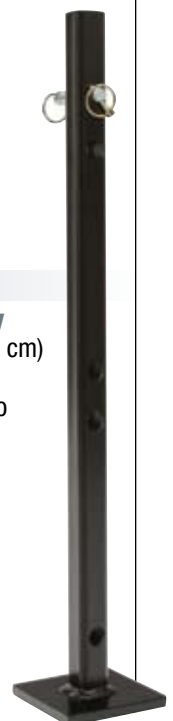
LPS-LK4

Adjustable Leg Assembly

5" x 5" x 34" (13 x 13 x 86 cm)

9 lbs - each (4 kg)

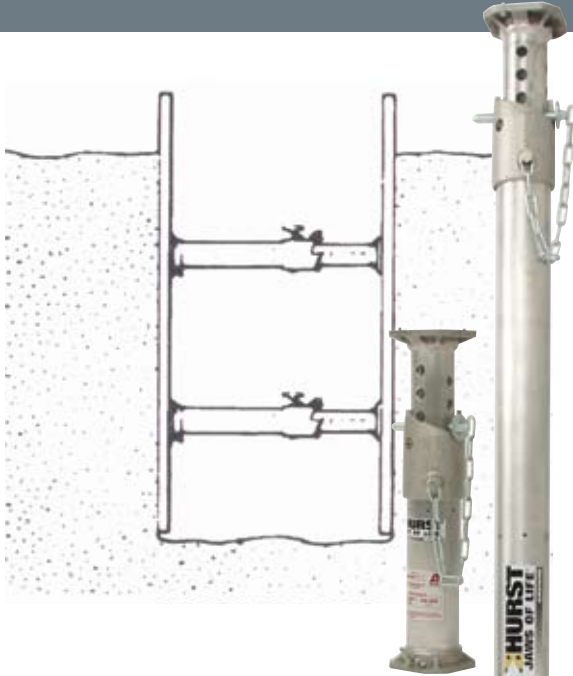
Set of Four – Provides up to 24" over utility clear area



Struts

- Environmentally Safe – No Hydraulic Fluids
- Meet OSHA and Canadian Regulations
- Adapt to any trench design
- Available in 7 lengths with adjustment from 18" - 146"
- Operate with pressures to 350 PSI
- Provides thrust of up to 2,500 pounds
- Fixed and swivel end types

Simply activate with compressed air to exert pressure on the trench wall, Airshore Aluminum Trench Shield or approved wall shield (Finn Form), then set the locking pin and release the pressure. The strut is now a fixed mechanical unit maintaining pressure to the trench walls.



Airshore Pneumatic Standard Strut

AS-A (Shown)

Standard "A"

18" - 27" (46 - 69 cm) 12 lbs (5.5 kg)

AS-B

Standard "B"

23" - 36" (58 - 92 cm) 14 lbs (6.4 kg)

AS-C

Standard "C"

30" - 48" (76 - 122 cm) 17 lbs (7.7 kg)

AS-D

Standard "D"

42" - 66" (107 - 168 cm) 22 lbs (10 kg)

AS-E

Standard "E"

60" - 96" (152 - 244 cm) 30 lbs (13.6 kg)

AS-F

Standard "F"

90" - 120" (229 - 305 cm) 35 lbs (15.9 kg)

AS-G (Shown)

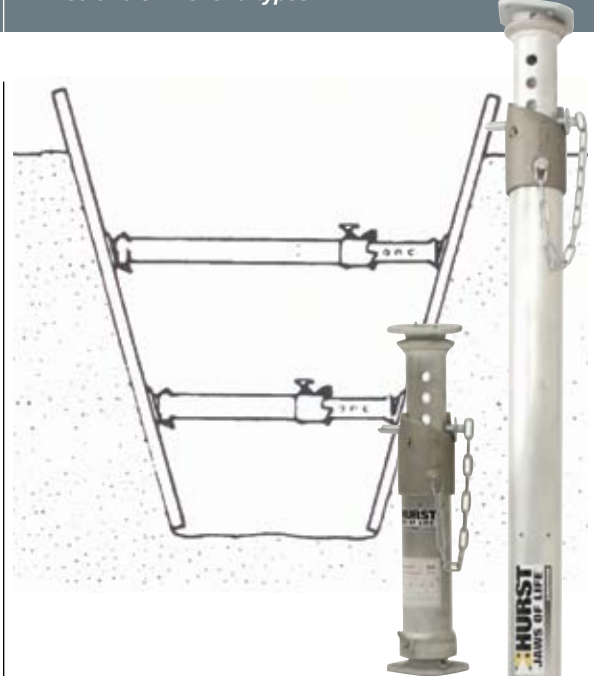
Standard "G"

114" - 144" (290 - 366 cm) 40 lbs (18.1 kg)

AS-E12

12" Industrial Extension

4.88" x 4.88" x 16.3" (12.3 x 12.3 x 41.4 cm)
7 lbs (3.2 kg)



Airshore Pneumatic Swivel Strut

AS-SA (Shown)

Swivel "A"

21" - 29" (53 - 74 cm) 14 lbs (6.4 kg)

AS-SB

Swivel "B"

25" - 38" (66 - 97 cm) 16 lbs (7.3 kg)

AS-SC

Swivel "C"

33" - 50" (84 - 127 cm) 19 lbs (8.6 kg)

AS-SD

Swivel "D"

45" - 68" (114 - 173 cm) 24 lbs (10.9 kg)

AS-SE

Swivel "E"

63" - 98" (160 - 245 cm) 32 lbs (14.5 kg)

AS-SF

Swivel "F"

93" - 122" (236 - 310 cm) 37 lbs (16.8 kg)

AS-SG (Shown)

Swivel "G"

117" - 146" (297 - 371 cm) 42 lbs (19 kg)

AS-E24

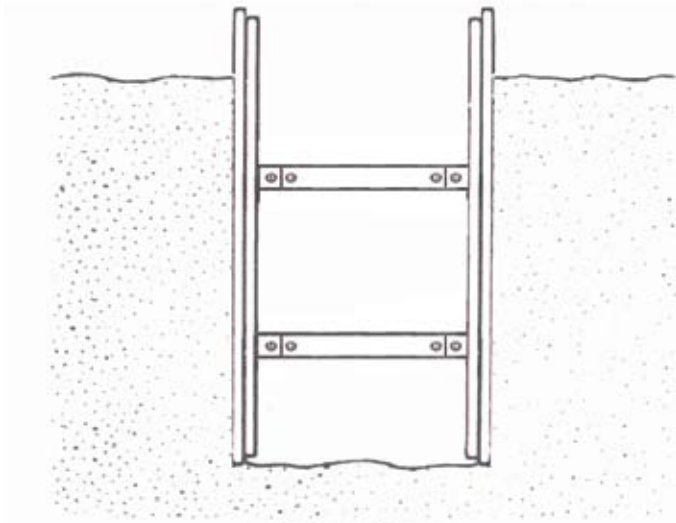
24" Industrial Extension

4.88" x 4.88" x 28.3" (12.3 x 12.3 x 71.8 cm)
9.5 lbs (4.3 kg)

These extensions can only be used with the Standard Pneumatic Strut

Spreaders

- Lightweight and extremely durable
- Use with Airshore Trench Shields or Multi-Shore accessories
- Static spreaders available in 15 sizes from 12" - 96"
- Adjustable spreaders available in 5 sizes from 19" - 97"
- Meet OSHA and Canadian Regulations



Static Spreader*

SS12 12" x 3" (30 x 8 cm) 2.7 lbs (1.2 kg)	SS60 60" x 3" (152 x 8 cm) 13.3 lbs (6 kg)
SS18 18" x 3" (46 x 8 cm) 4 lbs (1.8 kg)	SS66 66" x 3" (168 x 8 cm) 14.6 lbs (6.6 kg)
SS24 (Shown) 24" x 3" (61 x 8 cm) 5.3 lbs (2.4 kg)	SS72 72" x 3" (183 x 8 cm) 15.9 lbs (7.2 kg)
SS30 30" x 3" (76 x 8 cm) 6.6 lbs (3 kg)	SS78 78" x 3" (198 x 8 cm) 17.2 lbs (7.8 kg)
SS36 36" x 3" (91 x 8 cm) 8 lbs (3.6 kg)	SS84 84" x 3" (213 x 8 cm) 18.6 lbs (8.4 kg)
SS42 42" x 3" (107 x 8 cm) 9.3 lbs (4.2 kg)	SS90 90" x 3" (229 x 8 cm) 19.9 lbs (9 kg)
SS48 48" x 3" (122 x 8 cm) 10.6 lbs (4.8 kg)	SS96 96" x 3" (244 x 8 cm) 21.2 lbs (9.6 kg)
SS54 54" x 3" (137 x 8 cm) 11.9 lbs (5.4 kg)	

Adjustable Aluminum Spreader

AAS-13 (Shown) 19" - 31" (48-78.7 cm) 11 lbs (5 kg)
AAS-23 25" - 37" 63.5-94 cm 13 lbs (6 kg)
AAS-30 30" - 48" 76-122 cm 15 lbs (6.8 kg)
AAS-35 37" - 61" (94-155 cm) 18 lbs (13 kg)
AAS-58 (Shown) 61" - 97" (155-246 cm) 28 lbs (13 kg)

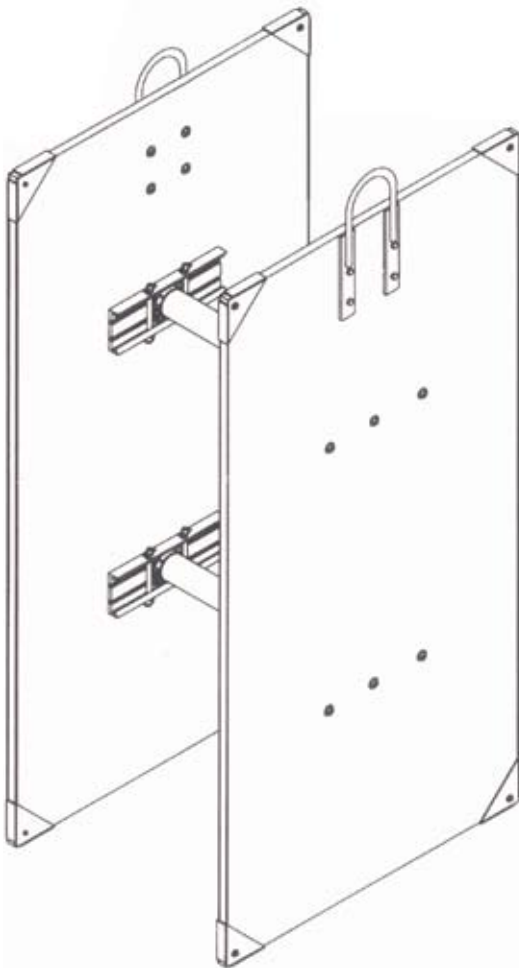
*Requires 2 Static Collars per Strut.

Multi-Shore

- Easy installation & removal while the operator is above ground when used with Airshore Pneumatic Struts
- Light Weight
- Engineering certified
- Meets OSHA and Canadian regulations
- Kits may be used with 6 – 8 Ft or 10 – 12 Ft Panels
- Handles may be used with overhead slings
- Components assembled in minutes

The complete Multi-Shore unit is lowered into the trench and expanded pneumatically to apply pressure to the walls while the operator remains above ground. Once the pressure is applied, the operator enters the trench to set the patented Airshore collar to mechanically lock the strut in place.

ASM-K8 Kit is designed for 6' or 8' Tall Systems* and ASM-K12 Kit for 10' or 12' Tall Systems.*



ASM-K8 ASM-K12

Quantity	Quantity	Part	Name
2	2	ASM002	Set consists of: 4 Steel Corners with Mounting Hardware (for Finn Form*)
1	1	ASM003	Set consists of: 2 Handles with Mounting Hardware
2	3	ART-RR18	Set consists of: 2 - 18" (0.5 m) Waler with Mounting Hardware (4" - 18" Rails with Pins)

52 lbs (24 kg) 66 lbs (30 kg) Total Kit Weight

* System Requires Finn Form and 2 Struts



Steel Corners



Handles



18" Waler

Multi-Shore Accessories



LPS-0127B

Quick Release Pin

Ø .5" x 6" -Grip (Ø 1.3 x 15.2 cm)

Used to secure struts to the 18" waler



189A078

Pin with Keyring & Lynch Pin

Ø .5" x 7.25" (Ø 1.3 x 18.4 cm)

ASM-0009

Lynch Pin

Ø 1.5"

Secure cross pins.

Keep a few extra on hand



ASM-0010

Key Ring



ASM003

Handles

1" x 10" x 18" (2.5 x 25 x 56 cm)

9 lbs (4 kg)

Set of Two with Mounting Hardware

– Placing of Finn Form shoring is made easier with this accessory



ART-RR18

18" Waler

1.5" x 5.75" x 18" (4 x 5 x 46 cm)

6 lbs (3 kg)

Set of Two with Mounting Hardware

– The perfect foothold for Airshore struts and spreaders



ASM002

Steel Corners

1.5" x 6" x 6" (4 x 15 x 15 cm)

2 lbs (1 kg)

Set of Four with Mounting Hardware

– Steel corners protect the shoring corners for longer life



AIR-DVR

Dump Valve

6.75" x 4" x 1.5"

(15.24 x 10.2 x 3.8 cm)

1.25 lbs (0.6 kg)

A safe, convenient and durable valve for Airshore pneumatic systems

ASM007

3 - 4.5' Lifting Sling (shown right)

36" - 54" (91 - 137 cm)

25 lbs (11 kg)

ASM008

5 - 8' Lifting Sling

60" - 96" (152 - 244 cm)

43 lbs (20 kg)

Used for two point lifting of Multi-Shore trench shoring systems.

Lifting capacity 3,500 lbs



Air Supply



AIR-33RA1

Single Air Supply

For Multi-Shore use with 1 compressed air bottle
Consists of: AIR-DVR, PAI-0002RA1, PAI-0007B, PAI-0009BK
10 lbs (4.5 kg)



AIR-33RA2

Dual Air Supply

For Multi-Shore use with 2 compressed air bottles
Consists of:
AIR-DVR, PAI-0002RA2, PAI-0007B, PAI-0009BK
10 lbs (4.5 kg)



AIR-34

Hose Assembly

Consists of: AIR-DVR, PAI-0009BK, PAI-0007B
7 lbs (3.2 kg)



AIR-ASM3

3-Way Manifold

11' x 0.5" (3.35m x 1.27 cm)
7 lbs (3.2 kg)



AIR-ASM2

2-Way Manifold

8' x 0.5" (2.44 m x 1.27 cm)
4 lbs (1.8 kg)
For Multi-Shore



PAI-0007B-Blue (shown)

PAI-0007R-Red

15' Whip Hose

15' x 0.375"
(4.6 m x 0.95 cm)
2.5 lbs (1.1 kg)



PAI-0009BK-Black (shown)

PAI-0009R-Red

35' Supply Hose

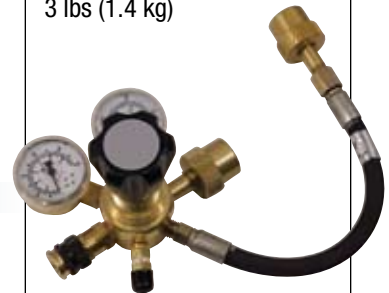
35' x 0.375"
(10.7 m x 0.95 cm)
5.5 lbs (2.5 kg)



PAI-0002RA1

Low Pressure Regulator

For use with Airshore Struts
3000 PSI / 204 BAR
6.5" x 5" x 4"
(16.5 x 12.7 x 10.2 cm)
3 lbs (1.4 kg)



PAI-0002RA2

Dual Low Pressure Regulator

For Airshore Struts; use with
2 compressed air bottles
3000 PSI / 204 BAR
5.5" x 14.5" x 19.5"
(14 x 37 x 49.5 cm)
3 lbs (1.4 kg)



266A151

Breathing Air Adapter

2" x 1" x 1"
(5.1 x 2.5 x 2.5 cm)
0.25 lbs (0.11 kg)