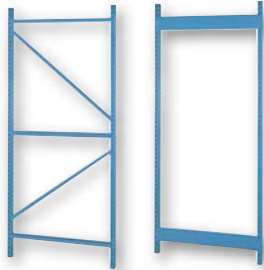


Bulk Storage Rack Uprights and Beams

Upright Assemblies

- Choose fully welded set-up or K.D. upright.
- Welded upright has tubular bracing, mig-welded to post for durability and quick installation.
 - Upright: 1 3/4" x 1 9/16", 14-gauge.
 - Adjustment: 1/2" centers.



Set-Up Welded

K.D. w/ Braces and Posts

COLOR INFORMATION, choose from the following

- in stock** Dove Gray Add Prefix **DD** to Cat. No.
- Putty Add Prefix **PP** to Cat. No.
- WedgeWood Blue Add Prefix **BB** to Cat. No.

K.D. Upright Posts - 10,000 lb. cap. per pair.

K.D. Ladder Braces - Use as replacement, or as a component.

| Height | Cat. No. |
|--------|----------|
| 60" | 63602 |
| 72" | 63603 |
| 84" | 63604 |
| 96" | 63605 |
| 120" | 63607 |
| 144" | 63609 |

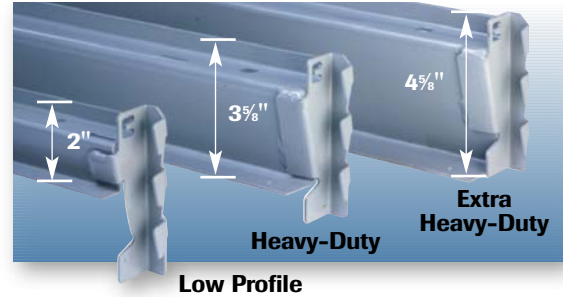
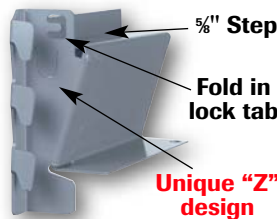
| Depth | Cat. No. |
|-------|----------|
| 15" | 63515 |
| 18" | 63518 |
| 24" | 63524 |
| 30" | 63530 |
| 36" | 63536 |
| 42" | 63542 |
| 48" | 63548 |

| Depth | 60" High | | 72" High | | 84" High | | 96" High | | 120" High | | 144" High | |
|-------|----------|-------|----------|-------|----------|-------|----------|-------|-----------|-------|-----------|-------|
| | Set-Up | K.D.* | Set-Up | K.D.* | Set-Up | K.D.* | Set-Up | K.D.* | Set-Up | K.D.* | Set-Up | K.D.* |
| 15" | N/A | 63152 | N/A | 63153 | N/A | 63154 | N/A | 63155 | N/A | 63157 | N/A | 63159 |
| 18" | N/A | 63182 | N/A | 63183 | N/A | 63184 | N/A | 63185 | N/A | 63187 | N/A | 63189 |
| 24" | 64242 | 63242 | 64243 | 63243 | 64244 | 63244 | 64245 | 63245 | 64247 | 63247 | 64249 | 63249 |
| 30" | 64302 | 63302 | 64303 | 63303 | 64304 | 63304 | 64305 | 63305 | 64307 | 63307 | 64309 | 63309 |
| 36" | 64362 | 63362 | 64363 | 63363 | 64364 | 63364 | 64365 | 63365 | 64367 | 63367 | 64369 | 63369 |
| 42" | 64422 | 63422 | 64423 | 63423 | 64424 | 63424 | 64425 | 63425 | 64427 | 63427 | 64429 | 63429 |
| 48" | 64482 | 63482 | 64483 | 63483 | 64484 | 63484 | 64485 | 63485 | 64487 | 63487 | 64489 | 63489 |

*NOTE: K.D. Upright includes two posts and two or more bolt on ladder braces.

Heavy and Extra Heavy-Duty "Z" Beams

Unique "Z" beam design increases strength and load capacity, resists tipping and eliminates wasted space, front-to-back. Beam clips are mig-welded for added strength. Fold in lock tab easily engages for security against displacement.



Low-Profile Beams

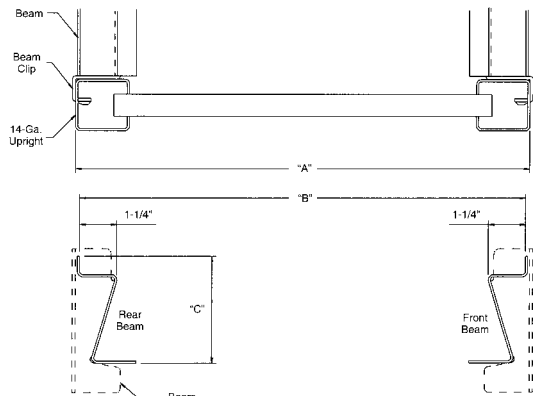
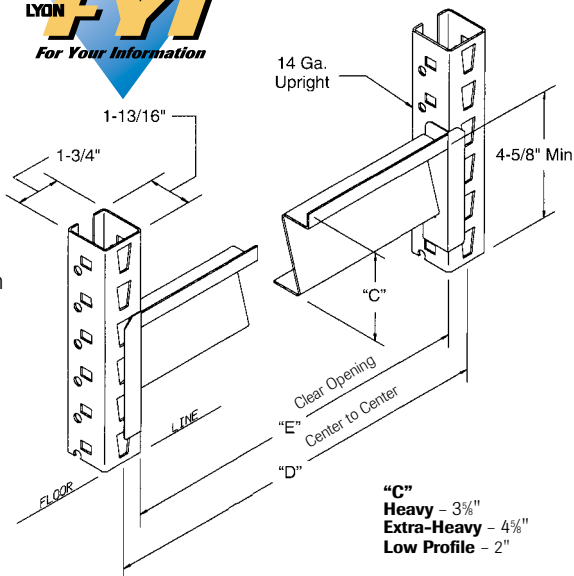
Low-profile beams offer light weight, high-density alternative for commercial applications. Narrow height design increases vertical storage capacity.

Capacities shown are maximum safe evenly distributed static loads per pair of beams with front-to-back support. Upright capacities are based on beam centers no greater than 36".

| Nominal | Actual | "D" | "E" | Heavy-Duty Beam | | Extra-Heavy Duty Beam | | Low Profile Beam | |
|---------|---------|-----------|-----------|-----------------|-------|-----------------------|-------|------------------|------|
| Width | Width | | | Cat. No. | Cap. | Cat. No. | Cap. | Cat. No. | Cap. |
| 48" | 48 1/2" | 50 15/32" | 48 23/32" | 62148 | 3,300 | N/A | N/A | 62048 | 665 |
| 60" | 60 1/2" | 62 15/32" | 60 23/32" | 62160 | 2,600 | N/A | N/A | 62060 | 530 |
| 72" | 72 1/2" | 74 15/32" | 72 23/32" | 62172 | 1,900 | 62272 | 3,300 | 62072 | 440 |
| 84" | 84 1/2" | 86 15/32" | 84 23/32" | 62184 | 1,775 | N/A | N/A | 62084 | 380 |
| 96" | 96 1/2" | 98 15/32" | 96 23/32" | 62196 | 1,650 | 62296 | 3,300 | 62096 | 330 |

Dimensions For Bulk Storage Racks

When figuring floor space for Lyon bulk storage racks, first add 4 7/32" to nominal beam length for width of single section, then add 2 15/32" to nominal beam length for each additional section. Then, add 3/16" to nominal depth of upright assembly. Also, Racks must be level and plumb and installed per assembly instruction #10206-AA.



| Nom. Rack Depth | Rack Depth "A" | Inside Depth "B" |
|-----------------|----------------|------------------|
| 15" | 15 5/16" | 15 1/4" |
| 18" | 18 5/16" | 18 1/4" |
| 24" | 24 5/16" | 24 1/4" |
| 30" | 30 5/16" | 30 1/4" |
| 36" | 36 5/16" | 36 1/4" |
| 42" | 42 5/16" | 42 1/4" |
| 48" | 48 5/16" | 48 1/4" |