

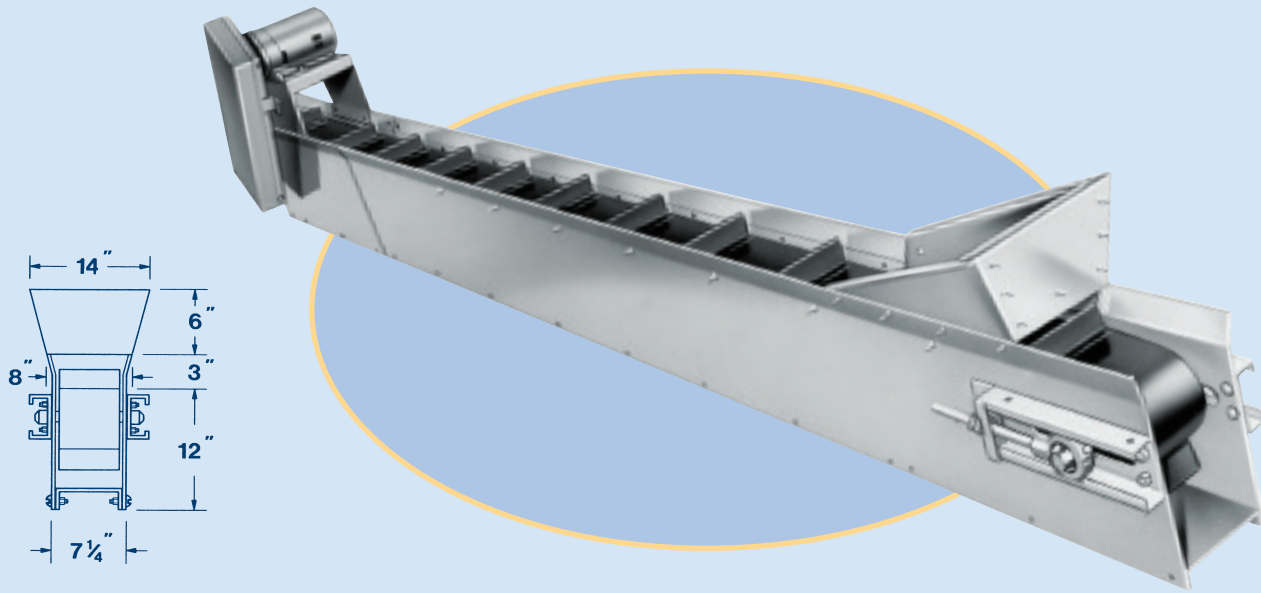
Hopper-veyors

HV SERIES SPECIFICATIONS:

1/4 or 1/2 HP 115/1/60 Gear Motor ♦ .125 Alum. Formed Frame ♦ 6" Wide PVC Belt with 1" or 2" Cleats on 12" Centers ♦ 300 FPM ♦ 6" Pulleys ♦ Capacity: 300 lbs.

HV SERIES

MODEL NUMBER			Over-All Length Ft	Gear Motor Horsepower	Weight Lbs
Rough-Top Belting	1 Inch Rubber Cleats	2 Inch Rubber Cleats			
HV-08-RT	HV-08-RC-1	HV-08-RC-2	8	¼	240
HV-12-RT	HV-12-RC-1	HV-12-RC-2	12	¼	308
HV-16-RT	HV-16-RC-1	HV-16-RC-2	16	½	376
HV-20-RT	HV-20-RC-1	HV-20-RC-2	20	½	425



Pocket-veyors

This pocket-veyor design has taken every industry in the U.S.A. by storm. For product that must be contained within the belt.



PV SERIES SPECIFICATIONS:

1/2 HP 115/1/60 ♦ 11 Ga. Construction ♦ 120 PVC Belt ♦ 2" Cleats on 12" Centers ♦ 60 FPM ♦ 6" Pulleys ♦ Capacity: 300 lbs.

PV SERIES

Model No	Belt Width In	Frame Width In	Cleat Height In	Over-All Length Ft	Weight Lbs
PV-12	12	16	2	10	684
PV-18	18	22	2	10	818
PV-24	24	28	2	10	992

OPTIONAL STYLES

