



# Battery Operated 4" Smoke Alarm

Model 0914

Part Number 0914E

## Test Button

Tests unit's electronic circuitry, horn and battery function

## Discreet Design

Four (4) inch diameter



## Description

The Fire Sentry 0914E smoke alarm is a battery operated smoke alarm utilizing ionization sensing technology. The four (4) inch unit is smaller in diameter giving it discreet design with the same quality you would expect in a Kidde manufactured product. The 0914E is powered by a 9V battery, providing continuous protection, even during power outages. This easy to install unit includes a test button to verify the detection electronics are working as intended.

## Consumer Benefits

The Fire Sentry 0914E battery operated, single station smoke alarm provides an early warning signal to you and your family in the event of a smoke or fire incident. The 0914E operates on a 9V battery power source that provided continuous protection even during a power outage. Installation is easy, no wiring required. This unit is UL Listed and includes a 3 year limited warranty.

## Features and Benefits

- **Battery Operated (9V Battery Included)** – Easy installation and provides continuous protection even during power outages.
- **Test Button** – Tests unit's electronic circuitry, horn and battery function.
- **Low Battery Indicator** – Low battery warning chirp alerts user to change battery.
- **Discreet Design** – Four (4) inch diameter.



## Architectural and Engineering Specifications

The smoke alarm shall be Kidde Model Number 0914E or approved equal. It shall be powered by a 9V battery. The unit shall incorporate an ionization smoke sensor with nominal sensitivity of 1.13%/ft. The temperature operating range shall be between 40°F and 100°F (4°C and 38°C) and the humidity operating range shall be 5% - 95% relative humidity.

The alarm can be installed on the surface of any wall or ceiling following the UL/NFPA/Manufacturer's recommended placement guidelines.

The alarm shall include a test button that will electronically simulate the presence of smoke and cause the unit to go into alarm. This sequence tests the unit's electronics, battery and horn to ensure proper operation.

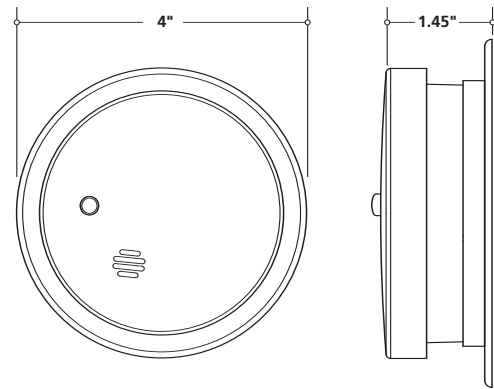
The unit shall include a piezoelectric horn that is rated at 85 decibels at 10 feet. The alarm shall produce the ANSI S3.41 three pulse temporal pattern audible emergency evacuation signal.

The unit shall also indicate a low battery warning utilizing a brief alarm chirp every 30-40 seconds for a minimum of seven (7) days.

The smoke alarm shall at a minimum meet the requirements of UL 217, NFPA 72, The California State Fire Marshall, NFPA 101 (One and two family dwellings) Federal Housing Authority (FHA). It shall also include a 3-year manufacturer's limited warranty.

## Technical Specifications

Model Number:	0914
UPC Number:	0-25417-09145-8
Power Source:	9V Battery (included)
Audio Alarm:	85dB at 10ft
Temperature Range:	40°F to 100°F (4°C to 38°C)
Humidity Range:	5%-95% relative humidity (RH)
Sensor:	Ionization
Size:	4" in diameter x 1.45" depth
Weight:	.5lbs
Interconnects:	No
Warranty:	3 year limited



## Ordering Information

Single Pack UPC: 0-25417-09145-8

Part Number	I 2 of 5	Pack Quantity	Dimensions (w x d x h inches)	Weight	Case/Skid	Layers/Skid	Skid Weight
0914E**	N/A	Individual	5 x 1.5 x 4.75	.5lbs	N/A	N/A	N/A
0914E	200 25417 09145 2	Master Pack (12 units)	5.25 x 10.5 x 10.75	6lbs	128	16	768lbs

\*\*Not for sale by individual unit



UNIT



MASTER PACK



1394 South Third Street, Mebane NC 27302  
1-800-880-6788 • www.kiddeus.com

**Distributed by:**