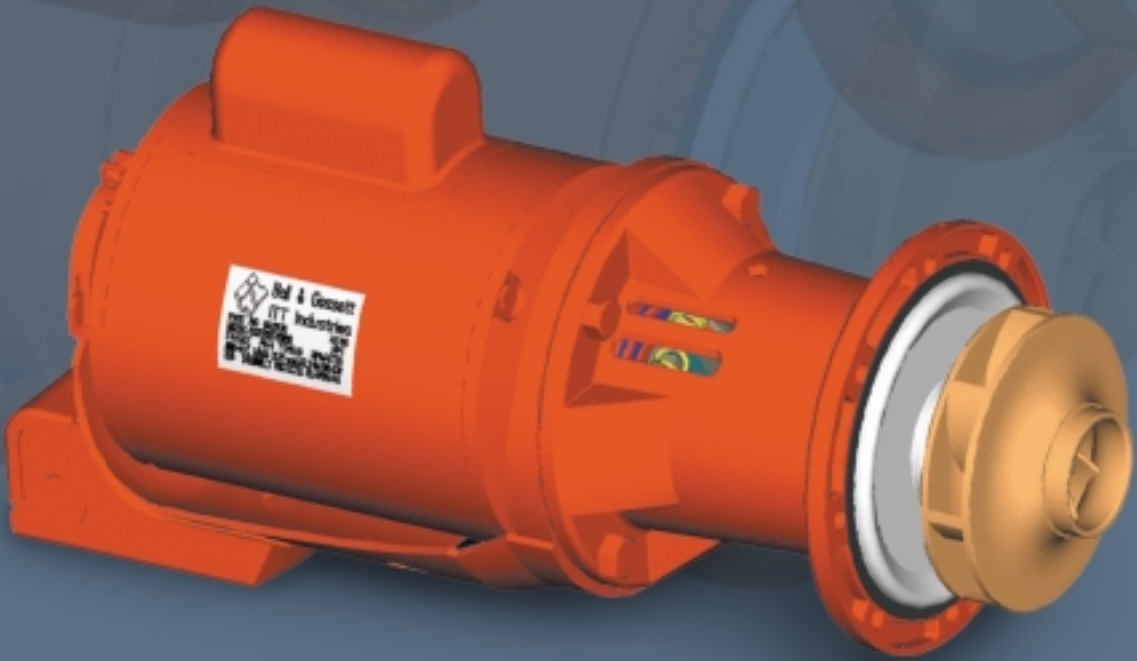




*Introducing the NEW, MAINTENANCE-FREE Series 60
Centrifugal Pump for header pump applications.*

Series 60 In-Line Mounted Centrifugal Pump



Bell & Gossett



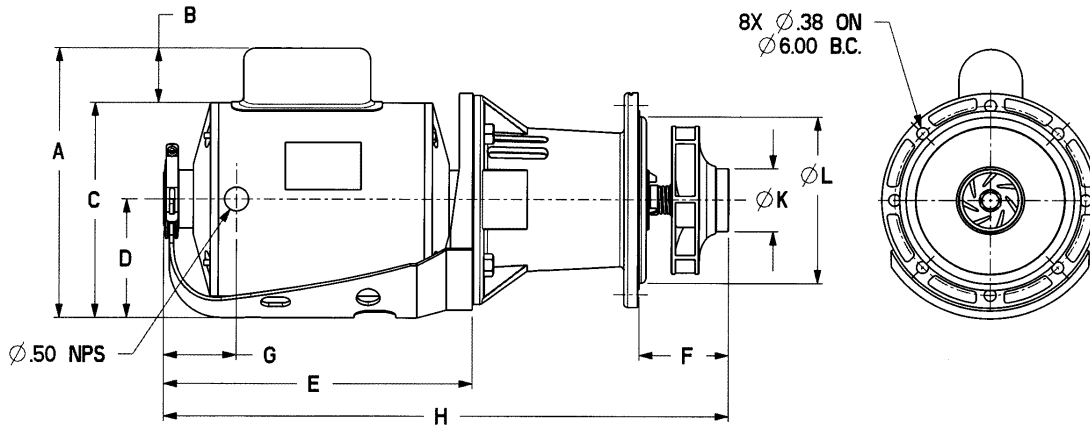
ITT Industries
Engineered for life



NEW Series 60 In-Line Mounted Centrifugal Pump

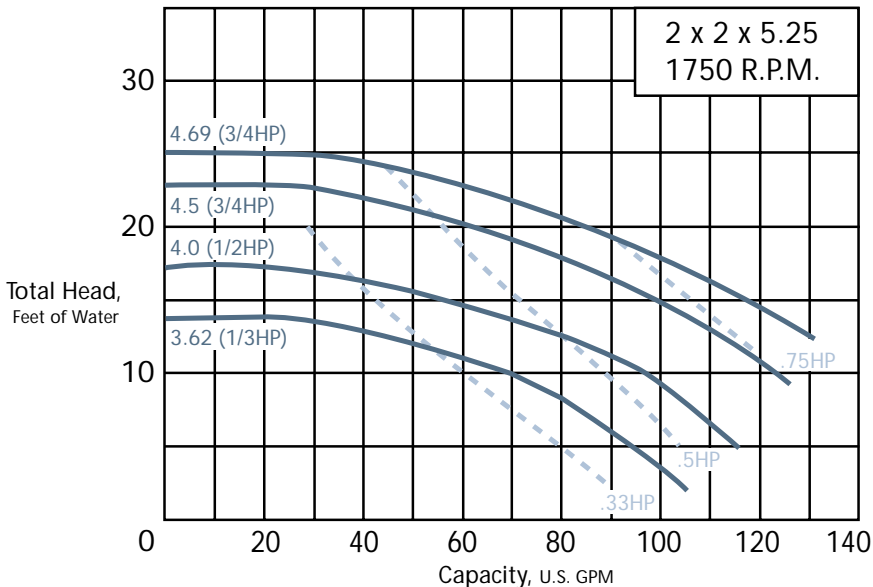
Description

A maintenance-free, in-line, cast iron centrifugal pump for header pump applications.



Mtr HP	A	B	C	D	E	F	G	H	K	L
1/3 HP	8.56	2.25	6.81	3.75	8.8	2.88	1.88	14	1.99	5.28
1/2 HP	8.56	2.25	6.81	3.75	9.8	2.88	1.88	15	1.99	5.28
3/4 HP	8.56	2.25	6.81	3.75	9.8	2.88	1.88	15	1.99	5.28

Performance Characteristic Curve



Product Features

- Maintenance-free pump
- Internally self-flushing mechanical seal
- XLII® lubrication system
- Three-year warranty*
- Factory test
- ISO 9001 Certified
- EPDM coupling

Volts _____, Encl. _____
Special _____

Specifications

_____ GPM _____ FT.

Materials of Construction

- Impeller Cast Bronze
- Shaft Alloy Steel
- Shaft Sleeve Copper Alloy
- Bracket Cast Iron with Stainless Steel Face Plate
- Mechanical Seal Buna/Carbon - Ceramic (Standard) (-20°F to 225°F)

Operating Data

Maximum working pressure175 psi
Operating temperature225°F

* Materials and workmanship only.

For more information on the new Bell & Gossett Series 60 In-Line Mounted Centrifugal Pump, contact your B&G representative.

8200 N. Austin Avenue
Morton Grove, Illinois 60053
Phone: (847) 966-3700
Fax: (847) 966-9052
www.bellgossett.com

Bell & Gossett

