



ITT

BCBASIN R4

Wastewater

CentriPro

Fiberglass Basins, Covers, Hatches,
Access Doors and Accessories



CentriPro[®]

CentriPro is a brand of ITT Corporation.

www.centripro.com

FEATURES

- Fiberglass Basins - heavy duty construction, standard sizes to 72" Dia. and 96" Deep, custom basins to 20' deep available by quote request.
- Solid Covers - Fiberglass and steel available
- Simplex Covers - Fiberglass and steel available
- Duplex Covers - Fiberglass and steel available
- Hatch Covers - Steel, single and double door
- Access Doors - Aluminum, single and double door, standard and heavy duty
- Pipe Grommets - Use for Inlet or Discharge Connections
- Discharge Hubs - Cast iron caulking type and NPT Threaded
- Float Switch Brackets - several models to choose from
- Junction Boxes - boxes and cord grips
- Cord Grips - designed to be installed in fiberglass covers
- Cord Seals - seal around electric cord entry holes

Engineered for life



ITT

CENTRIPRO Wastewater

WASTEWATER BASINS

Order No.	Options ①	Dimensional Data				Approx.		Weight (lbs.)		
		A	B	C	D	Total Gallons	Gallons Per Inch	Fiberglass Standard Basin	with "F" suffix	with "S" suffix
A7-2436	F or S	24	36	22	26.5	65	1.81	40	60	107
A7-2448		24	48	21.3		84	1.75	50	70	117
A7-2460		24	60	20.7		102	1.70	59	79	126
A7-2472F	S	24	72	20	26.5	118	1.64	NA	89	136
A7-2484F		24	84	24		165	1.96	NA	116	163
A7-2496F		24	96	24		188	1.96	NA	125	172
A7-3036	F or S	30	36	28.5	32.5	110	3.00	46	80	148
A7-3048		30	48	28		137	2.85	59	92	160
A7-3060		30	60	27.5		169	2.82	90	104	172
A7-3072F	S	30	72	27	32.5	199	2.76	NA	147	214
A7-3084F		30	84	30		257	3.05	NA	162	230
A7-3096F		30	96	30		294	3.06	NA	177	245
A7-3636	F or S	36	36	34.5	38.5	159	4.41	64	103	195
A7-3648		36	48	34		200	4.17	78	118	210
A7-3660		36	60	33.5		246	4.10	93	132	224
A7-3672F	S	36	72	33	38.5	291	4.04	NA	207	299
A7-3684F		36	84	36		370	4.40	NA	226	318
A7-3696F		36	96	36		423	4.40	NA	244	336
A7-4248	F or S	42	48	40	44.5	274	5.71	116	167	288
A7-4260		42	60	39.5		339	5.65	139	190	310
A7-4272F	S	42	72	39	44.5	402	5.58	NA	245	365
A7-4284F		42	84	42		504	6.00	NA	272	393
A7-4296F		42	96	42		576	6.00	NA	300	420
A7-4848	F or S	48	48	46	51	361	7.52	136	200	353
A7-4860		48	60	45.5		446	7.43	161	226	378
A7-4872F	S	48	72	45	51	529	7.34	NA	325	477
A7-4884F		48	84	48		658	7.83	NA	364	516
A7-4896F		48	96	48		752	7.83	NA	402	554
A7-6078F	S	60	78	60	63	955	12.24	NA	580	807
A7-6084F		60	84	60		1028	12.23	NA	608	836
A7-6096F		60	96	60		1175	12.23	NA	666	893
A7-7278F	S	72	78	72	75	1375	17.62	NA	826	1143
A7-7284F		72	84	72		1481	17.63	NA	865	1183
A7-7296F		72	96	72		1692	17.63	NA	945	1262

① An "F" suffix = fiberglass and "S" = steel anti-floatation collar. Basins are not predrilled for inlet and discharge hubs. Dimensions and weights are based on Topp Industries, Inc. specifications.

STANDARD FEATURES

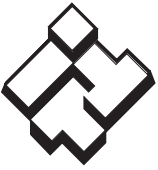
- Heavy duty fiberglass construction with 3/16" wall thickness (minimum).
- Designed to withstand hydrostatic pressure of 120 lbs. per cu. ft.
- Maximum fluid temperature: 140° F (60° C).
- Standard sizes:
 - 24" – 72" diameter.
 - 36" – 96" deep.
- Fiberglass anti-floatation collars are standard on models with an "F" suffix on the order number.
- Basins are not factory drilled for inlet or discharge hubs.

OPTIONS

- Optional sizes with depths to 20' are available: contact Customer Service for price quote and availability.
- Steel anti-floatation collars (denoted by "S" suffix) are available: contact Customer Service for price quote and availability.
- Inlet hubs and inlet grommets – order separately, see chart on this bulletin.
- Discharge hubs – order separately, see chart on this bulletin.
- **Add an "F" suffix to order an optional fiberglass anti-floatation collar.**
- Add an "S" suffix to order an optional steel anti-floatation collar. This requires a price quote from customer service.

Note: Fiberglass and steel anti-floatation collars are molded as an integral part of the basin (built-in) and not something that can be added in the field.

- Optional Suffix - Mounting studs for slide rails available as custom.
SMS = Simplex Studs
DMS = Duplex Studs



ITT

CENTRIPRO Wastewater

SOLID FIBERGLASS COVER

- Heavy duty fiberglass construction.
- Construction provides corrosion resistant gas tight design.
- Unique flange connection allows superior sealing capability.
- Light weight for easy installation.
- Available in 24" through 48" diameters.
- Optional float switch cord grips available (see basin accessories).

SOLID STEEL COVER

- Heavy duty steel construction.
- Black epoxy coating is applied to each cover.
- Available in 24" through 48" diameters.
- Optional float switch cord grips available (see basin accessories).

DIMENSIONAL DATA

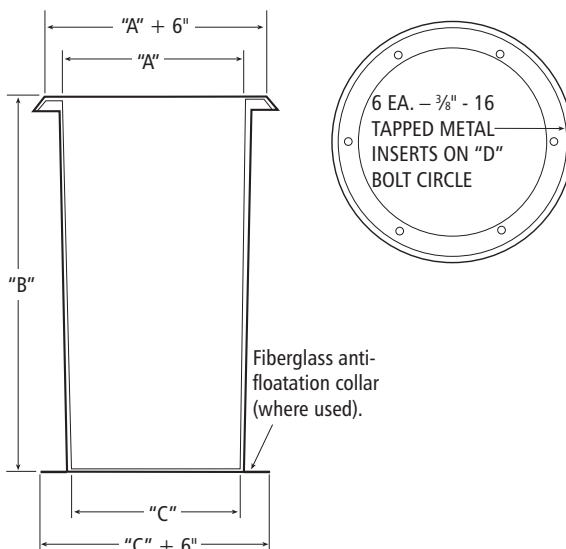
Order No.	A Basin Inside Dia.	B Cover Outside Dia.	C Cover Bolt Circle	D Material Thickness
A8-24F	24	28	26.5	.25
A8-30F	30	34	32.5	.375
A8-36F	36	40	38.5	.375
A8-42F	42	46	44.5	.50
A8-48F	48	54	51.0	.50

DIMENSIONAL DATA

Order No.	A Basin Inside Dia.	B Cover Outside Dia.	C Cover Bolt Circle	D Material Thickness
A8-24T	24	28	26.5	.25
A8-30T	30	34	32.5	.25
A8-36T	36	40	38.5	.25
A8-42T	42	46	44.5	.25
A8-48T	48	54	51.0	.25

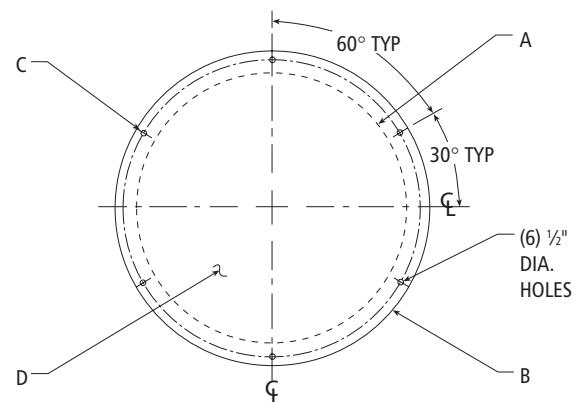
(All dimensions are in inches and weights in lbs. Do not use for construction purposes.)

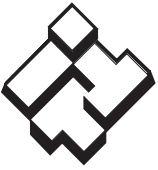
BASIN DIMENSION DRAWING



COVER DIMENSION DRAWING

Stainless Steel Hardware Standard –
Gasket Tape Provided





ITT

CENTRIPRO Wastewater

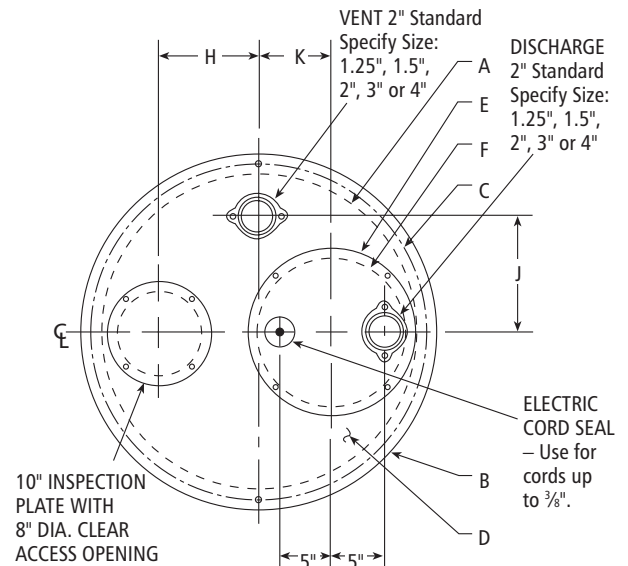
SIMPLEX FIBERGLASS PUMP COVER

- Heavy duty fiberglass construction.
- Construction provides corrosion resistant gas tight design.
- Unique flange connection allows superior sealing capability.
- Light weight for easy installation.
- Pump access and switch inspection plates furnished as standard.
- Available in 24" through 48" diameters.
- Optional float switch cord grips available (see basin accessories).

SIMPLEX STEEL PUMP COVER

- Heavy duty steel construction.
- Black epoxy coating is applied to each cover.
- Pump access and switch inspection plates furnished as standard.
- Available in 24" through 48" diameters.
- Optional float switch cord grips available (see basin accessories).

STAINLESS STEEL HARDWARE STANDARD – GASKET TAPE PROVIDED



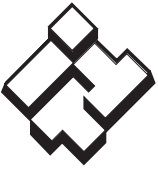
SIMPLEX FIBERGLASS PUMP COVER DIMENSIONAL DATA

Order No.	A Cover Inside Dim.	B Cover Outside Dim.	C Cover Bolt Circle	D Cover Thickness	E Access Plate Dim.	F Clear Access Dim.	G Distance	H Distance	J Distance	K Distance
A8-24FS	24	28	26.5	.25	16	14	NA	7.75	10	5.50
A8-30FS	30	34	32.5	.25	18	16	NA	9.50	11	7.00
A8-36FS	36	40	38.5	.25	18	16	NA	13.00	14	7.00

SIMPLEX STEEL PUMP COVER DIMENSIONAL DATA

Order No.	A Cover Inside Dim.	B Cover Outside Dim.	C Cover Bolt Circle	D Cover Thickness	E Access Plate Dim.	F Clear Access Dim.	G Distance	H Distance	J Distance	K Distance
A8-24TS	24	28	26.5	.25	16	14	NA	7.75	10	5.50
A8-30TS	30	34	32.5	.25	18	16	NA	9.50	11	7.00
A8-36TS	36	40	38.5	.25	18	16	NA	13.00	14	7.00
A8-42TS	42	46	44.5	.25	22	20	NA	14.00	14	10.00
A8-48TS	48	54	51.0	.25	22	20	NA	18.00	20	9.00
A8-60TS	60	66	63.0	.375	28	26	NA	15.50	25	15.50

(All dimensions are in inches and weights in lbs. Do not use for construction purposes.)



ITT

CENTRIPRO Wastewater

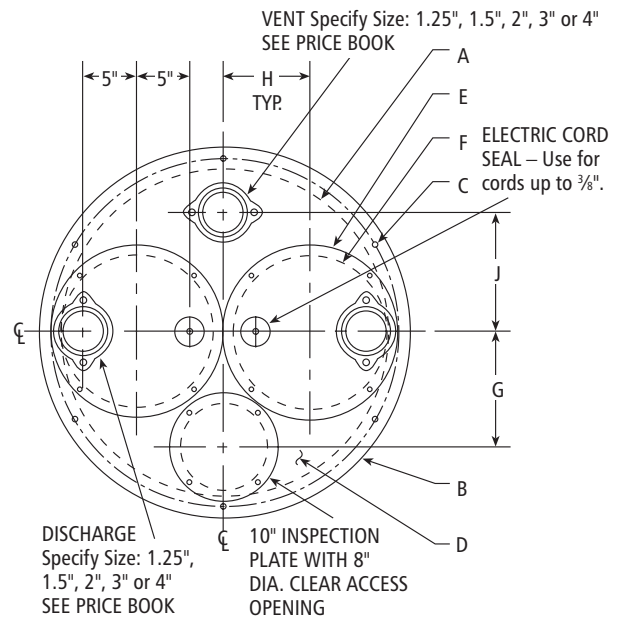
DUPLEX FIBERGLASS PUMP COVER

- Heavy duty fiberglass construction.
- Construction provides corrosion resistant gas tight design.
- Unique flange connection allows superior sealing capability.
- Light weight for easy installation.
- Two pump access and one switch inspection plate furnished as standard.
- Available in 30" through 36" diameters.
- Optional float switch cord grips available (see Basin Accessories).

DUPLEX STEEL PUMP COVER

- Heavy duty steel construction.
- Black epoxy coating is applied to each cover.
- Two pump access and one switch inspection plate furnished as standard.
- Available in 24" through 48" diameters.
- Optional float switch cord grips available (see Basin Accessories).

STAINLESS STEEL HARDWARE STANDARD – GASKET TAPE PROVIDED



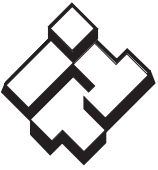
DUPLEX FIBERGLASS PUMP COVER DIMENSIONAL DATA

Order No.	A Basin Inside Dim.	B Cover Outside Dim.	C Bolt Circle	D Cover Thickness	E Access Plate Dim.	F Clear Access Dim.	G Distance	H Distance	J Distance
A8-30FD	30	34	32.5	.25	16	14	10.50	8.00	11
A8-36FD	36	40	38.5	.25	18	16	13.00	10.00	14

DUPLEX STEEL PUMP COVER DIMENSIONAL DATA

Order No.	A Basin Inside Dim.	B Cover Outside Dim.	C Bolt Circle	D Cover Thickness	E Access Plate Dim.	F Clear Access Dim.	G Distance	H Distance	J Distance
A8-30TD	30	34	32.5	.25	16	14	10.50	8.00	11
A8-36TD	36	40	38.5	.25	18	16	13.00	10.00	14
A8-42TD	42	46	44.5	.25	22	20	14.00	10.00	14
A8-48TD	48	54	51.0	.25	22	20	18.00	12.00	20
A8-60TD	60	66	63.0	.375	28	26	15.50	15.50	25
A8-72TD	72	78	75.0	.375	28	26	15.50	15.50	30

(All dimensions are in inches and weights in lbs. Do not use for construction purposes.)



ITT

CENTRIPRO
Wastewater

SINGLE DOOR STEEL HATCH COVER

- Heavy duty steel construction.
- Black epoxy coating is applied to each cover.
- Single door design provides large opening for easy access to pump and controls.
- Available in 30" through 42" diameters.

DOUBLE DOOR STEEL HATCH COVER

- Heavy duty steel construction.
- Black epoxy coating is applied to each cover.
- Double door design provides easy access to pump and controls.
- Available in 48" through 72" diameters.

SINGLE DOOR STEEL HATCH COVER DIMENSIONAL DATA

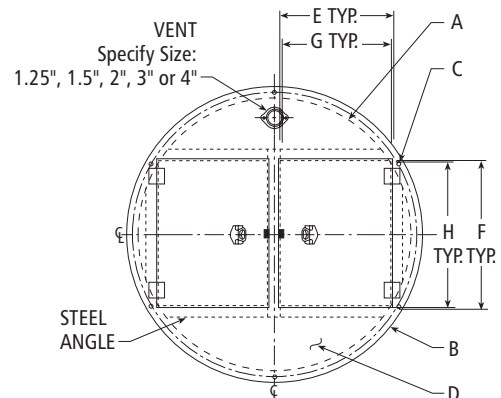
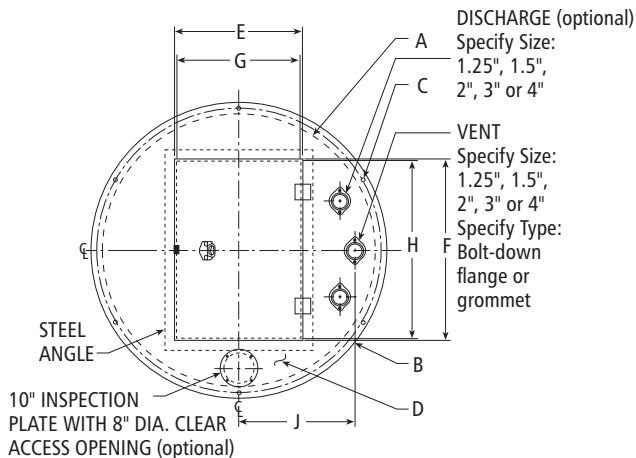
Order No.	A Basin Inside Dimension	B Cover Outside Dimension	C Cover Bolt Circle	D Cover Thickness	E Hatch Door Width	F Hatch Door Length	G Clear Access Width	H Clear Access Length	J Dist.
A8-30H1	30	34	32.5	.25	17	23	16	22	13
A8-36H1	36	40	38.5	.25	21	25	20	24	16
A8-42H1	42	46	44.5	.25	23	33	22	32	19

DOUBLE DOOR STEEL HATCH COVER DIMENSIONAL DATA

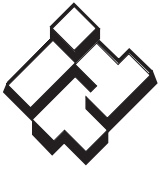
Order No.	A Basin Inside Dimension	B Cover Outside Dimension	C Cover Bolt Circle	D Cover Thickness	E Hatch Door Width	F Hatch Door Length	G Clear Access Width	H Clear Access Length
A8-48H2	48	54	51	.250	18	25	17	24
A8-60H2	60	66	63	.375	21	31	20	30
A8-72H2	72	78	75	.375	25	41	24	40

(All dimensions are in inches and weights in lbs. Do not use for construction purposes.)

STAINLESS STEEL HARDWARE STANDARD – GASKET TAPE PROVIDED



Aluminum covers available – call for quote.

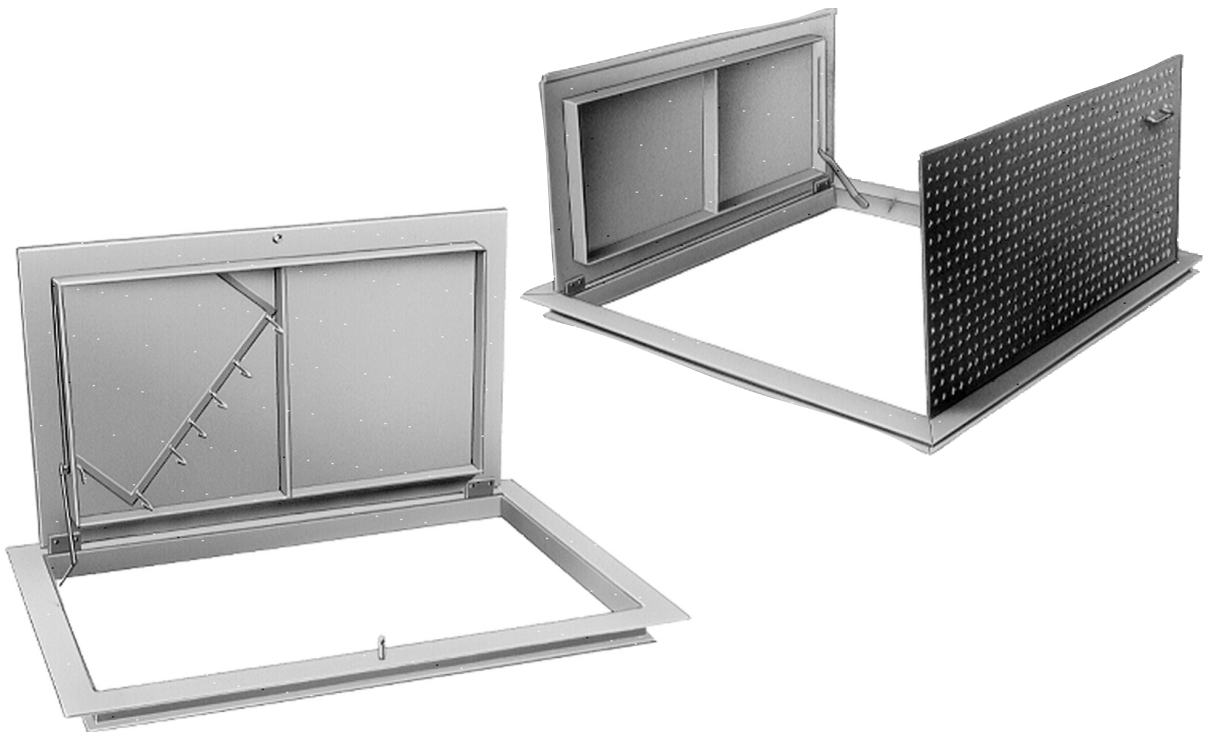


ITT

CENTRIPRO Wastewater

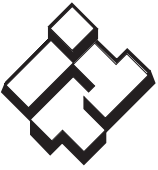
ACCESS DOORS FEATURES

- **All Aluminum Construction:** Frames and doors are 1/4" thick, one-piece extruded construction. Concrete anchors are included.
- **Stainless Steel Hardware:** Hinges, and all tamper-proof fasteners are 400 series stainless steel.
- **Door Panels:** Diamond plate design, opens to 90° and locks automatically in that position. Stainless steel locking arm and release handle supplied as standard equipment.
- **Additional Features:** Standard stainless steel handle, locking bar and snap-lock with removable key handle.
- **Custom Designs Available:** Contact your distributor with your requirements.



Order No.	Size		Construction
A3030	30" x 30"	Single	Standard Duty 150 lb./sq. ft. Load Rated
A3048	30" x 48"	Door	
A3648	36" x 48"		
A4848	48" x 48"	Double	
A4854	48" x 54"	Door	
AHD3048	30" x 48"	Single	* Heavy Duty (H-20)
AHD3648	36" x 48"	Door	
AHD4848	48" x 48"	Double Door	

* Doors are reinforced for wheel loadings encountered in off-road areas, driveways, or parking lots where traffic is limited to slow moving vehicles. Doors are not designed to be installed in areas of high volume, fast moving, stop and go traffic. Dimensions are not the same as standard duty doors. Contact factory for dimensions.

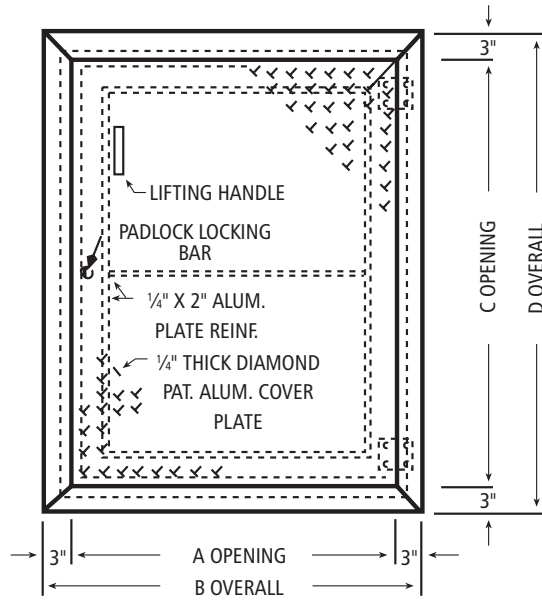


ITT

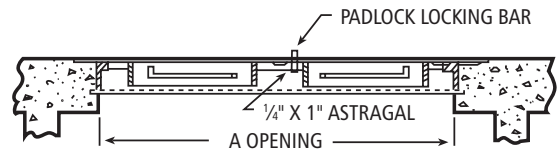
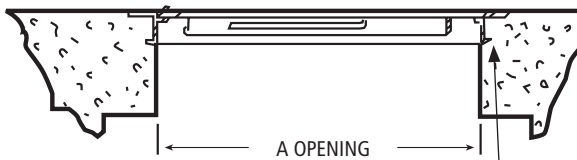
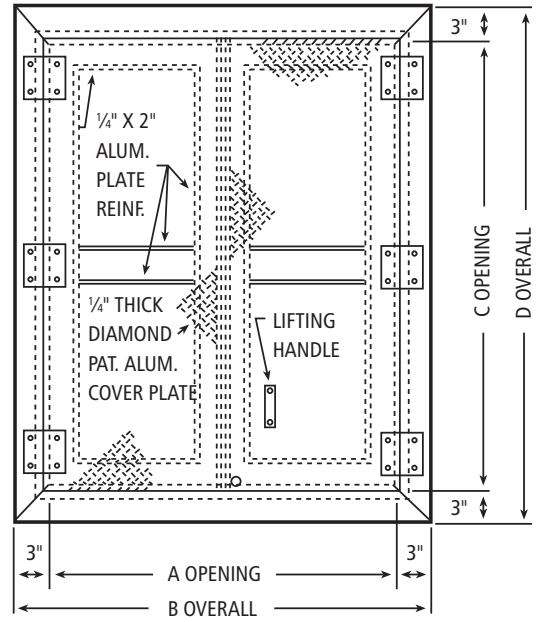
CENTRIPRO Wastewater

ACCESS DOORS DIMENSIONS AND WEIGHTS

SINGLE DOOR



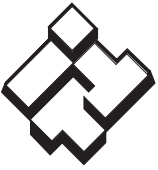
DOUBLE DOOR



* These doors have a 3/4" lip around the bottom of the frame. This lip must be taken into account when dry-mounting the door in a pre-cut hole.

Model No.	Dimensions				Lift Wt. (lbs.)	Ship Wt. (lbs.)
	A	B	C	D		
A3030	30"	36"	30"	36"	12	44
A3048	30"	36"	48"	54"	20	70
A3648	36"	42"	48"	54"	24	84

Model No.	Dimensions				Lift Wt. (lbs.)	Ship Wt. (lbs.)
	A	B	C	D		
A4848	48"	54"	48"	54"	18	112
A4854	48"	54"	54"	60"	20	126



ITT

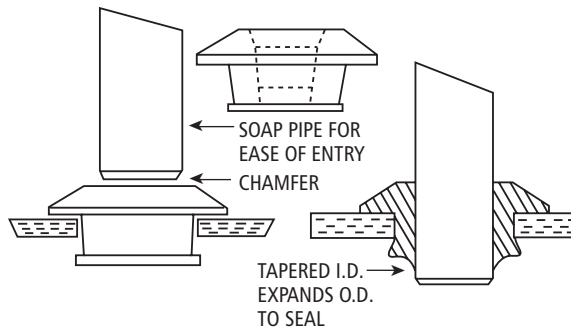
CENTRIPRO Wastewater

PIPE GROMMETS FOR ALL BASINS AND COVERS

Alcryn Thermoplastic can be used for basin inlet, discharge and vent connections.

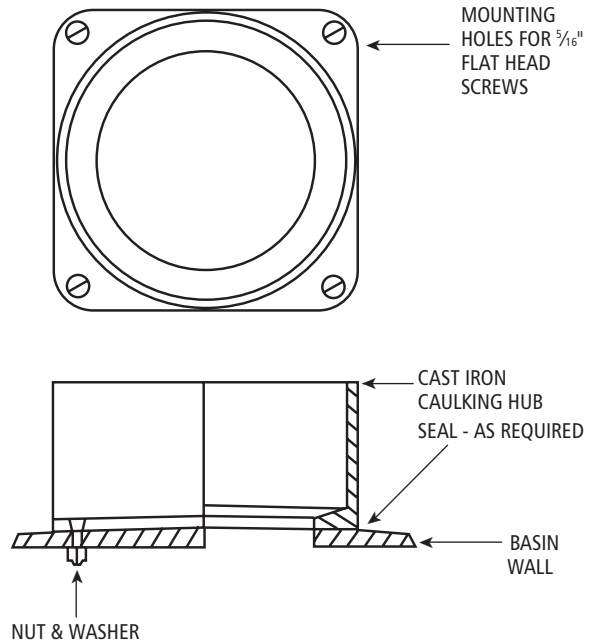
Thermoplastic Uniseal Inlet Grommet		
Order No.	Pipe Size	Required Hole Diameter
A8-2U	2"	3"
A8-24U	2"	4"
A8-3U	3"	4"
A8-4U	4"	5"
A8-4DU	4" Double Seal	5"
A8-6U	6" Seal	7"

PIPE GROMMET DETAIL



4", 6" AND 8" CAST IRON INLET HUBS FOR FIBERGLASS BASINS

Inlet Caulking Hubs	
Order No.	Description
A8-4	4" Cast Iron
A8-6	6" Cast Iron
A8-8	8" Cast Iron

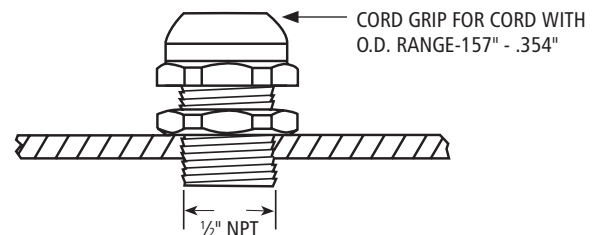


CORD GRIP FOR FIBERGLASS BASIN COVERS

Inspection plate modification (for level control[s]).

Suffix No.	No. of Cord Grips
CG1	1
CG2	2
CG3	3
CG4	4

NOTE: Add above suffix number to Fiberglass Basin Cover order number for installation at factory or order required quantity of CG-1 Grips for field installation.



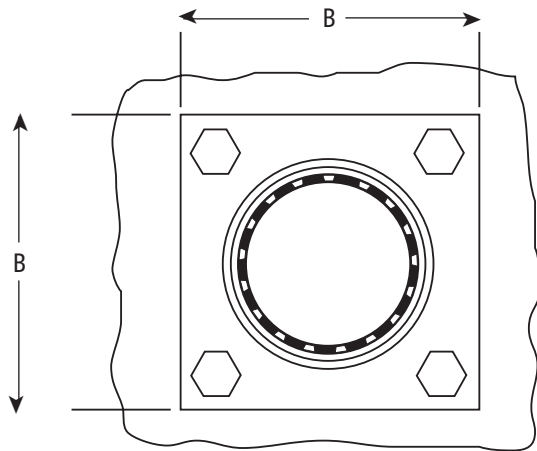


ITT

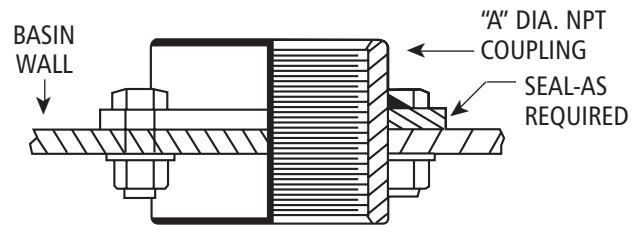
CENTRIPRO Wastewater

DISCHARGE HUBS FOR ALL BASINS

Through basin wall, female NPT coupling.



12 GAUGE STEEL PLATE



DIMENSIONAL DATA

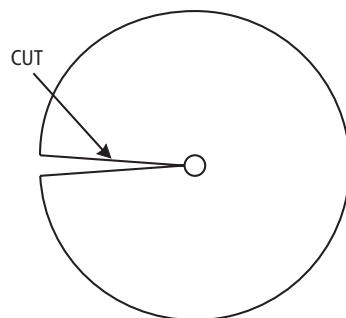
Model No.	A	B
A8-12	1 1/4"	4"
A8-15	1 1/2"	4"
A8-20	2"	4"
A8-30	3"	6"
A8-40	4"	6"

CORD SEAL FOR ALL BASIN COVERS

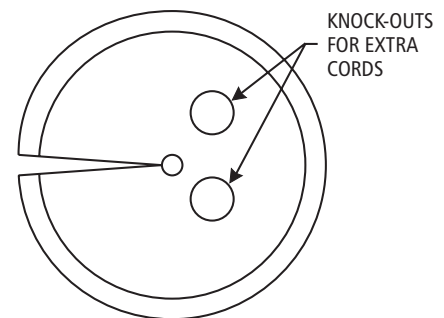
SPECIFICATIONS:

Material: Alcryn Part No. A8CS
 Diameter: 2.4" Thickness: 7/16"

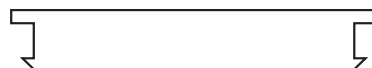
- Cord Seal is designed to seal around electric cord entry holes of 2.0" to 1.25".
- A8CS Cord Seals are shipped for use in 2.0" entry holes. To modify the seal for smaller holes simply cut pie slices out until the diameter is 0.4" greater than the entry hole.



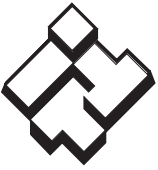
TOP VIEW



BOTTOM VIEW



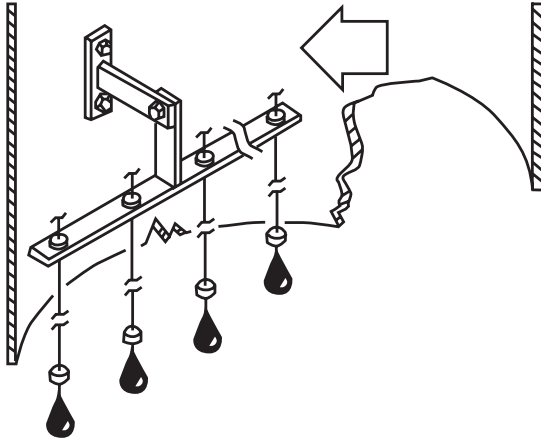
SIDE VIEW



ITT

CENTRIPRO
Wastewater

FSB1 FLOAT SWITCH BRACKET



Order No.	Type	# Floats	Material	Includes
FSB1	Adjustable Bracket	5	304 SS	Cord Retainers
FSB4FB	T Type	4	304 SS	Cord Snubbers
FSB5FB	T Type	5	304 SS	Cord Snubbers
FSB6FB	T Type	6	304 SS	Cord Snubbers
FSB6AHB	Hook	6	304 SS	-



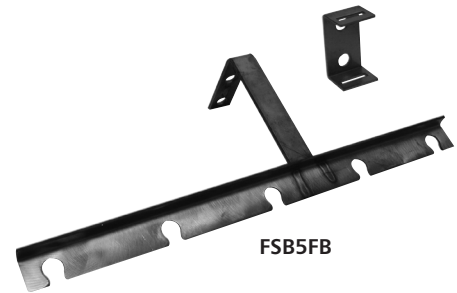
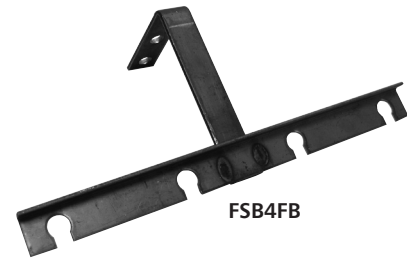
Cord Snubbers



FSB6AHB is a 6-float hook-type bracket.

STAINLESS STEEL FLOAT BRACKETS

- T-type brackets are designed to keep multiple float switches organized within the basin. All brackets are made of Type 304 stainless steel and come with black cord snubbers to securely attach float cables.
- The T-shaped bracket styles are supplied with a mounting piece so that the bracket itself may be easily removed from the basin with the floats still attached.





ITT

Wastewater

JUNCTION BOXES

- NEMA 4X fiberglass enclosure.
- Cord grips supplied for pump and control wires.
- 2" conduit connection supplied.
- Consult factory for enclosure types and options not listed.

Part No. A8-1J

A8-1J includes			
Type	Cord Grips up to .47	Cord Grips .38 to .75	Inside Box Dimensions
Quantity	3	1	6" x 7" x 2 ⁷ / ₈ "

Extra Cord Grip Connectors:

- CG1B – up to 0.47
- CG1J – 0.38 to 0.75



EXTERNAL SPLICE BOX



UL Listed Type 6P, mounts outside the riser of an underground tank and is accessible from the surface. Makes it easier to install and maintain pump system wiring. It's out of the way of other pump system components.

- At-grade installation, eliminating unsightly above-ground splice boxes.
- Completely watertight, so ideal for wet conditions and high groundwater.
- Bottom entry design, easier to keep conduit below minimum burial depth.
- Four cord grips, mounting hardware, cord grip plugs and wet location wire connectors.

Order No. A8AG4



CentriPro and the ITT Engineered Blocks Symbol are registered trademarks and tradenames of ITT Corporation.

SPECIFICATIONS ARE SUBJECT TO CHANGE WITHOUT NOTICE.

BCBASIN R4 March, 2009
Copyright (c) 2009 ITT Corporation

Engineered for life