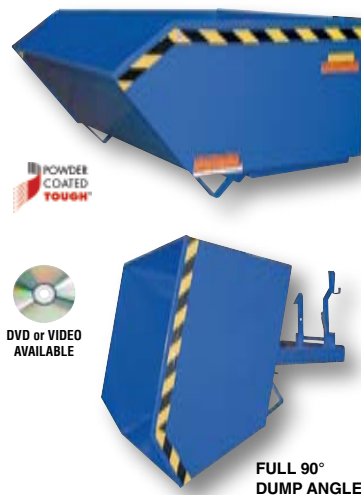


Low Profile 90° Self-Dumping Steel Hoppers

Units feature a full 90° dump angle with a cushioned rubber bumper stop. The low profile design is essential for convenient loading. Dumping with a fork truck is quick and simple. A four foot cable is pulled from the seat of the fork truck to dump the hopper. The unit returns to an upright and locked position when lowered to the ground. A safety restraint is provided to secure the hopper to the fork truck. 22"L usable fork pockets measure 7"W x 2"H. Optional leak proof design sold separately, see below. Powder coat blue finish.



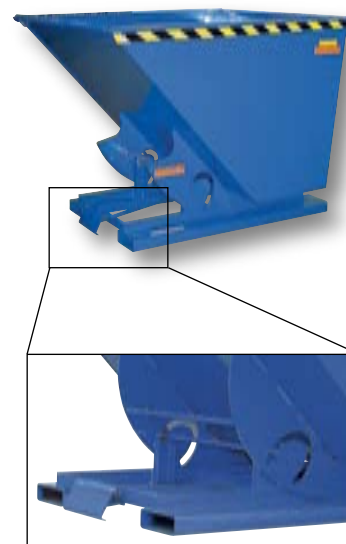
Height from the Front Lip to the Floor on "H" series Hoppers	
H-25.....	14½"
H-50.....	21¼"
H-100.....	21¼"
H-150.....	33½"

MODEL NUMBER	VOLUME CUBIC YARDS	CAPACITY (POUNDS)	OVERALL SIZE (W x D x H)	FORK POCKET CENTERS	NET WT. (POUNDS)
LIGHT DUTY • 12 GAUGE STEEL					
H-25-LD	1/4	2,000	25" x 46" x 18¼"	11½"	219
H-50-LD	1/2	2,000	25" x 51¼" x 28"	11¾"	256
H-100-LD	1	2,000	49" x 51¼" x 28"	21¾"	347
H-150-LD	1-1/2	2,000	49" x 51¼" x 41"	21¾"	374
MEDIUM DUTY • 10 GAUGE STEEL					
H-25-MD	1/4	4,000	25" x 46" x 18¼"	11½"	219
H-50-MD	1/2	4,000	25" x 51¼" x 28"	11¾"	256
H-100-MD	1	4,000	49" x 51¼" x 28"	21¾"	395
H-150-MD	1-1/2	4,000	49" x 51¼" x 41"	21¾"	463
HEAVY DUTY • 8 GAUGE STEEL					
H-25-HD*	1/4	6,000	25" x 46" x 18¼"	11½"	219
H-50-HD*	1/2	6,000	25" x 51¼" x 28"	11¾"	282
H-100-HD*	1	6,000	49" x 51¼" x 28"	21¾"	462
H-150-HD*	1-1/2	6,000	49" x 51¼" x 41"	21¾"	540

*CONTACT FACTORY FOR SPECIAL CASTER KIT OPTIONS
2" THREADED DRAIN PLUG, LOCATED IN LEFT CORNER OF HOPPER. MODEL H-DPLG

Self-Dumping Steel Hoppers with Bumper Release

Hopper automatically dumps when bumper release contacts the side of the dumpster. Hopper returns to an upright and locked position automatically after it dumps. Also includes a four foot cable that may be operated from the seat of the fork truck to manually dump the hopper. A safety restraint is provided to secure the hopper to the fork truck. Usable fork pockets are 7½"W x 2½"H. Optional leak proof design sold separately, see below. D-33, D-50, D-75 and D-100 are stackable if you stack the top hopper turned 90° from the bottom. Units rotate approximately 68°. Powder coat blue finish.



BUMPER RELEASE

MODEL NUMBER	VOLUME CUBIC YARDS	CAPACITY (POUNDS)	OVERALL SIZE (W x D x H)	FORK POCKET CENTERS	NET WT. (POUNDS)
LIGHT DUTY • 12 GAUGE STEEL					
D-33-LD	1/3	2,000	26" x 49½" x 38¼"	18"	375
D-50-LD	1/2	2,000	33½" x 49¼" x 38¼"	18"	410
D-75-LD	3/4	2,000	31½" x 60½" x 43"	18"	475
D-100-LD	1	2,000	41½" x 60½" x 43"	18"	524
D-150-LD	1½	2,000	56½" x 69" x 52"	28"	630
D-200-LD	2	2,000	56½" x 69" x 52"	28"	725
D-250-LD	2½	2,000	69½" x 69" x 52"	28"	760
D-300-LD	3	2,000	81¾" x 69" x 52"	28"	991
MEDIUM DUTY • 10 GAUGE STEEL					
D-200-MD	2	4,000	56½" x 69" x 52"	28"	725
D-300-MD	3	4,000	81¾" x 69" x 52"	28"	991
HEAVY DUTY • 8 GAUGE STEEL					
D-33-HD	1/3	6,000	26" x 49¼" x 38¼"	18"	412
D-50-HD	1/2	6,000	33½" x 49¼" x 38¼"	18"	452
D-75-HD	3/4	6,000	31½" x 60½" x 43"	18"	560
D-100-HD*	1	6,000	41½" x 60½" x 43"	18"	622
D-150-HD*	1½	6,000	43½" x 69" x 52"	28"	747
D-200-HD*	2	6,000	56½" x 69" x 52"	28"	777
D-250-HD*	2½	6,000	69½" x 69" x 52"	28"	900
D-300-HD*	3	6,000	81¾" x 69" x 52"	28"	991

*CONSULT FACTORY FOR SPECIAL CAPACITY CASTER KIT OPTIONS

Options for H and D Hoppers

MODEL NUMBER	DESCRIPTION	NET WT. (POUNDS)
H-LEKP	WELDED LEAK PROOF OPTION FOR "H" STYLE HOPPER	5
D-LEKP	WELDED LEAK PROOF OPTION FOR "D" STYLE HOPPER	5
D-DPLG	2" THREADED DRAIN PLUG, LOCATED IN LEFT CORNER	2
LUG	(4) LIFTING LUGS (WELDED) ONE ON EACH CORNER	150