



Description & Features:

- A durable and accurate thermometer with a rigid connection
- Separable thermowell
- Rugged steel case
- Bi-metallic element
- Dual scale (°F & °C)
- Back or bottom connected
- 1/2" NPT process connection
- 1 year warranty

Applications:

- Hot water lines, boilers and hydronic heating

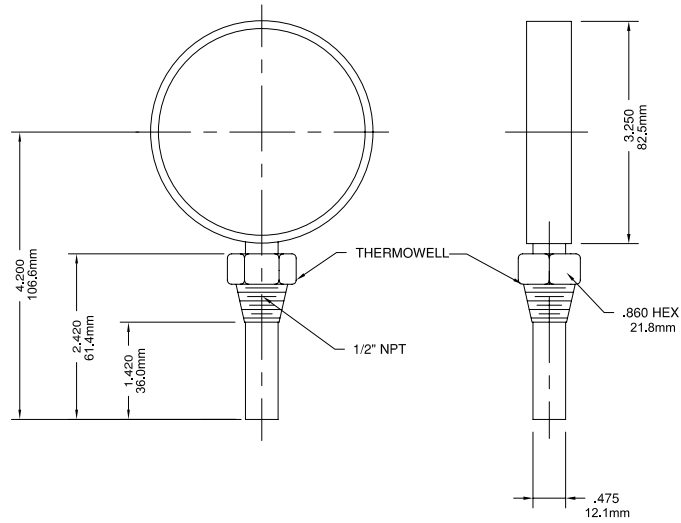
Specifications	
Dial	3.5" (90mm), aluminum with black markings
Case	Steel
Lens	Glass
Ring	Steel chrome plated
Stem	Brass
Thermowell	Brass, 1/2" NPT (standard), separable
Recalibrator	Standard
Movement	Bi-metallic coil
Pointer	Aluminum, painted black
Over Range Enclosure Rating	±25% of full scale value
Reset	Standard
Ambient Temperature	-22°F to 158°F (-30°C to 70°C)
Process Temperature	-22°F to 250°F (-30°C to 120°C)
Accuracy	±2% of full scale
Enclosure Rating	IP50

Order Codes (products in bold are normally in stock)

	Bottom	Back
30°F to 250°F & 0°C to 121°C	TBT165	TBT160
0°F to 120°F	-	TBT161

Note: Other ranges and thread sizes available upon request

Bottom Connection



Series Number (for custom, non-standard product)

	T	B	T	-			-												
SERIES																			
DIAL SIZE																			
3.5"						3	5												
4"						4	0												
CONFIGURATION																			
Back																			
Bottom																			
STEM LENGTH																			
2.5"																			
3"																			
4"																			
Other (in inches X10)																			
THERMOWELL MATERIAL																			
Brass																			
304 SS																			
THREAD SIZE																			
1/2"																			
Special																			
THREAD TYPE																			
NPT																			
BSP																			
BSPT																			
M20x1.5																			
RANGE																			
30/250 F&C																			
0/120 F&C																			
Minus 22/120 F&C																			