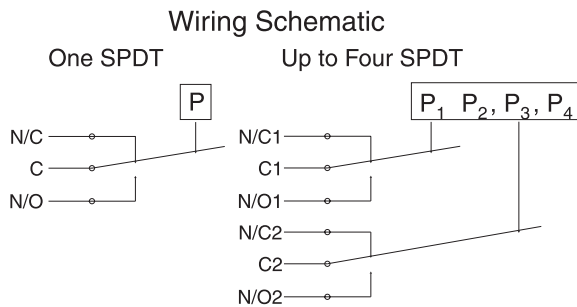




Ranges from 0-15 psi to 0-300 psi

Rugged NEMA 4X and 12 housing standard
 CSA Certified
 Class I, Div. I, Gr. C and D available
 Up to four SPDT contacts
 Various wetted materials available



Installation Notes

Orientation - The 6WPS Diaphragm Actuated will operate satisfactorily in any position. However, mounting the device vertically will allow the easiest adjustability and reduce sediment in the pressure chamber.

Wiring - Switches may be wired to 'normally open' or 'normally closed' terminals on electric switch(es).

Pressure Connection - 1/4" NPT female is standard. 1/2" NPT male is available (M option).

Adjustment - Turn pressure adjustment nut(s) clockwise to increase setpoint. Detailed installation and calibration instructions are provided for every shipment. Setting adjustment is available at no charge.

Teflon® is a registered trademark of Dupont Corporation
 Viton® is a registered trademark of DuPont Performance Elastomers

Description & Features:

- Constructed using a rugged cast aluminum housing (NEMA 4X and 12) that incorporates Winters' standard accurate switching mechanism actuated by a diaphragm
- Housing can be specified watertight or explosion proof and large enough to accommodate up to four full size SPDT electric switches
- Electric switches are available in a variety of configurations including adjustable switch differential (dead band), DPDT, high-low operation, manual reset
- Many switching configurations can be supplied with electric switches that have low switch differentials (dead band), high direct current ratings, gold contacts, hermetically sealed contacts
- Standard pressure-sensing element uses a strong Buna N elastomer diaphragm. Other diaphragm materials are available
- 1 year warranty

Applications:

- Multiple tank or pump controls and those requiring alarm systems

Specifications	
Housing	Cast aluminum
Pressure Connection	1/4" NPT
Electrical Connection	3/4" NPT
Port Material	Aluminum
Diaphragm Material	Buna N, Teflon® protected, Viton®
Deadband	Fixed
Sensitivity	0.5% of range (for SPDT)
Drift	<1% of range (100,000 operations)
Contact Ratings	15A - 125, 250, 480 VAC
Set Point Adjustment	Screw type, field adjustable
No. of Contacts	1, 2, 3 or 4 SPDT or 1 DPDT
Contact Listings	UL Recognized, CSA Certified
Maximum Ambient Temperature	180°F (82°C)
Minimum Ambient Temperature	-20°F (-29°C)
Weight	Approx. 5 lbs.

Adjustable Pressure Range	Maximum Deadband		Maximum Working Pressure
	Type 2	Type 5	
Pressure (psi)			
0-15 psi	0.2	0.3	50
0-30 psi	0.2	0.5	100
0-60 psi	0.5	1.0	200
0-100 psi	1.0	2.0	300
0-150 psi	1.0	2.5	300
0-200 psi	2.0	3.5	500
0-300 psi	3.0	5.0	500
Vacuum			
30" HG /VAC	3"	0.6"	50
30PR-30 VAC	5"	1.0	50
High Over-Pressure			
0-15 psi	0.3	0.6	1,000
0-30 psi	0.4	0.8	1,000
0-60 psi	0.5	1.0	1,000
0-100 psi	0.8	1.5	1,000

Deadband Notes

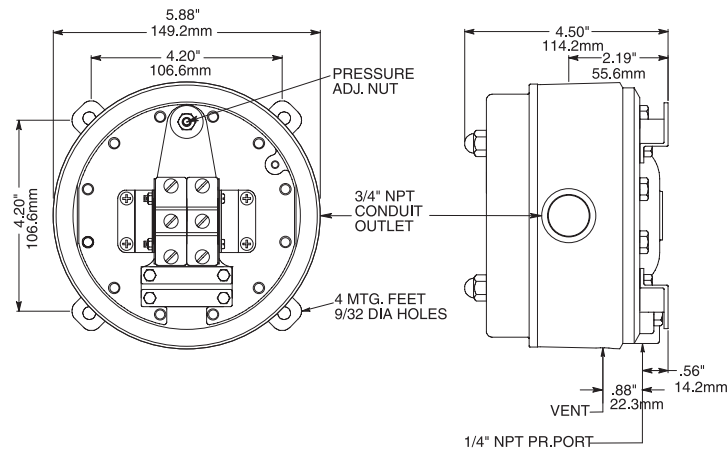
The deadbands listed in the tables are the maximum switch differentials when the standard (Type 2 or Type 5) electric switch is used.

Deadband is affected by the type of switch used. Each type of switch's effect on deadband is as follows:

- Type 1** Low Deadband - Use 1/2 Type 2 table values
- Type 2** Std. Deadband - Use table values
- Type 3** High DC Rated - Multiply Type 2 table values by two
- Type 5** Sub Miniature - 2 SPDT - Use Type 5 table values
- Type 6** Gold Contact - Use Type 2 table values



Canadian Standards Association Certified:
Industrial Control Equipment Type 4 & 12. Switches
Pressure Type for Hazardous Locations, Class I, Group C & D; Class II, Group E, F & G.



Series Number (how to order)

6WPS W 1 SST 2

MODEL SERIES

HOUSING*

- W - WATERTIGHT - NEMA 4X & 12
- X - EXPLOSION PROOF - NEMA 7 & 9

NUMBER OF ELECTRIC SWITCHES

- 1 - ONE S.P.D.T.
- 11 - TWO TANDEM ELECTRIC SWITCHES OPERATE IN PARALLEL D.P.D.T.
- 2 - TWO S.P.D.T. INDEPENDENT ADJUSTMENT
- 3 - THREE S.P.D.T. INDEPENDENT ADJUSTMENT
- 4 - FOUR S.P.D.T. INDEPENDENT ADJUSTMENT

SPECIAL FEATURES

- NO SPECIAL FEATURES
- A - ADJUSTABLE DEADBAND
- E - EXTERNAL PRESSURE ADJUSTMENT
- EE - TWO EXTERNAL PRESSURE ADJUSTMENTS
- F - FLANGE BASE MOUNTING
- J - SAFETY SEAL
- L - ONE INDICATOR LIGHT (NOT ON X HOUSING)
- LL - TWO INDICATOR LIGHTS (NOT ON X HOUSING)
- M - MALE PIPE MOUNTING 1/2 NPT
- P - PANEL MOUNTING
- R-> - MANUAL RESET, SWITCH ON INCR. PR.
- R<- - MANUAL RESET, SWITCH ON DECR. PR.
- SS - SPECIAL TRIM BASE 316 STAINLESS STEEL
- SI - SPECIAL TRIM BASE TEFLON (NOT ON X SWITCHES)
- SY - SPECIAL TRIM BASE PVC (NOT ON X SWITCHES)
- T - TEFLON PROTECTED DIAPHRAGM
- U - ADDITIONAL PAINTING AFTER ASSEMBLY
- V - HIGH TEMPERATURE SERVICE
- Z - VITON DIAPHRAGM

TYPE OF ELECTRIC SWITCHES

- 1 - LOW DEADBAND
15A - 125, 250, 480 VAC
- 2 - STANDARD DEADBAND
15A - 125, 250, 480 VAC; 0.5A - 125 VDC
- 3 - HIGH DC RATED (MAGNETIC BLOWOUT)
10A - 125 VDC; 3A - 250 VDC
- 4 - HERMETICALLY SEALED SWITCH
1A-125VAC; 25A.RES, 10A.IND, 5A.MOTOR
3A.LAMP-28VDC
- 6 - GOLD CONTACT -
1 A - 125 VAC

* SPECIAL FEATURES SUCH AS STAINLESS TAGGING, OR SPECIAL WETTED PARTS; KYNAR, KALREZ, HASTELLOY, ETC. ARE AVAILABLE ON REQUEST. CONSULT WINTERS FOR CAPABILITIES AND PRICING FOR ANY FEATURES NOT SHOWN.