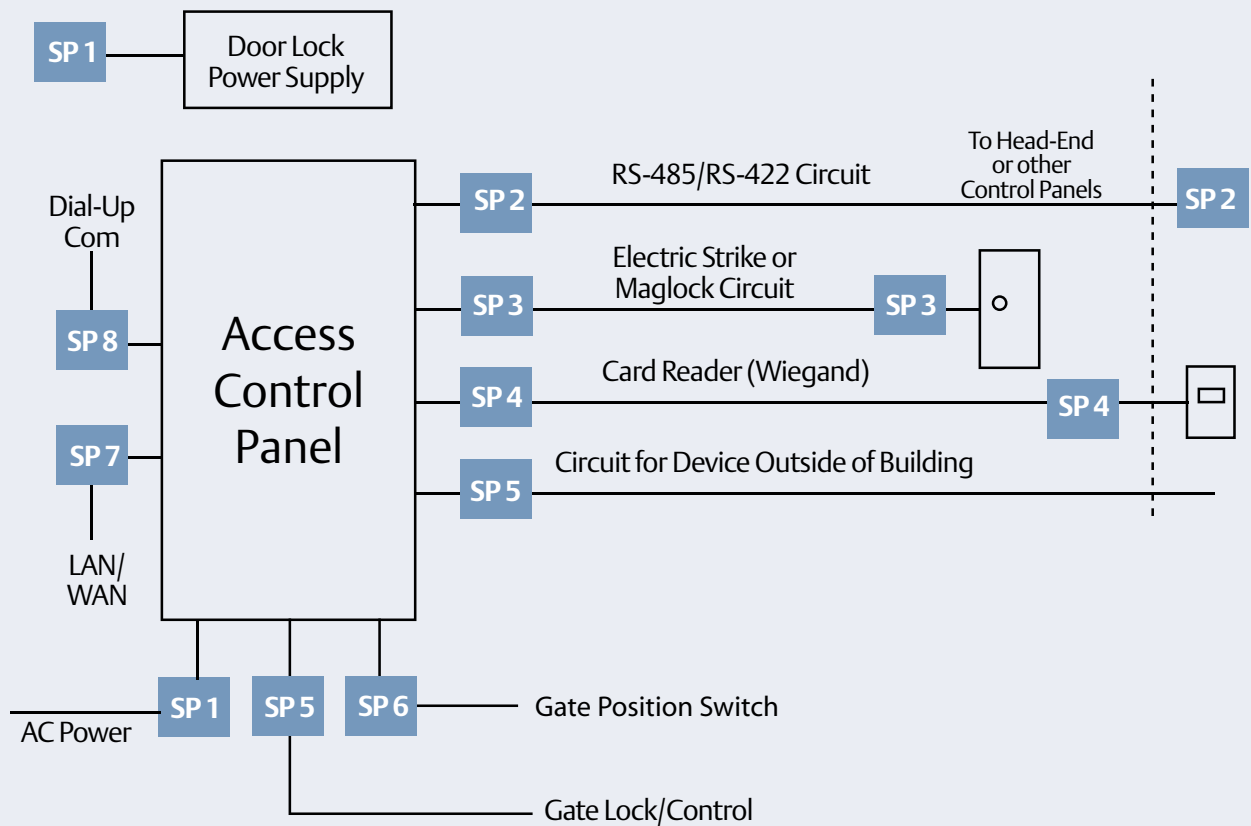


## Protecting Access Control Systems Application Drawing



- Legend**
- SP 1... HSP-121BT1RU
  - SP 2... PC642C-008LC\*
  - SP 3... EL-EDS
  - SP 4... 5W8-30\*
  - SP 5... FAS-1-xxxHC
  - SP 6... FAS-2-xxxHC
  - SP 7... LCDP-xxx
  - SP 8... FAS-31XT
- \*Needs PCB1B Base