



## Edco H Series Telecom/Punch Block Protection Advanced Ultra High Speed Technology

The Edco H-Series modules are ultra high speed fused solid state secondary protectors for KEY/PABX systems. The units are available in three different clamping voltages. The Edco H-Series is constructed with solid state silicon foldback technology, polyswitch resettable fuses — PTCs — and failure fuses. These protection modules are intended to be used in conjunction with proper primary protectors (UL 497A). The protective elements switch from the normal high-impedance state to a low-impedance state upon a detection of a surge, then switch back to high impedance after the surge has passed. The Edco H-Series single pair modules fit onto a standard Edco MI-50 split block and replace bridging clips. In addition, these modules require the Edco MGB Ground Rail for each Edco MI-50 block used.

### General Technical Specifications

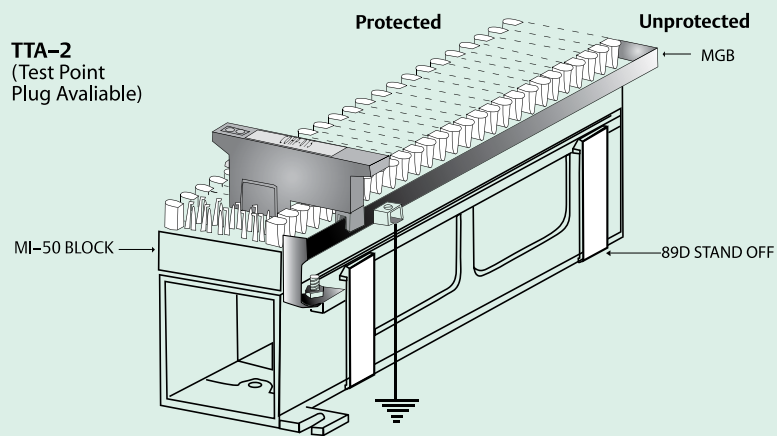
Operating Voltage	50, 180, 230 VDC
Clamping Voltage	65, 200, 270 VDC
Operating Current	0.15 A
Peak Surge Current	160 A (10 x 1000 $\mu$ s T & R to Ground)
Frequency Range	0 to 20 MHz
Insertion Loss	< 0.1 dB at 20 MHz
SPD Technology	Silicon Breakover Device w/ Series PTC
Connection Type	Clip
Operating Temperature	-40°C to +85°C
Dimensions (Inches)	1.25H x 0.4W x 2.8L
Weight	1 oz
Certifications	UL 497A, CUL

### Ordering Information

Central Office/Trunks	HCO
Analog Extensions	HAE
Digital Extensions	HDE

### Installation

TTA-2  
(Test Point  
Plug Available)



UNPROTECTED SIDE – TERMINATE FIELD SIDE WIRING COMING INTO BUILDING ON THE "UNPROTECTED SIDE"

*DO NOT daisy chain grounds. NOT intended for shield termination.  
Install ground in accordance with all applicable codes.*