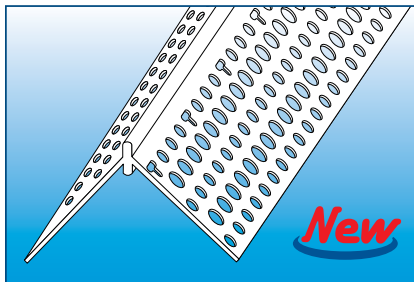


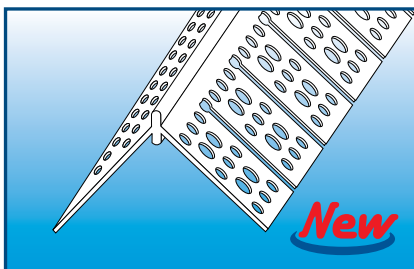
# 14 Corner Beads



## RIGID CORNER BEAD

- Features patented I Beam Technology for the most rigid vinyl corner bead ever available.
- I Beam nose creates a sharp distinctive outside corner that is easier to mud and creates crisp paint transitions.
- Installs easily with staples and/or 847 Spray Adhesive.

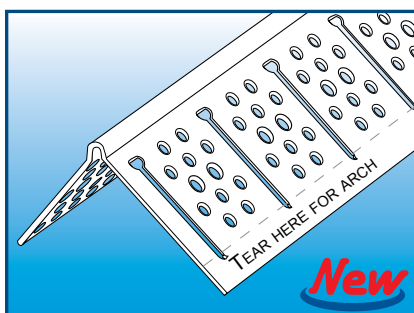
STOCK No.	LENGTH	Pcs. PER BOX
R008	8'	40
R009	9'	40
R010	10'	40
R012	12'	40



## RIGID ARCHWAY CORNER BEAD

- Designed with a sharp nose to perfectly match the Mud Set Rigid Corner Bead.
- The I-beam nose combined with the exclusive T arch punch results in the sharpest, smoothest corners you've ever seen.
- Rigid Arch installs easily with staples and/or 847 Spray Adhesive.

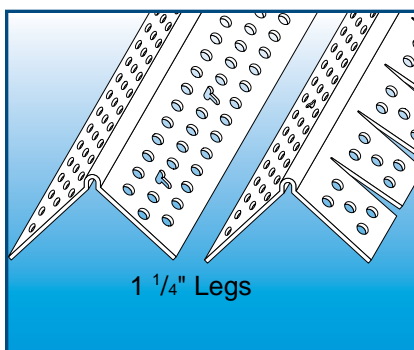
STOCK No.	LENGTH	Pcs. PER BOX
RA08	8'	40
RA10	10'	40
RA12	12'	40



## ARCH PLUS 90° COMBO BEAD

- Two Products in One
- Straight Outside Corner becomes an Archway Bead by simply removing Tear Away Strip.
- Exclusive T Shaped Arch Punch for Smoother Arches
- Can Finish an 18" Outside Radius or a 10" Inside Radius
- Made of Dent Resistant PVC that will never rust

STOCK No.	LENGTH	Pcs. PER BOX
4058	8'	40
4059	9'	40
4050	10'	40



## CORNER BEAD

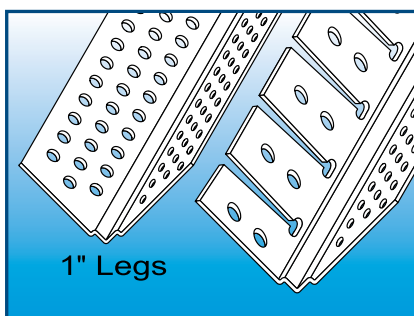
- Made of rigid vinyl, Trim-Tex Corner Bead creates a rust proof, dent resistant finished corner.
- The intricate pattern of holes allows mud to penetrate through the bead to the drywall. The bead becomes part of the wall.

STOCK No.	LENGTH	Pcs. PER BOX
4008	8'	50
4009	9'	50
4010	10'	50
4012	12'	50

## ARCHWAY CORNER BEAD

- Archway Corner Bead is the ideal bead for finishing archways and free flowing curved forms.
- Engineered arch tabs allow you to go from a 10" inside radius to an 18" outside radius.

STOCK No.	LENGTH	Pcs. PER BOX
4108	8'	50
4110	10'	50
4112	12'	50



## 90° INSIDE CORNER BEAD

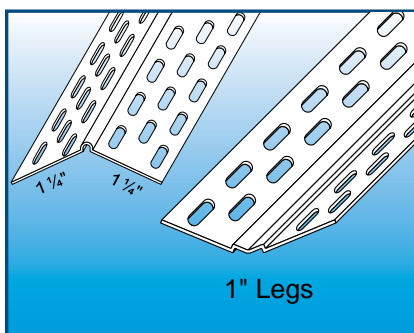
- 90° Inside Corner Bead is designed to give you perfectly straight, sharp inside corners every time. Use Inside Corner for finishing wall niches quickly and easily.

STOCK No.	LENGTH	Pcs. PER BOX
4358	8'	40
4350	10'	40

## 90° ARCHWAY INSIDE CORNER BEAD

- The Archway Inside Corner can go from a 36" inside to a 36" outside radius.
- Great for curved walls

STOCK No.	LENGTH	Pcs. PER BOX
4150M	10'	10
4150	10'	40



## SPLAYED CORNER BEAD

- An outside corner that can be flexed to fit unusual outside corner angles from 120° to 140°.
- The industry's best seller is the finest off-angle corner bead.

STOCK No.	LENGTH	Pcs. PER BOX
4208	8'	50
4209	9'	50
4210	10'	50

## ADJUSTABLE INSIDE CORNER BEAD

- Adjustable Inside Corner produces over 20 million ft. per year of the straightest, sharpest inside lines that no taped corner could match.
- Unique design allows it to adjust from a 70° inside corner to a 150° inside corner.

STOCK No.	LENGTH	Pcs. PER BOX
4308	8'	70
4309	9'	70
4310M	10'	20
4310	10'	70