



Unity Home System

The Unity Home System seamlessly integrates On-Q Camera, Multi-Room Audio, and Selective Call Intercom functions into one robust home system that is easily controlled via an attractive user interface. Available exclusively in the Studio design, at a price point that's perfect for the production market.



Simple and easy-to-use graphical user interface

Personalizable screen color options include the Studio Collection colors.

Shortcut buttons allow easy access to options based on current screen

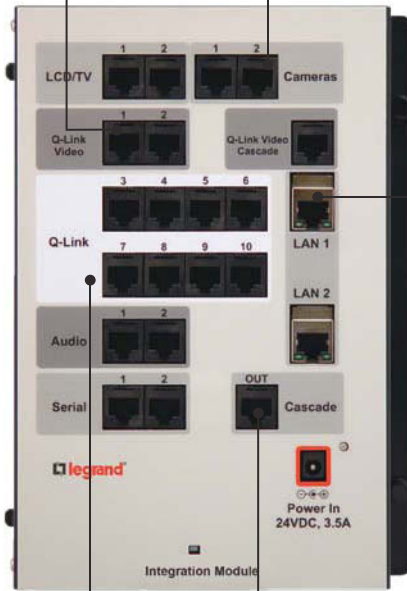


2 speakers provide high-quality sound, specially formatted for intercom usage

Navigation arrows allow users to easily access cameras, intercom, multi-room audio and messaging functions

Video Q-Link ports allow direct connections of up to two Selective Call Video Door Units

Directly connect up to two cameras



Utilizing a network connection allows web set-up of the system and software updates

Q-link technology allows communication with all On-Q Home Systems products

Connect as many as 32 Selective Call Intercom Units to the Unity Home System with this cascade port



System Features and Benefits

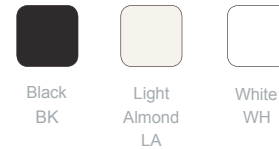
- Up to six cameras per system
- Up to two LCDs or TV Displays per system
- Up to 32 intercom units per system
- System can be expanded for up to 16 audio zones
- Efficient Cat 5 installation with plug and play connections
- All units self-discover when connected to power
- No programming required, easy personalization options

COLORS

LCD Display



TV Display Interface



RELATED PRODUCTS



IC5000-XX
Selective Call Intercom
Room Unit



AU5009-XX
lyriQ Keypad

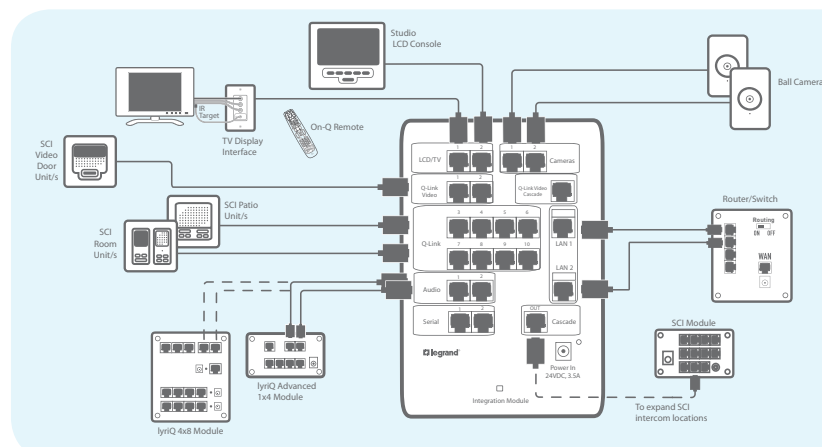


IC5003-XX
Selective Call Intercom
Video Door Unit



CM5002-XX
Ball Camera

WIRING DIAGRAM







INSTALLATION AT-A-GLANCE UNITY HOME SYSTEMS

1. Install the Integration Module in the enclosure.
2. Run the appropriate number of cables to each device to be connected to the Integration Module.
3. Install devices throughout the house.
4. Connect cables at the device and at the Integration Module. Allow devices to self-discover.
5. Personalize.



SYSTEM MODULES

PRODUCT	PART #	DESCRIPTION	DIMENSIONS
<p>Integration Module</p>  <p>NEW!</p>	HA6001	<p>The Integration Module is the heart of the Unity system, providing the central connection point for Selective Call Intercom, lyriQ Audio, and On-Q Camera systems.</p> <p>As the intelligence of the system, the Integration Module generates the Graphical User Interface and can be upgraded for additional functionality with software updates.</p> <p>The system requires one power supply and mounts in any On-Q enclosure.</p> <p>Compatible with PW1060 and PW1100 power supplies.</p>	6.25" W x 9" H x 1.25" D
<p>lyriQ Four Source, Eight-Zone Distribution Module</p> 	AU1002	<p>Distributes four sources of audio to multiple locations in the home.</p> <p>See page 68 for more information about lyriQ Audio Systems.</p>	5.9" H x 6.5" W
<p>lyriQ Advanced Single Source Distribution Module</p>  <p>NEW!</p>	AU1014	<p>Distributes one source of analog audio and a single source of digital audio* to multiple locations in the home.</p> <p>Power supply required (see page 41).</p> <p>See page 68 for more information about lyriQ Audio Systems.</p> <p>*To be released in a future software update of the Integration Module.</p>	3" H x 6.5" W
<p>4-Port Ethernet Router/Switch</p> 	DA1004	<p>Interconnects the Integration Module high-speed LAN ports.</p>	5.9" H x 6.5" W





EXPANSION MODULES

PRODUCT	PART #	DESCRIPTION	DIMENSIONS
<p>Selective Call Intercom 8-Location Distribution Module</p>	IC5001	<p>Expand the Unity Home System to include as many as 32 units, including four Video Door Units.</p> <p>Power supply required (see page 41).</p> <p>See page 100 for more information about Selective Call Intercom Systems.</p>	3" H x 6.5" W
<p>lyriQ Zone Expander with Integration</p>	AU1023	<p>Create 16 independent zones of audio by connecting two Four Source, Eight-Zone Distribution Modules (AU1002) to the Integration Module. No power supply required.</p> <p>See page 68 for more information about lyriQ Audio Systems.</p>	5.9" H x 6.5" W
<p>Category 5 Camera Module</p>	CM1011	<p>Add up to four cameras to the Unity Home System with this module.</p> <p>Power supply required (see page 41).</p> <p>See page 118 for more information about On-Q Camera Systems.</p>	3" H x 6.5" W
<p>LCD Module</p>	CM1010	<p>Enable viewing of up to four cameras on the LCD Console.</p> <p>See page 118 for more information about On-Q Camera Systems.</p>	3" H x 6.5" W

NEW!



INTERFACES

PRODUCT	PART #	DESCRIPTION	DIMENSIONS
<p>LCD Console</p> 	<p>HA5000-GB HA5000-LA HA5000-TI HA5000-WH</p>	<p>The 7" LCD Console brings the Unity Home System to life for the user. It features a simple graphical user interface that allows control of camera, multi-room audio, intercom, and messaging functions.</p> <p>The console mounts in a standard triple gang box and installs easily via Cat 5 wiring with convenient RJ45 connections.</p> <p>The LCD Console is available in four attractive Studio colors.</p>	<p>7" H x 7.5" W</p>
<p>LCD Console with lyriQ</p>	<p>HA5009-GB HA5009-LA HA5009-TI HA5009-WH</p>	<p>This LCD features additional connections for lyriQ that turn it into a volume control when used with the Integration Module.</p>	<p>7" H x 7.5" W</p>
<p>LCD Console with High-Performance lyriQ</p>	<p>HA5010-GB HA5010-LA HA5010-TI HA5010-WH</p>	<p>This LCD features additional connections for High-Performance lyriQ that turn it into a volume control when used with the Integration Module.</p>	<p>7" H x 7.5" W</p>
PRODUCT	PART #	DESCRIPTION	DIMENSIONS
<p>TV Display Interface</p> 	<p>HA5201-BK HA5201-LA HA5201-WH</p>	<p>Turn any TV in the Home into a Unity Home System Interface with this single gang decorator strap.</p>	<p>4.2" H x 1.65" W</p>

COLOR OPTIONS

LCD Display



Gloss Black
GB
Light Almond
LA
Titanium
TI
White
WH

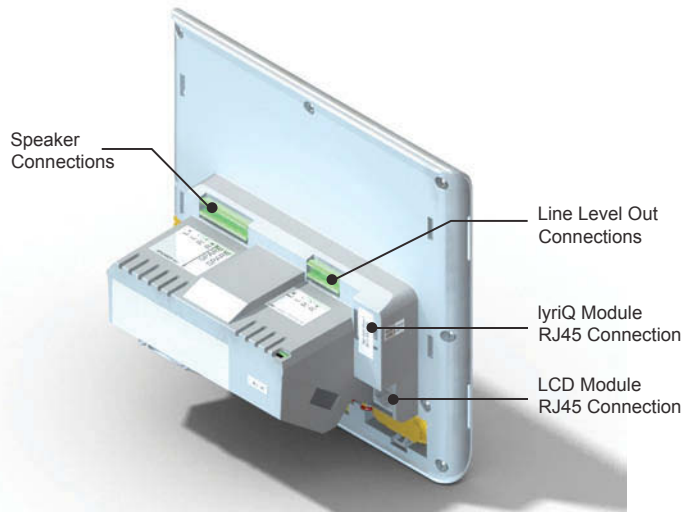
TV Display Interface



Black
BK
Light Almond
LA
White
WH

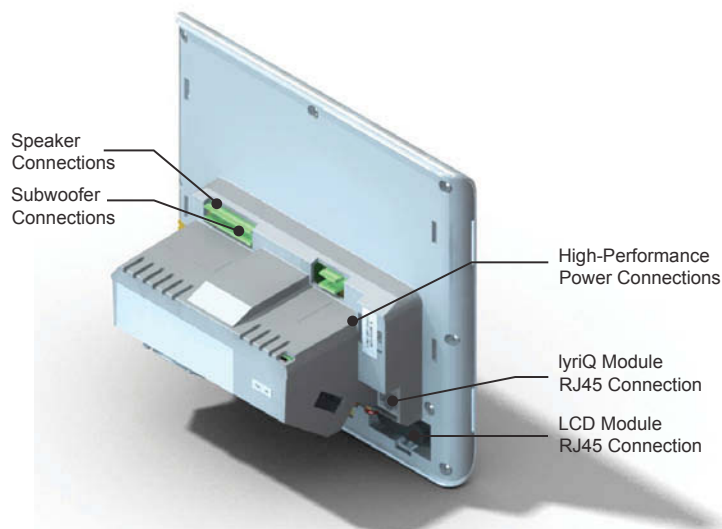


WIRING YOUR UNITY HOME SYSTEM FOR LYRIQ



HA5009-XX CONNECTING THE LCD CONSOLE WITH LYRIQ

1. Run the appropriate Cat 5 and speaker cables to the LCD Console with LyriQ.
2. Connect speakers.
3. Connect Cat 5 via an RJ45 connection to both the LyriQ Module connection and LCD Module connection.
4. Run Cat 5 cable back to the enclosure and connect to the LyriQ Module and LCD Module.
5. Connect the power supply and wait for the system to auto-discover.



HA5010-XX CONNECTING THE LCD CONSOLE WITH HIGH-PERFORMANCE LYRIQ

1. Run the appropriate Cat 5 and speaker cables to the LCD Console with High-Performance LyriQ.
2. Connect speakers and subwoofer.
3. Connect Cat5 via an RJ45 connection to both the LyriQ Module connection and LCD Module connection.
4. Connect the High-Performance power.
5. Run Cat 5 cable back to the enclosure and connect to the LyriQ Module and LCD Module.
6. Connect the power supplies and wait for the system to auto-discover.