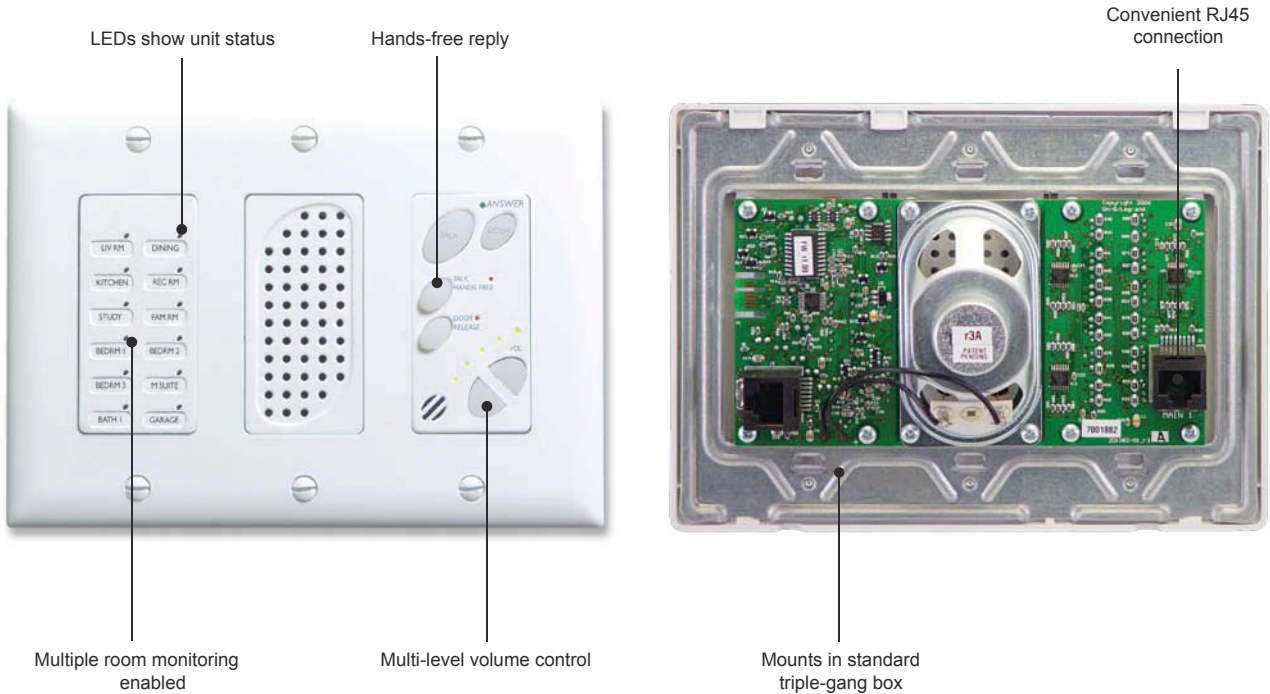




Broadcast Intercom System

This Cat 5-based broadcast system enables simple, hands-free communication throughout the home. Featuring easy installation in standard triple and double gang boxes, the Broadcast System includes paging and monitoring capabilities, along with adjustable volume control and door release from any room unit.



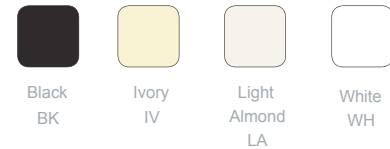


System Features and Benefits

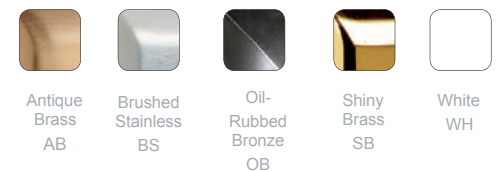
- Up to 12 room or patio units per system
- Separate microphone and high-performance speaker in each unit
- Allows monitoring of multiple units at the same time
- Includes door and gate release support
- Trims in standard decorator plates
- Easily integrates with lyriQ Audio System for audio interrupt
- Efficient Cat 5 installation
- Units mount in standard electrical boxes

COLORS

Indoor



Outdoor



RELATED PRODUCTS



IC1004-XX
Broadcast Intercom
Room Unit



F7596-XX
Broadcast Intercom Door
Unit

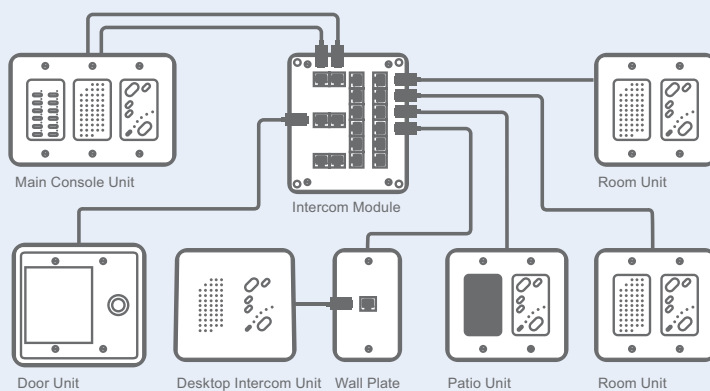


F7641-XX
Broadcast Intercom
Patio Unit



IC1400-XX
Broadcast Intercom 4-Location Kit

WIRING DIAGRAM




INSTALLATION AT-A-GLANCE BROADCAST INTERCOM SYSTEM

1. Run a single Cat 5 cable to any location where a Room, Patio, or Door Unit will be installed.
2. Run two Cat 5 cables to the location where the Main Console Unit will be installed.
3. Use the appropriate size gang box for the type of unit to be installed.
4. All cabling needs to home run back to the Intercom Module which resides in the On-Q enclosure.





COMMUNICATIONS/Broadcast Intercom System

BROADCAST INTERCOM KITS

| PRODUCT | PART # | DESCRIPTION |
|--|--------------------------------|--|
| <p>4-Location Intercom Kit</p>  | <p>IC1400-WH IC1400-LA</p> | <p>Experience simple, hands-free communication throughout the home with the four-location Broadcast Intercom Kit. This Cat 5-based, next-generation intercom keeps the family in touch using a stylish, wall-mounted package trimmed in a standard decorator plate. LED lights show in-use, mute and monitor.</p> <p>Kit Contains: 1 Module and Main Console Unit 3 Room Units 1 Door Chime 1 Power Supply</p> <p>Bracket included. Door unit sold separately.</p> |

BROADCAST INTERCOM COMPONENTS




| PRODUCT | PART # | DESCRIPTION | DIMENSIONS |
|--|--|--|---|
| <p>Intercom Module & Main Console Unit</p>  | <p>IC1002-BK IC1002-IV IC1002-LA IC1002-WH</p> | <p>The Broadcast Intercom System offers a simple solution for family communication. LED lights on the main console show all room activity, and a separate microphone and high-quality speaker deliver crisp, clear sound to each unit. Trimmed in a standard 3-gang decorator plate, the main console can match any décor.</p> <p>Module bracket included. Power supply required (see page 41).</p> | <p>4" H x 5.25" W x 1.5" D (Main Unit) 5.9" H x 6.5" W (Module)</p> |
| <p>Room Unit</p>  | <p>IC1004-BK IC1004-IV IC1004-LA IC1004-WH</p> | <p>Available in white, black, light almond, or ivory, the Broadcast Room Unit is perfect for any décor. The modern, adjustable backlit keypad makes it simple to communicate in low-light conditions. In addition to paging, the user can monitor other units from anywhere in the house.</p> | <p>4" H x 3.5" W x 1.6" D</p> |

COLOR OPTIONS





BROADCAST INTERCOM COMPONENTS

| PRODUCT | PART # | DESCRIPTION | DIMENSIONS |
|---|---|--|-----------------------------|
| Desktop Unit  | F9018-BK F9018-SR | Housed in durable plastic casing, the desk unit brings on-wall unit functionality within arm's reach. It plugs into any RJ45 outlet home run to the enclosure to easily add another room to an intercom system. Available in silver and black, this sleek addition to the home office is sure to be admired. | N/A |
| PRODUCT | PART # | DESCRIPTION | DIMENSIONS |
| Intercom Door Unit, Weather Resistant  | F7596-AB F7596-BS F7596-OB F7596-SB F7596-WH | Now available in oil-rubbed bronze, this Intercom Door Unit is sure to increase the curb appeal of any home. It home runs from the enclosure for efficient installation and features a backlit button for easy operation at night. The door unit is the perfect addition to any intercom system. | 4.75" H x 4.75" W x 1.5" D |
| PRODUCT | PART # | DESCRIPTION | DIMENSIONS |
| Intercom Patio Unit  | F7641-AB F7641-BS F7641-OB F7641-SB F7641-WH | The Broadcast Patio Unit includes most of the options available in an indoor room unit, but in a weatherproof version. It can be turned off from the main console for security reasons, and is available in classic finishes to enhance the curb appeal of any home. | 4.75" H x 4.75" W x 1.25" D |

BROADCAST INTERCOM COMPONENTS

| PRODUCT | PART # | DESCRIPTION | DIMENSIONS |
|--|------------------------------------|---|----------------------------|
| Intercom Door Chime | F7601 | The three-note door chime attaches to the intercom module. It sounds a different chime at up to three door units when the door's button is pressed. | N/A |
| Intercom Module | IC1000 | This replacement Broadcast Intercom Module fits into any On-Q enclosure. It supports 12 room units and up to three door units. Bracket included. Power supply required (see page 41). | 5.9" H x 6.5" W |
| Intercom Audio Interrupt Module | IC1001 | For use with the lyriQ™ Audio System, the Audio Interrupt Module automatically mutes the music for an intercom page. Bracket included. | 1.5" H x 3.5" W |
| Exterior Mounting Box | F7521-IV F7521-WH | Enables surface mount installation of a patio or door unit. | 4.75" H x 4.75" W x 1.5" D |


COLOR OPTIONS




Antique Brass AB
Black BK
Brushed Stainless BS
Ivory IV
Oil-Rubbed Bronze OB
Shiny Brass SB
Silver SR
White WH



WIRELESS ACCESS POINTS

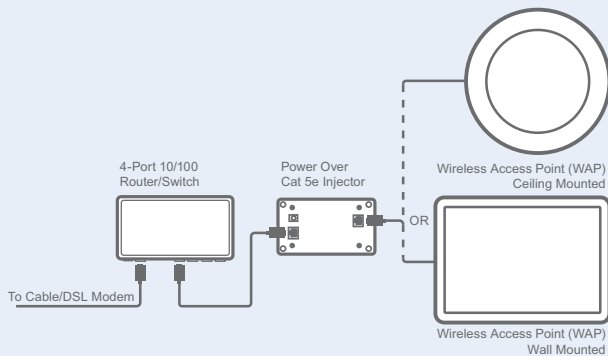
| PRODUCT | PART # | DESCRIPTION | DIMENSIONS |
|--|------------------|--|----------------------|
| Wireless Access Point, In-Ceiling, 802.11g  | 364887-01 | The in-ceiling Wireless Access Point is perfect for broad coverage or for creating multiple localized hot spots throughout the home. It supports data rates of up to 54 Mbps and installs in a standard plastic 3-gang switch box. Power supply and Power Over Cat 5e Injector included. | 7.65" dia. 1.5" D |

| PRODUCT | PART # | DESCRIPTION | DIMENSIONS |
|--|------------------|--|----------------------------|
| Wireless Access Point, In-Wall, 802.11g  | 364891-01 | The in-wall Wireless Access Point installs in a standard plastic 3-gang switch box, and features plug and connect configuration. Easy installation, unobtrusive design and user-friendly operation make wireless home networking a must-have in new homes. It supports data rates of up to 54 Mbps and ships with a Power Over Cat 5e Injector and a power supply. | 5.375" H x 7.5" W x 1.5" D |

WIRELESS ACCESS POINT ACCESSORIES

| PRODUCT | PART # | DESCRIPTION | DIMENSIONS |
|--|------------------|---|---------------|
| Replacement Power Over Cat 5e Inserter Module | 364888-01 | Replaces the inserter module that ships with the WAP. | 3" H x 5.5" W |
| Replacement Power Supply | 364889-01 | Powers the in-ceiling or in-wall WAP. | N/A |

WIRING DIAGRAM



INSTALLATION AT-A-GLANCE WIRELESS ACCESS POINT

1. Run a single Cat 5e cable to the location where the WAP will be installed.
2. Install a three-gang box at the WAP location.
3. Secure the WAP to the triple gang box and attach the cover.
4. Home run the cable to the On-Q enclosure and attach it to the Power Over Cat 5e Injector.
5. Attach the Injector to the 4-Port 10/100 Router/Switch.