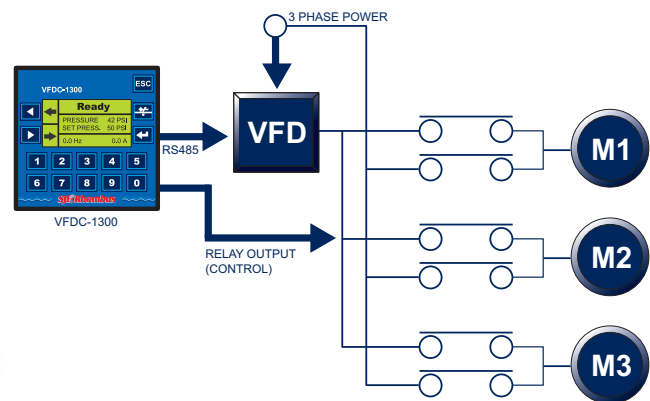




NEMA 3R Control Panel

Available for simplex, duplex or triplex pump control using a single VFD



Triplex Pump Control Configuration

Enclosure

- NEMA 3R enclosure suitable for outdoor operation
- Enclosure ventilation for VFD cooling
- Inner door (optional)
- NEMA 4 or NEMA 4X with air conditioning (optional)
- Stainless steel or aluminum enclosure construction (optional)
- Enclosure heater for outside temp. less than 14°F (-10°C)
- Lightning arrestors / Surge suppressors (optional)
- Available for installations above 3,300 ft. (1,000 m) altitude

Main Disconnect / Circuit Breaker

- Through door operator handle (optional)

Variable Frequency Drive (VFD)

- Available for 208V, 230V, 400V, 460V, 575V pump applications
- Best suited for 20 HP to 500 HP applications
- Single phase incoming power applications (optional)
- Line reactor (optional)
- Load reactor (optional)
- dV/dt filter (optional)
- Harmonic filtering (optional)

0-200 PSI Pressure Transmitter

- NEMA 4X rated
- Optional NEMA 6P (total submergence rating)
- Other ranges available

SJE Rhombus

Toll Free: 1-888-DIAL-SJE (1-888-342-5753)
 Phone: 218-847-1317 ■ Fax: 218-847-4617
 www.sjerrhombus.com

©SJE-Rhombus 06/09



VFDC-1300 Controller

- Simplex pump application
- PID control
- Graphic display with LED back-lighting
- Easy set up
- Dry run protection
 - Low VFD amps at full speed
 - Time delay
 - Auto restart timer
- Fill pipe (low Hz on start up to reduce water hammer)
- Run time (hours, minutes, seconds)
- Cycle counter
- Low pressure alarm
- High pressure alarm
- Low water input: low suction pressure or low water pressure
- UL/cUL Listed 508A

OPTIONS:

- Duplex pump application (1 VFD + 1 magnetic starter)
- Triplex pump application (1 VFD + 2 magnetic starters)
- Custom programming (optional)
- Remote monitoring/control (dialup modem)
- Interface with irrigation controller
- 24-hour timer operation
- Soft starter for lag pumps