

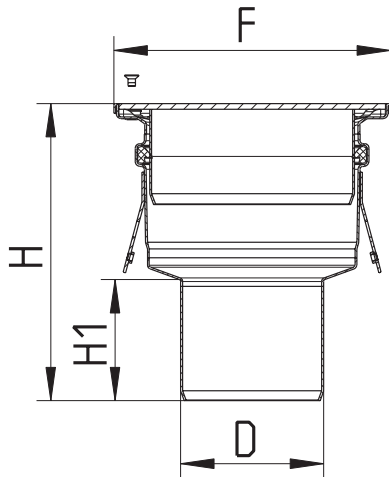
SPECIFICATION: BLÜCHER BCO-120 AISI Type 304 stainless steel floor cleanout w/gasket seal square top for vacuum handle cover removal, and no hub pipe connection.



Options		
Suffix	Description	
-316	Type 316 Stainless Steel	<input type="checkbox"/>

Load Rating
*MD

* The load classifications are in accordance with the American National Standards ASME A112.21.1M
 ASME Ratings are as follows:
 MD - Safe Live Load 2000-4999 lbs.(900-2250kg)
 The above categories are given as a guide only.
 Please consult factory.



Dimensional Chart

Model No.	Pipe Size <i>D</i>	Top Size <i>F</i>	<i>H</i>	<i>H1</i>
BCO-123	3"(75)	5-3/4"x5-3/4"(145x145)	6-3/16"(156)	2-1/2"(63)
BCO-124	4"(110)	5-3/4"x5-3/4"(145x145)	4-3/4"(120)	-
BCO-126	6"(160)	8"x8"(200x200)	6-1/4"(159)	-

Job Name _____ Contractor _____
 Job Location _____ Approval _____
 Engineer _____ Contractor's P.O. No. _____
 Approval _____ Representative _____