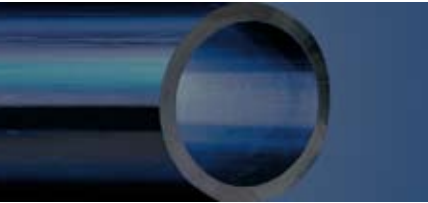


IPS Fittings MJ Adapter Kit (Mechanical Joint Adapter)



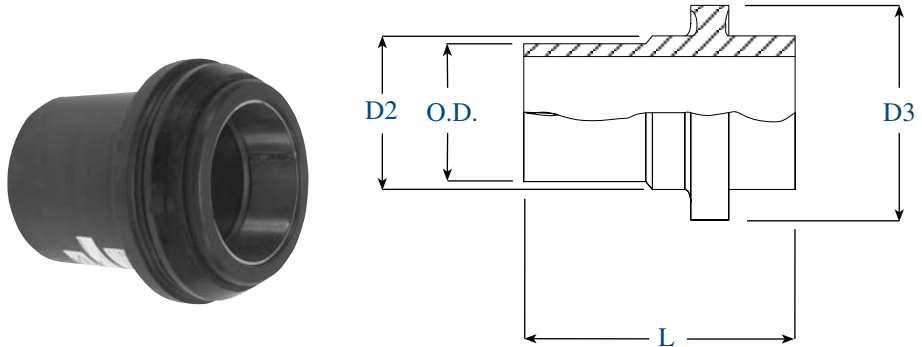
IPS
HDPE
Fittings

Pressure Rating of MJ Adapter are equal to pipe of same DR.

MJ Adapter from 3608 resin:	
DR	Pressure Rating
7	267 psi
9	200 psi
11	128 psi
13.5	128 psi
15.5	110 psi
17	100 psi
21	80 psi
26	64 psi
32.5	51 psi

MJ Adapter from 4710 resin:	
DR	Pressure Rating
7	336 psi
9	252 psi
11	202 psi
13.5	161 psi
15.5	139 psi
17	126 psi
21	101 psi
26	81 psi
32.5	64 psi

Note: Size/DR listings shown are commonly requested. Many DR options not listed are available. Please consult an ISCO representative for availability.



The MJ Adapter Kit consist of: HDPE MJ Adapter with metal insert, Metal Gland, Gasket, and attachment Bolts and Nuts.



IPS Fittings MJ Adapter (Mechanical Joint Adapter)								
Nominal Size (in)	Pipe OD (in)	DR	Part #	Dimensions			Weight (lbs)	Shipping Method
				L (in)	D2 (in)	D3 (in)		
2	2.375	9	ISMFMJ0209IPS	8	2.375	3.5	10	FedEx
		11	ISMFMJ0211IPS	"	"	"	9	"
3	3.5	9	ISMFMJ0309IPS	8	3.96	5.37	11	FedEx
		11	ISMFMJ0311IPS	"	"	"	10	"
4	4.5	9	ISMFMJ0409IPS	8	4.8	6.625	13	FedEx
		11	ISMFMJ0411IPS	"	"	"	12	"
6	6.625	9	ISMFMJ0609IPS	9	6.9	8.625	23	FedEx
		11	ISMFMJ0611IPS	"	"	"	18	"
8	8.625	9	ISMFMJ0809IPS	11.5	9.05	10.75	36	FedEx
		11	ISMFMJ0811IPS	"	"	"	35	"
10	10.75	9	ISMFMJ1009IPS	11.5	11.1	13.2	48	FedEx
		11	ISMFMJ1011IPS	"	"	"	45	"
12	12.75	9	ISMFMJ1209IPS	11.5	13.2	15.38	62	FedEx
		11	ISMFMJ1211IPS	"	"	"	60	"
14	14	9	ISMFMJ1409IPS	12.5	15.3	17.5	87	FedEx
		11	ISMFMJ1411IPS	"	"	"	84	"
16	16	9	ISMFMJ1609IPS	12.5	17.4	20	120	FedEx
		11	ISMFMJ1611IPS	"	"	"	115	"
18	18	9	ISMFMJ1809IPS	12.5	19.5	22	132	LTL
		11	ISMFMJ1811IPS	"	"	"	125	"
20	20	11	ISMFMJ2011IPS	14	21.6	24	165	LTL
24	24	11	ISMFMJ2411IPS	16	25.8	28	225	LTL

* ALL WEIGHTS INCLUDE GLAND PACKS

1-800-345-ISCO
www.isco-pipe.com

