



# SPECIFICATIONS UB80

## FEATURES

- Angled baffle, ultra two-way system
- 8-in LF/1.3-in tweeter on Wave Guide Plate™ (120° conical coverage pattern)
- Asymmetrical enclosure mounts against wall and ceiling
- High output, high definition sound from an ultracompact enclosure

## DESCRIPTION

A 2-way full range system (passive LF/HF crossover) in an ultracompact asymmetrical enclosure. Includes an 8-in woofer and a 1.3-in soft dome tweeter on a Wave Guide Plate™.

## APPLICATIONS

The UB80 is engineered to provide high definition, high output in demanding nearfield applications. Unique enclosure shape offers exceptional flexibility in difficult mounting locations. Comprehensive mounting/suspension points. Six year warranty.

Applications include:

- Large Theaters (underbalcony fill/delay)
- Small Theaters (underbalcony fill/delay)
- MultiMedia
- Boardrooms
- Small HOW's (distributed)
- Large Retail Spaces (distributed)

## PERFORMANCE

### Frequency Response (1 Watt @ 1m)

±3 db	75 Hz to 17 kHz
-10 dB	55 Hz

### Axial Sensitivity (dB SPL, 1 Watt @ 1m)

92

### Impedance (Ohms)

8

### Power Handling, AES Standard (Watts)

180

### Calculated Maximum Output (dB SPL @ 1m)

Peak	120.6
Long Term	114.6

### Nominal Coverage Angle, -6 dB Points (degrees)

Conical 120

### Recommended High-Pass Frequency

24 dB/Octave 50 Hz



## PHYSICAL

LF Subsystem	1x 8-in cone, vented	
HF Subsystem	1x 1.3-in soft dome tweeter on Wave Guide Plate™	
Configuration	2-way, full range, overhead mount	
Powering	Passive	
Cabinet Type (shape)	Irregular pentagon	
Enclosure Materials	Baltic birch plywood	
Finish	Black catalyzed polyurethane	
Connectors	2x Neutrik NL4 Speakon 2-terminal barrier strip	
Suspension Hardware	(2) 3/8"-16 threaded suspension points (1 per side) Plus 4 1/4"-20 threaded mounting points on back for Omnimount Series 75	
Grille	Vinyl coated perforated sheet	
Mounting Bracket	980003	
<b>Dimensions</b>	<b>Inches</b>	<b>Millimeters</b>
Height	11.75	298
Width	19.75	502
Depth	9.63	245
<b>Weights</b>	<b>Pounds</b>	<b>Kilograms</b>
Net Weight	45	20.5
Shipping Weight	51	23.2



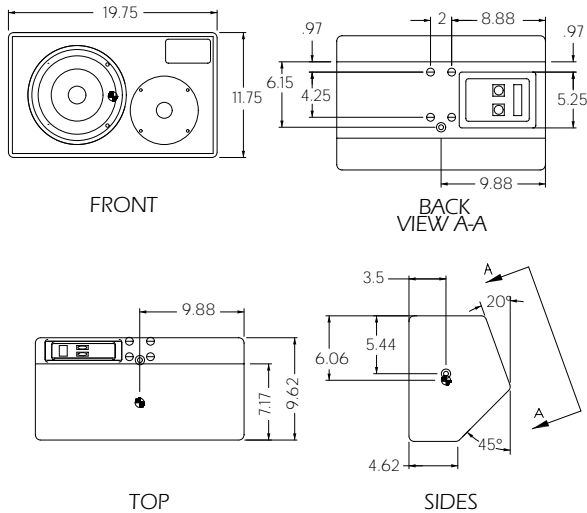


# SPECIFICATIONS UB80

## DIMENSIONAL DRAWING

### UB80

- 3/8-16 MOUNTING POINT
- 1/4-20 MOUNTING POINT FOR ONMIMOUNT SERIES 75
- ALL DIMENSIONS IN INCHES UNLESS OTHERWISE SPECIFIED.
- CENTER OF GRAVITY.



510280 EXP 4/1/97 SHB

## A & E SPECIFICATIONS

The two-way full range loudspeaker systems shall incorporate an 8-in LF transducer and a 1.3-in soft dome tweeter HF transducer.

The LF driver shall be mounted in a vented enclosure tuned for optimum low frequency response. The HF driver shall be loaded on an axis-symmetrical wave guide plate with a nominal coverage pattern of 120° (conical). An internal passive filter network shall provide fourth order acoustical crossover and system equalization.

System frequency response shall vary no more than  $\pm 3$  dB from 75 Hz to 17 kHz measured on axis. The loudspeaker shall produce a Sound Pressure Level (SPL) of 92 dB SPL on axis at 1 meter with a power input of 1 Watt, and shall be capable of producing a peak output of 120.6 SPL on axis at 1 meter. The loudspeaker shall handle 180 Watts of amplifier power (AES Standard) and shall have a nominal impedance of 8 Ohms.

The loudspeaker enclosure shall be irregularly pentagonal in shape. It shall be constructed of 1/2-in thickness void-free cross-grain-laminated Baltic birch plywood and shall employ extensive internal bracing. It shall be finished in black catalyzed polyurethane. Input connectors shall be 2-terminal barrier strip and dual Neutrik NL4 Speakon. A total of two 3/8"-16 Threaded Mounting Points (1 each per side) and four 1/4"-20 Threaded Mounting Points (on rear to accept Omnimount Series 75) shall be provided. The front of the loudspeaker shall be covered with a vinyl coated perforated steel grille.

The two-way full range loudspeaker shall be the EAW model UB80.