

Comet-BA4 and Comet-BA11 Bridge Adapter

Technical Specifications

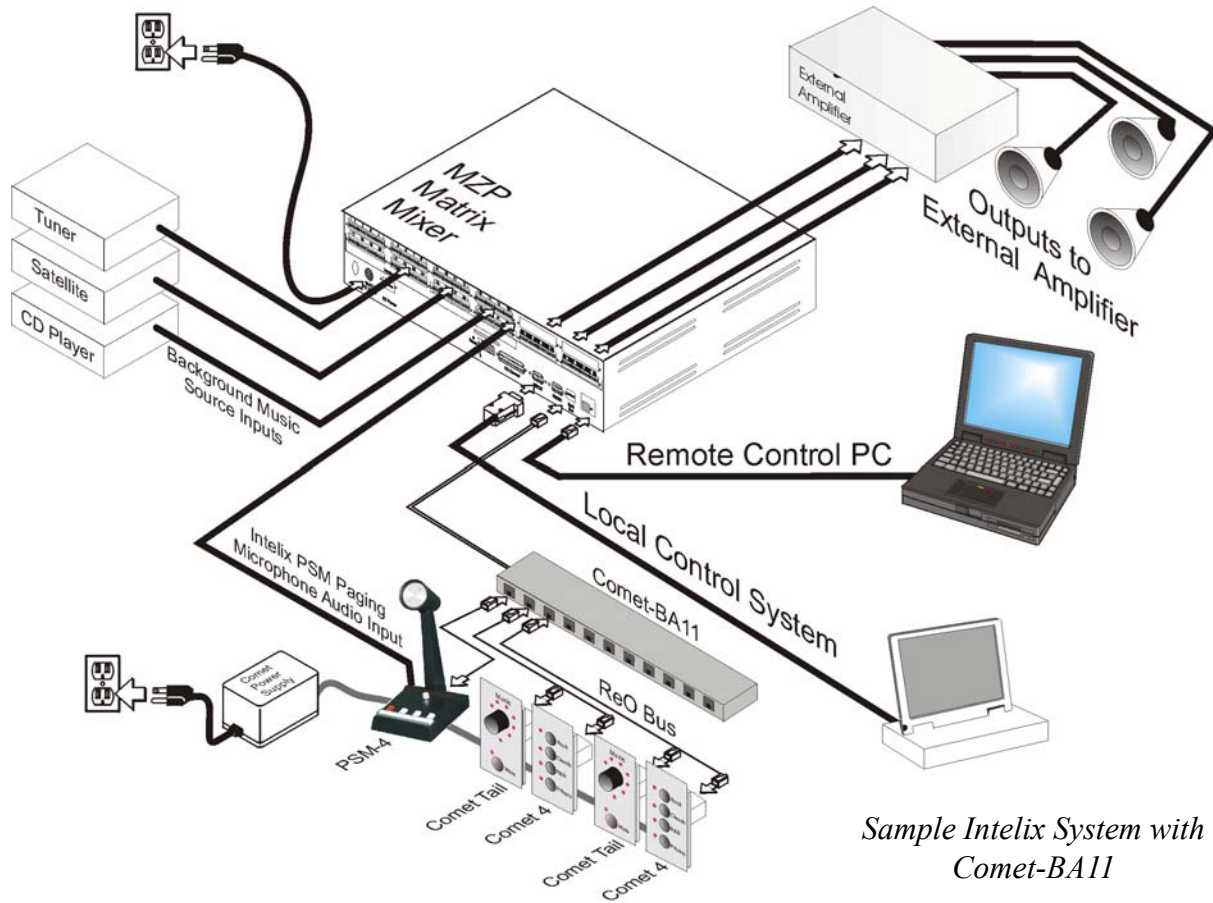


Comet-BA4 (top) & Comet-BA11 (bottom)

The Intelix Comet-BA4 and Comet-BA11 bridge adapters simplify Intelix Comet remote wiring while providing a diagnostic interface which helps to reduce cabling errors.

The Comet-BA4 distributes one RJ45 input to four RJ45 outputs, whereas the Comet-BA11 distributes one input to eleven outputs. The Comet-BA4 and Comet-BA11's completely passive, modular design ensures a clean remote wiring bus.

For more information, please visit www.intelix.com or contact Intelix directly at 1-866-4-MATMIX.



Sample Intelix System with Comet-BA11

Specifications

Comet-BA4

Physical Dimensions	4.1" x 1.0" x 1.75"
Connectors	Five (5) RJ45
Operation	Completely passive
Intelix Part Number	Comet-BA4
Included Accessories	Mounting Velcro

Comet-BA11

Physical Dimensions	7.9" x 1.0" x 1.6"
Connectors	Twelve (12) RJ45
Operation	Completely passive
Intelix Part Number	Comet-BA11
Chassis Mounting	Two (2) Recessed Screw Holes
Included Accessories	Mounting Velcro

www.intelix.com

intelix
DESIGN WITH INTELLIGENCE

2222 Pleasant View Road
Suite #1
Middleton, WI 53562

Phone: 608-831-0880
Toll-Free: 1-866-4-MATMIX
Fax: 608-831-1833