

# PRODUCTIONVIEW™ RACK CONSOLE

Dual Bay, Slant-top Rack Console for ProductionVIEW Controller and Other Rack Mount Accessories



**Figure 1:**

**ProductionVIEW Rack Console**

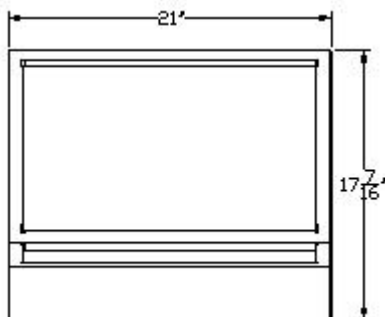
Part # 998-5000-100 pictured with Vaddio equipment not included: ProductionVIEW Controller, Vaddio Quick-Connect™ 4, Vaddio MicVIEW™ Mic Switcher/Mixer, Quick-Connect Panel for Vaddio WallVIEW™ 300 PTZ assorted blank panels and 4x4" Rack Mount Video Monitors.

**ProductionVIEW Rack Console Features:**

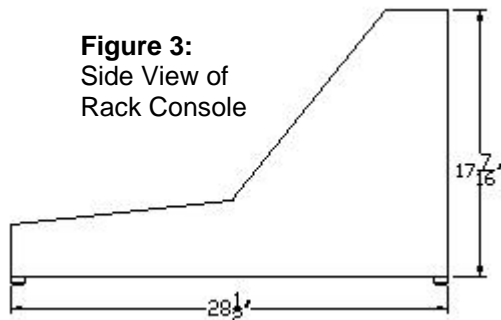
- Dual Rack Bay Design
  - 8RU Upper rack bay (14" / 35.56cm) for mounting Peripheral Equipment
  - 7RU Lower rack bay (12.25" / 31.11cm) for ProductionVIEW (6RU) and single blank (1RU)
- Heavy duty aluminum construction with attractive black powdercoat finish
- Air-Flow design to facilitate cooling air flow within the back of the rack cabinet with the provision of a cabling channel for easy cable routing
- 6° Slant on Lower Bay to enhance the viewing angle of the built-in 4" (10.16cm) LCD monitor in the ProductionVIEW
- 39° Slant on Upper Bay for optimal viewing of the front panels in the upper bay

**Rack Console Dimensions:**

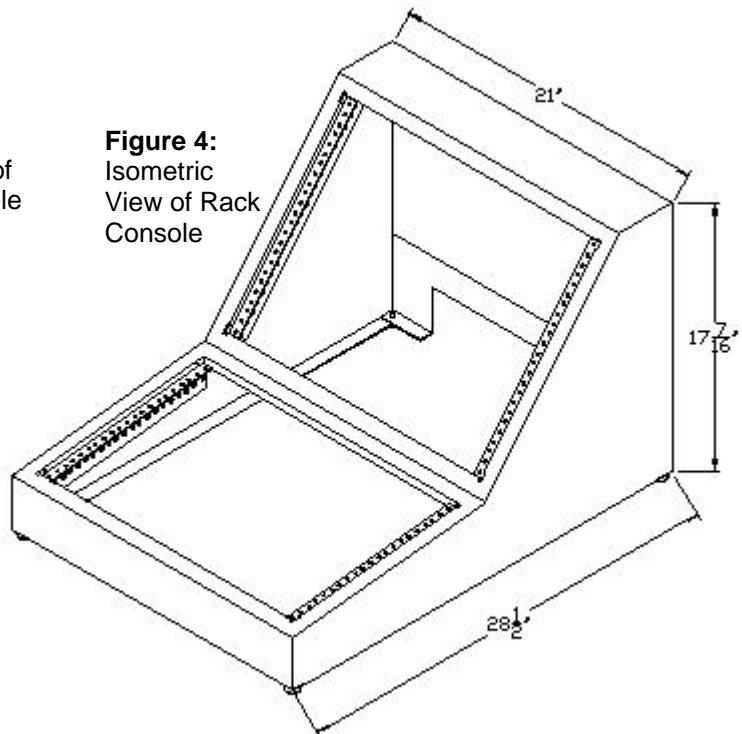
(Figures 2, 3 & 4)



**Figure 2:**  
Front View of  
Rack Console



**Figure 3:**  
Side View of  
Rack Console



**Figure 4:**  
Isometric  
View of Rack  
Console