



MI-SAD

MEDIUM SECURITY ACCESS DOOR

Internet address: www.mifab.com

Toll Free: 1-800-465-2736

Canada Toll Free: 1-800-387-3880



SERIES MI-SAD

MEDIUM SECURITY ACCESS DOOR

DESCRIPTION

The MIFAB® MI-SAD medium security access door is designed for drywall, masonry, or concrete construction, providing the security required in today's schools, hospitals, hotels, and correctional institutions. It has a unique white finish.

SPECIFICATIONS

Material MI-SAD Series is 12 gage steel door and 3/16" (4) angle steel frame. The MI-SAD-SS stainless steel Series is 12 gage #304 stainless steel door and frame.

Finish Steel doors have a primed white finish. Stainless steel doors have a #4 brush satin finish.

Door Frame Flush to frame. 3/16" (4) x 1 1/2" (38) x 1 1/2" (38) angle steel, angle welded with joints ground smooth. The frame has pre-punched 3/16" (4) mounting holes for easy installation.

Hinge Two heavy duty butt hinges welded to the door and frame.

Latch Standard - Cylinder key lock. All of MIFAB's cylinder key locks are keyed alike.

Packaging One door per carton.

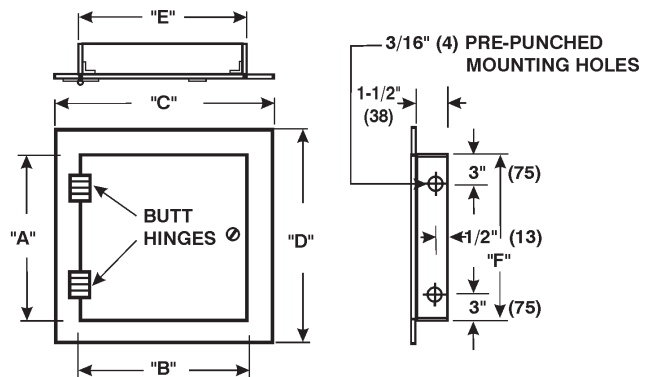
STANDARD SIZES (special sizes available upon request)

DOOR SIZE		WALL OPENING		SHIPPING WEIGHT		LAT-CHES
Inches	mm	Inches	mm	lbs.	kg.	
"B" x "A"	"B" x "A"	Inches	mm	lbs.	kg.	
8 x 8	203 x 203	8 3/8 x 8 3/8	213 x 213	4.0	1.8	1
10 x 10	254 x 254	10 3/8 x 10 3/8	264 x 264	5.5	2.5	1
12 x 12	305 x 305	12 3/8 x 12 3/8	314 x 314	7.0	3.1	1
14 x 14	356 x 356	14 3/8 x 14 3/8	365 x 365	8.0	3.6	1
16 x 16	406 x 406	16 3/8 x 16 3/8	416 x 416	10.0	4.5	1
18 x 18	457 x 457	18 3/8 x 18 3/8	467 x 467	12.0	5.4	1
18 x 24	457 x 610	18 3/8 x 24 3/8	467 x 619	16.0	7.2	1
22 x 22	559 x 559	22 3/8 x 22 3/8	568 x 568	17.5	7.9	1
24 x 24	610 x 610	24 3/8 x 24 3/8	619 x 619	20.5	9.3	1
24 x 30	610 x 762	24 3/8 x 30 3/8	619 x 772	24.0	10.9	1
24 x 36	610 x 914	24 3/8 x 36 3/8	619 x 924	28.0	12.7	2
30 x 30	762 x 762	30 3/8 x 30 3/8	772 x 772	28.5	12.9	2
36 x 36	914 x 914	36 3/8 x 36 3/8	924 x 924	41.5	18.8	2

A-B Door Size

C-D Overall Dimensions - Door Size - Plus 3" (75)

E-F Wall Opening - Door Size - Plus 3/8" (9)



OPTIONAL VARIATIONS:

Stainless steel

suffix -SS

(Dimension) Denotes Millimetres

NOTE: The hinge is always furnished on the "A" or height (longer) dimension, unless otherwise specified.