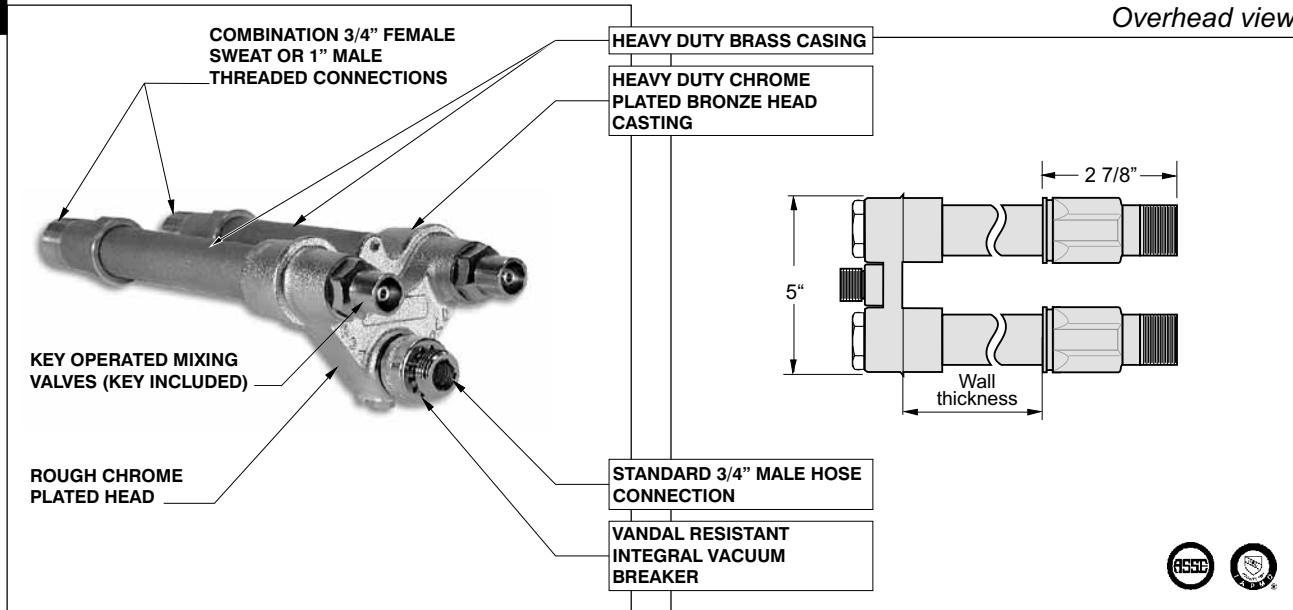


MHY-40
SERIES

DUAL TEMPERATURE (HOT & COLD) WALL HYDRANT

MHY-40 SERIES

Overhead view



| MHY-40 SERIES: | | | |
|-----------------|---------------------|---------|------------|
| MODEL NO. | WALL THICKNESS (IN) | WT Lbs. | LIST PRICE |
| MHY-40-4,6,8 | 4-6-8 | 8.00 | \$1571.00 |
| MHY-40-10,12,14 | 10-12-14 | 10.00 | \$1631.00 |
| MHY-40-16,18 | 16-18 | 12.00 | \$1809.00 |
| MHY-40-20,24 | 20-24 | 16.00 | \$1921.00 |

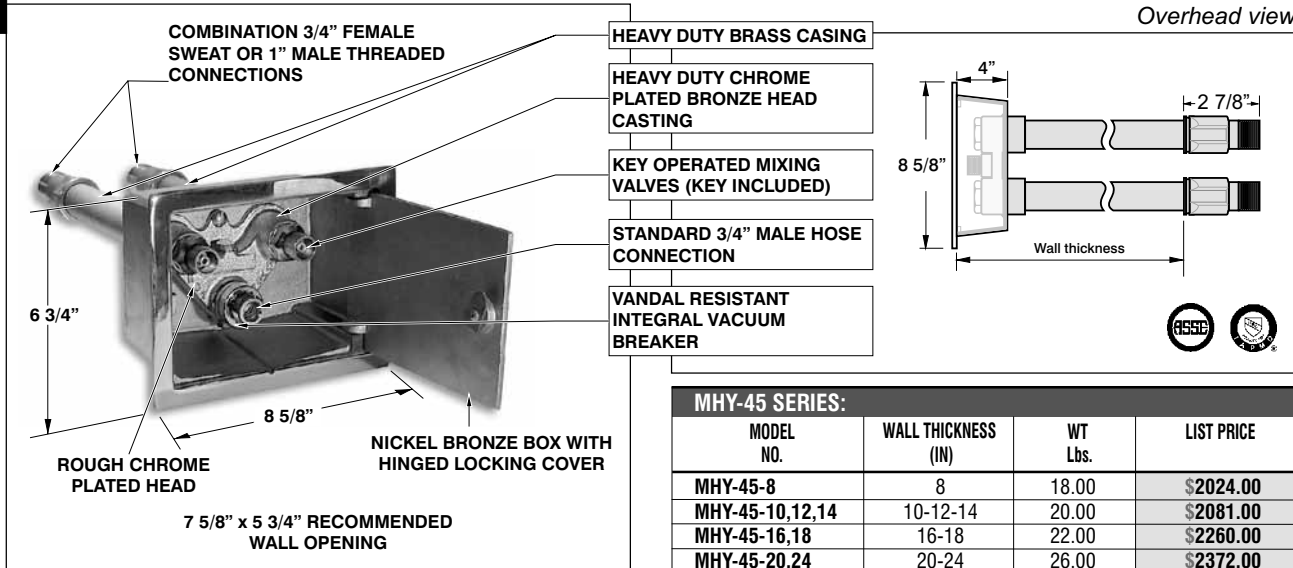
| MHY-40 OPTIONAL VARIATIONS: | | | | | |
|-----------------------------|--|------------|--------------|---------------------------------|------------|
| SUFFIX | DESCRIPTION | LIST PRICE | SUFFIX | DESCRIPTION | LIST PRICE |
| -0 | 1" hose connection | \$ 111.00 | MHY-CIA-4000 | Hydrant repair kit (2 required) | \$ 352.00 |
| -6 | 3/4" IPS 90 degree elbow and union nut | \$ 49.00 | -WC | Wall clamp | No Add |

MHY-45
SERIES

NON-FREEZE ENCASED DUAL TEMP WALL HYDRANT

MHY-45 SERIES

Overhead view



| MHY-45 SERIES: | | | |
|-----------------|---------------------|---------|------------|
| MODEL NO. | WALL THICKNESS (IN) | WT Lbs. | LIST PRICE |
| MHY-45-8 | 8 | 18.00 | \$2024.00 |
| MHY-45-10,12,14 | 10-12-14 | 20.00 | \$2081.00 |
| MHY-45-16,18 | 16-18 | 22.00 | \$2260.00 |
| MHY-45-20,24 | 20-24 | 26.00 | \$2372.00 |

| MHY-45 OPTIONAL VARIATIONS: | | | | | |
|-----------------------------|--|------------|--------------|---------------------------------|------------|
| SUFFIX | DESCRIPTION | LIST PRICE | SUFFIX | DESCRIPTION | LIST PRICE |
| -0 | 1" Hose Connection | \$ 111.00 | -K | Cylinder lock | P.O.A. |
| -5 | 3/4" Female solder adapter | No Add | MHY-CIA-4000 | Hydrant repair kit (2 required) | \$ 352.00 |
| -6 | 3/4" IPS 90 degree elbow and union nut | \$ 49.00 | -WC | Wall clamp | No Add |
| -49 | Cast Chrome plated box | \$ 181.00 | | | |

Design and dimensions are subject to modification. Prices do not include applicable taxes. Visit www.mifab.com for the most recent product information.

MIFAB, Inc., 1321 West 119th Street, Chicago, Illinois 60643-5109, USA

Toll Free 1-800-465-2736, Fax 773-341-3049

All sales subject to MIFAB's Terms and Warranties. Please refer to inside front cover.

HYDRANTS