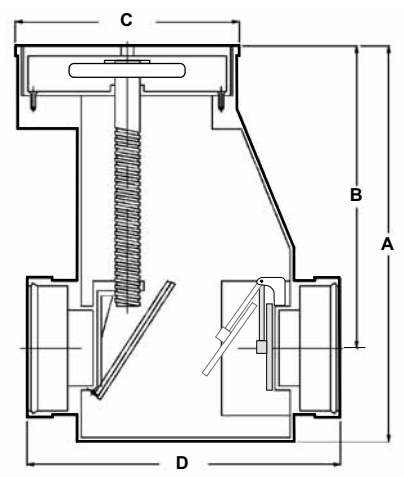
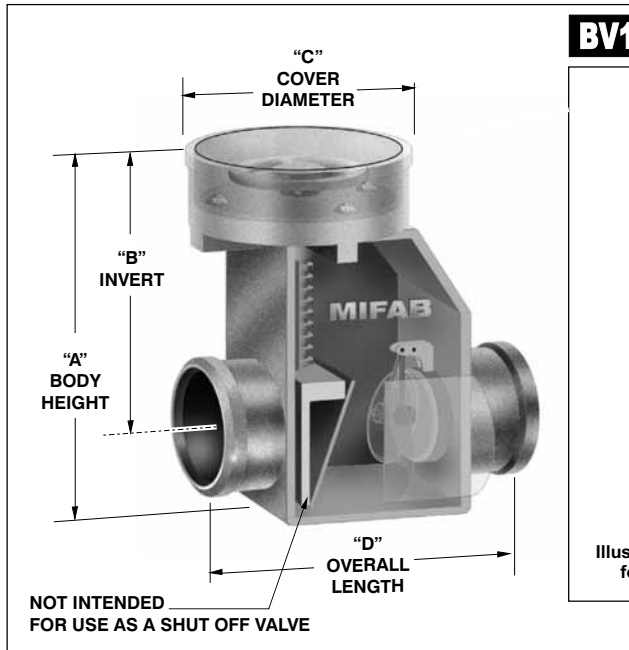


BV1300 SERIES MANUALLY OPERATED GATE TYPE BACKWATER VALVE

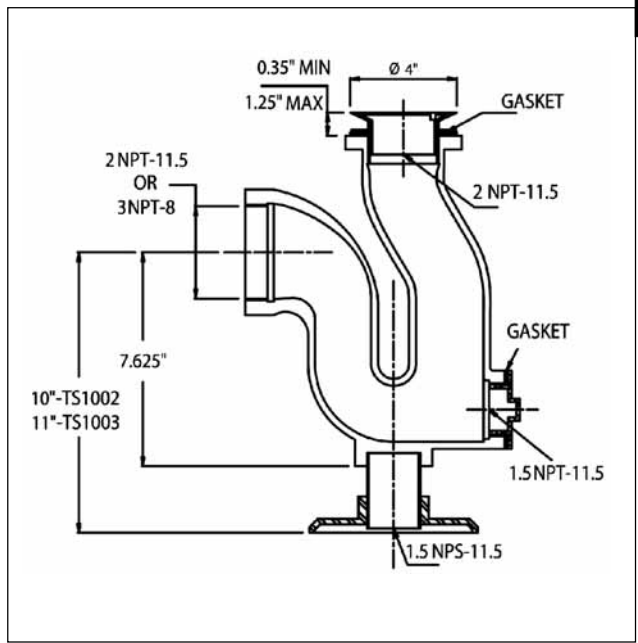
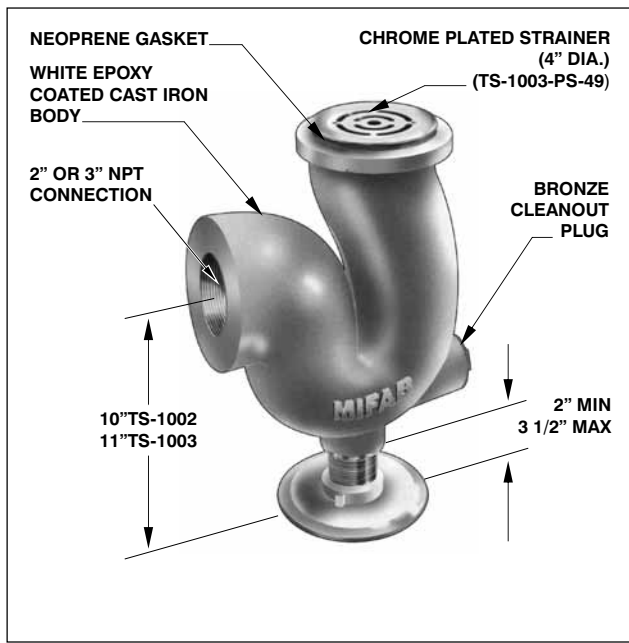


BV1300 DIMENSIONS				
PIPE SIZE	"A" BODY HEIGHT	"B" INVERT	"C" COVER DIAMETER	"D" LENGTH
4" (102)	15 3/4" (400)	12" (205)	8" (203)	14" (356)
6" (152)	19" (483)	14 1/2" (368)	10 1/2" (368)	16" (406)

MODEL NUMBER	"A" PIPE SIZE	WEIGHT (Lbs)	LIST PRICE
BV1304	4" No hub	80.00	\$ 2293.00
BV1306	6" No hub	120.00	\$ 3519.00

BV1300 OPTIONAL VARIATIONS:		
SUFFIX	DESCRIPTION	LIST PRICE
-13	All galvanized (Min. order 25 pcs. or P.O.A.)	\$ 691.00
-15x12	12" extension (BV1304)	P.O.A.
-15x12	12" extension (BV1306)	P.O.A.
-15x24	24" extension (BV1306)	P.O.A.
-15x24	24" extension (BV1306)	P.O.A.
-34G	Bronze flapper valve	No add

TS1000 SERIES TRAP STANDARD



MODEL NUMBER	DESCRIPTION	WEIGHT (Lbs)	LIST PRICE
TS1002,3	Trap Standard	22.00	\$ 469.00

TS1000 OPTIONAL VARIATIONS:		
SUFFIX	DESCRIPTION	LIST PRICE
-11	Acid resistant coating Inside & Out (Min. order 25 pcs. or P.O.A.)	\$ 146.00

Design and dimensions are subject to modification. Prices do not include applicable taxes. Visit www.mifab.com for the most recent product information.

BACKWATER VALVES