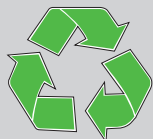


YOUR ROOFTOP SUPPORT SOLUTION



**Gas &
Refrigeration
Pipe Supports,
Sleepers
& More**

**100% Recycled
Rubber**



**Environmentally Friendly
made of 100% recycled tires**

MIFAB, Inc. 1321 West 119th Street, Chicago, Illinois, 60643-5019, USA
Tel: 1-800-465-2736 Fax: 773-341-3049

www.mifab.com

KEY FEATURES AND BENEFITS

- **Qualifies for Leed credits.**
- **UV / Weather Resistant.**
- **No roof penetration required.**
- **Will not float or blow away.**
- **Made from 100% recycled rubber.**
- **All systems designed with vibration dampening capabilities.**
- **No need for supplemental rubber pad.**
- **All products available with stainless steel or aluminum trim for custom order applications.**
- **Safe for all types of roofs.**
- **Extends roof life.**
- **Reflective safety strip for easy visibility.**
- **Applications for:**
 - **Piping support**
 - **HVAC support**
 - **Roof walkway support**
 - **Duct support**
 - **Conduit support**
 - **Cable tray support**
 - **And more**

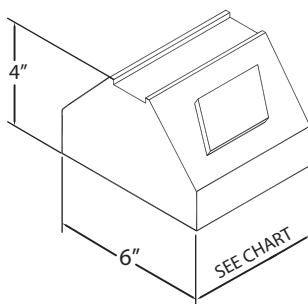
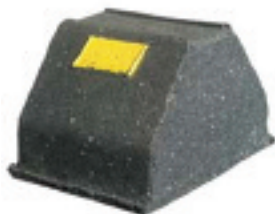


www.mifab.com





CXM MINI-PORT

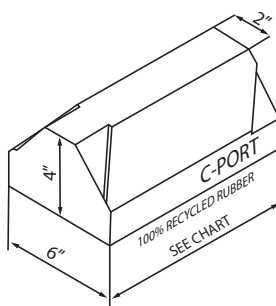


- Designed support for conduit and small piping.
- Installation on any roofing materials or other flat surfaces.
- Economical.
- **Maximum Load**
150 lbs.



Model No.	Height	Width	Base Length	Weight (lbs.)
CXM	4" (101mm)	6" (152mm)	4.5" (113mm)	2.60 lbs.

CX-VALUE SERIES



- Designed for gas piping systems, electrical conduit systems, HVAC equipment and other applications.
- Installation on any roofing materials or other flat surfaces.
- Material accepts screw fasteners.
- **Base only dimensions**
4" High x 6" Wide x 9.6" and 22" Base Length.
- **Maximum load**
500 lbs.



Model No.	Height	Width	Base Length	Weight (lbs.)
CXP	4" (101mm)	6" (152mm)	9.6" (244mm)	4.56 lbs.
CXP-2	4" (101mm)	6" (152mm)	22" (558.8mm)	10.45 lbs.

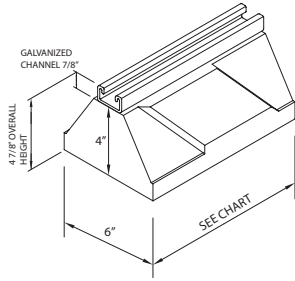


www.mifab.com





C-SERIES

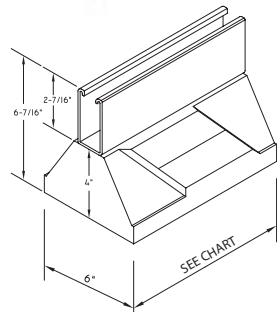


- Support of gas and refrigeration piping systems, cable tray, electrical conduits, multiple lines, HVAC equipment and other applications.
- Base with 14 ga. Galv. Channel (13/16" high).
- Installation on any roofing materials or other flat surfaces.
- **Maximum Load** 600 lbs./ft.
- **Note:** Consult roofing manufacturer or engineer for roof loading and compatibility.



Model No.	Height	Width	Base Length	Weight (lbs.)
C5	4 7/8" (122mm)	6" (152mm)	5" (125mm)	3.32 lbs.
C10	4 7/8" (122mm)	6" (152mm)	9.6" (244mm)	5.30 lbs.
C20	4 7/8" (122mm)	6" (152mm)	22" (558.8mm)	11.23 lbs.
C30	4 7/8" (122mm)	6" (152mm)	28.8" (731mm)	16.31 lbs.
C40	4 7/8" (122mm)	6" (152mm)	38.5" (978mm)	21.72 lbs.
C48	4 7/8" (122mm)	6" (152mm)	48" (1219mm)	27.12 lbs.
C10SS	4 7/8" (122mm)	6" (152mm)	9.6" (244mm)	6.98 lbs.

C6-SERIES



- Support of gas and refrigeration piping systems, cable tray, electrical conduits, multiple lines, HVAC equipment and other applications.
- Base with 14 ga. Galv. Channel (2 7/16" high).
- Installation on any roofing materials or other flat surfaces.
- **Maximum Load** 600 lbs./ft.
- **Note:** Consult roofing manufacturer or engineer for roof loading and compatibility.



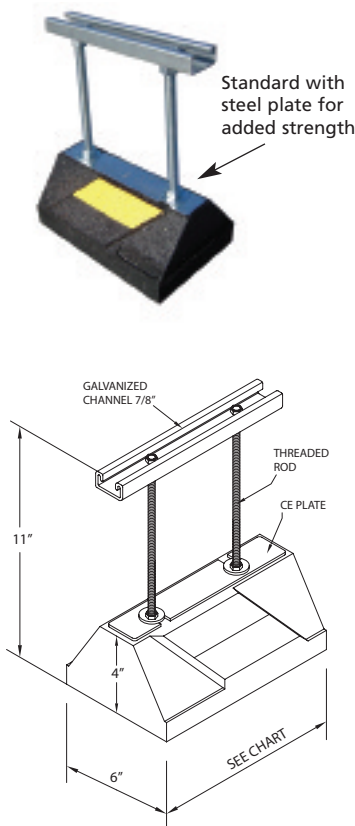
Model No.	Height	Width	Base Length	Weight (lbs.)
C610	6 7/16" (165mm)	6" (152mm)	9.6" (244mm)	6.75 lbs.
C620	6 7/16" (165mm)	6" (152mm)	22" (558.8mm)	14.30 lbs.
C630	6 7/16" (165mm)	6" (152mm)	28.8" (731mm)	20.02 lbs.
C640	6 7/16" (165mm)	6" (152mm)	38.5" (978mm)	26.67 lbs.
C648	6 7/16" (165mm)	6" (152mm)	48" (1219mm)	33.24 lbs.



www.mifab.com



CE-EXTENSION SERIES



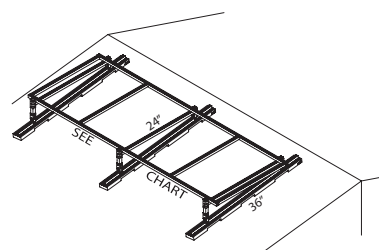
- Installation on any roofing materials or other flat surfaces.
- Extended support for gas and refrigeration piping systems, cable tray and conduits.
- Can be used with pipe straps and clamps.
- Adjustable heights.
- Ideal for sloping return.
- Base with two (2) 1/2" Electro Zinc All Threaded Rod Risers and 14 ga. Galv. Channel (7/8" high).
- Overall Height - as specified.
- **Base**
4" High x 6" Wide x Length (base length).
- **Maximum Load**
200 lbs.
- **Note:** Consult roofing manufacturer or engineer for roof loading and compatibility.



Model No.	Height	Width	Base Length	Weight (lbs.)
CE10-8	8" (203mm)	6" (152mm)	9.6" (244mm)	6.14 lbs.
CE10-12	12" (305mm)	6" (152mm)	9.6" (244mm)	6.50 lbs.
CE20-16	16" (406mm)	6" (152mm)	22" (558.8mm)	13.65 lbs.

Available in corrosion resistant stainless steel or aluminum.

CP-PLATFORM SERIES ("MR. SLIM")



- Designed as a non-penetrating lightweight, bring to level platform surface.
- Use for air-conditioning, air-condensing units, HVAC, and other electrical units.
- Free-flow leg system allows water passage.
- Prohibits moss and mold growth.
- Easy to install.
- Easy movement brackets, suitable for all types of equipment.
- Adjustable.
- **Maximum Load**
600 lbs.
- **Note:** Consult roofing manufacturer or engineer for roof loading and compatibility.



Model No.	Width	Length	Base Length	Qty.	Weight (lbs.)
CP36-2436	24" (610mm)	36" (914mm)	36" (914mm)	2	67.08 lbs.
CP36-2448	24" (610mm)	48" (1219mm)	36" (914mm)	2	70.92 lbs.
CP36-2472	24" (610mm)	72" (1829mm)	36" (914mm)	3	102.50 lbs.

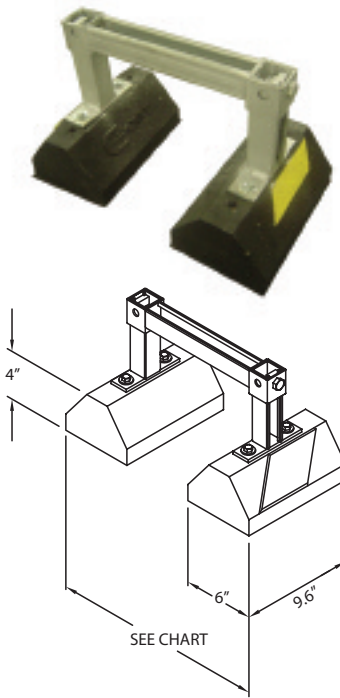


www.
mifab.com





CES-SERIES (Medium Load)

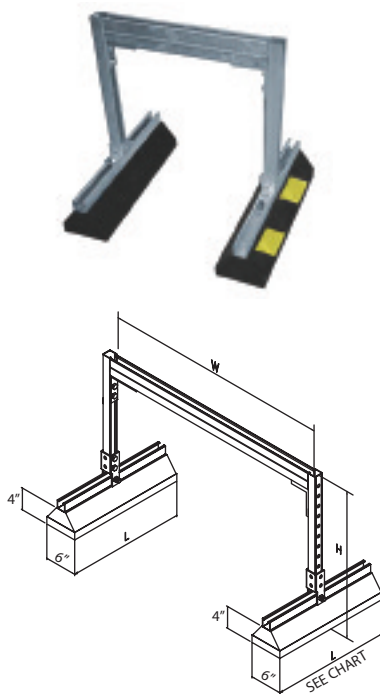


- Installation on any roofing materials or other flat surfaces.
- Medium duty pipe support for heavier elevated pipe applications.
- Recommended for pipes 2" in diameter and up.
- **Base:**
Dimensions
10" High x 12" and 24" Wide x 9.6" Base Length.
- **Crossbeam & Uprights:**
1 5/8" x 1 5/8" x 12" ga. galvanized steel strut
- **Clamps:** suitable for use with 2 piece pipe clamps.
- **Load Rating**
150 - 500 lbs.
- **Note:** Consult roofing manufacturer or engineer for roof loading and compatibility.



Model No.	Height	Width	Base Length	Weight (lbs.)
CES10-1012	10" (254mm)	12" (305mm)	9.6" (244mm)	14.21 lbs.
CES10-1024	10" (254mm)	24" (610mm)	9.6" (244mm)	15.62 lbs.

CESH-SERIES (Heavy Load)



- Heavy duty pipe support for heavier pipe applications.
- Recommended for pipes 4" in diameter and up.
- Made for multiple pipe applications.
- Installation on any roofing materials or other flat surfaces.
- **Base Only:**
Dimensions
16" High x 24" and 36" Wide x 22" Extension.
- **Clamps:** suitable for use with 2 piece pipe clamps.
- **Material:**
Crossbeam - 1 5/8" x 3 1/4" galvanized steel back to back strut.
Upright - 1 5/8" x 1 5/8" x 12" ga. galvanized steel strut.
- **Load Rating**
500 - 750 lbs.
- **Note:** Consult roofing manufacturer or engineer for roof loading and compatibility.



Model No.	Height	Width	Base Length	Weight (lbs.)
CESH20-1624	16" (406mm)	24" (610mm)	22" (558.8mm)	45.02 lbs.
CESH20-1636	16" (406mm)	36" (914mm)	22" (558.8mm)	48.34 lbs.



www.
mifab.com

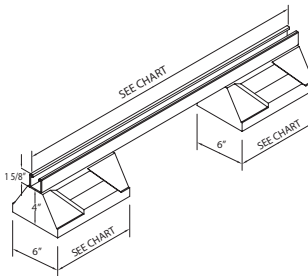




CB-BRIDGE SERIES



- Designed as sleeper for HVAC equipment, cable tray, roof walkway systems, refrigeration equipment and other applications.
- Two (2) bases bridged with 12 ga. Galv. Channel (1 5/8" high).
- Installation on any roofing materials or other flat surfaces.
- **Dimensions**
5 5/8" High x 9.6" Curb Length x Strut Length (overall length).
- **Maximum Load**
Each base rated at 500 lbs.
- **Note:** Consult roofing manufacturer or engineer for roof loading and compatibility.

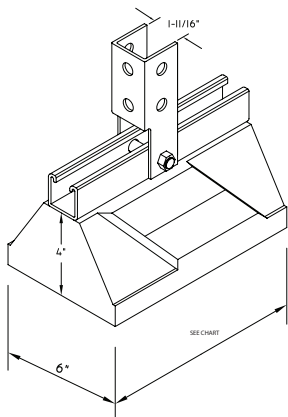


Model No.	Height	Curb Length	Strut Length	Weight (lbs.)
CB10-28	5 5/8" (143mm)	9.6" (244mm)	28" (711mm)	13.59 lbs.
CB10-36	5 5/8" (143mm)	9.6" (244mm)	36" (914mm)	14.88 lbs.
CB10-42	5 5/8" (143mm)	9.6" (244mm)	42" (1067mm)	15.66 lbs.
CB10-50	5 5/8" (143mm)	9.6" (244mm)	50" (1270mm)	17.24 lbs.
CB10-60	5 5/8" (143mm)	9.6" (244mm)	60" (1524mm)	18.79 lbs.

CS-VARI-ANGLE SERIES



- Suitable for sloped or uneven surfaces.
- Designed for ventilation, duct, roof walkway systems, and HVAC equipment.
- Adapter leg will accommodate 1 5/8" x 1 5/8" steel strut framing.
- Base with 12 ga. Galv. Channel (1 5/8" high) and Adapter Leg.
- **Adapter Fitting**
1 7/8" x 1 7/8" U-shaped with 9/16" holes on all four (4) sides.
- **Maximum Load**
500 lbs.
- **Note:** Consult roofing manufacturer or engineer for roof loading and compatibility.



Model No.	Height	Width	Base Length	Weight (lbs.)
CS10	5 5/8" (143mm)	6" (152mm)	9.6" (244mm)	7.97 lbs.
CS20	5 5/8" (143mm)	6" (152mm)	22" (558.8mm)	15.07 lbs.
CS30	5 5/8" (143mm)	6" (152mm)	28.8" (731mm)	20.29 lbs.
CS40	5 5/8" (143mm)	6" (152mm)	38.5" (978mm)	26.43 lbs.
CS48	5 5/8" (143mm)	6" (152mm)	48" (1219mm)	32.60 lbs.



www.
mifab.com



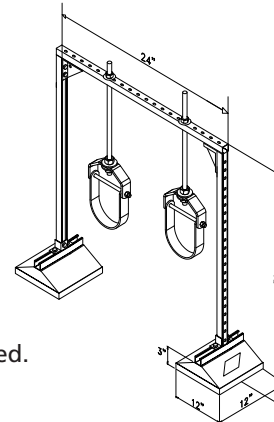
New Product

CESW-Widebody Medium Load



With our NEW 12"x12" widebody base.

- **Base** - 12" wide x base length (12", 24", 36")
- **Dimensions** - 36" High x 24" Wide x 12" Base Length
- **Material** - 100% recycled rubber base, UV resistant
- **Hangers** - Suitable for use with 2 pipe hangers
- **Crossbeam & Uprights** - 1 5/8" x 1 5/8" 12 ga. galvanized steel strut
 - Medium duty pipe support for heavier hanging pipe applications.
 - Recommended for pipes 2" in diameter and up.
- **Maximum Load** - 500 lbs.



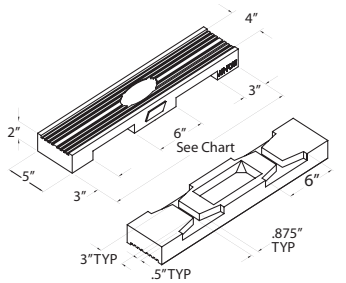
Note: Consult Roofing manufacturer or engineer for roof loading and compatibility.

Note: Pipe hangers not included.

Model No.	Height	Width	Base Length	Weight (lbs.)
CESW12-3624	36" (914mm)	24" (610mm)	12" (305mm)	31.12 lbs.

Available in corrosion resistant stainless steel and aluminum.

AIR-PORT UTILITY PADS



VIEW ON UNDERSIDE

- Designed to provide support for all electrical and HVAC equipment.
- Grooved recessed tray prevents movement and dampens vibration.
- Installation on any roofing materials or other flat surfaces.
- Allows water passage; Prevents growth of moss and mold.
- Lightweight.
- **Maximum Load:** 500lbs. (all sizes)
- **Note:** Consult roofing manufacturer or engineer for roof loading and compatibility.



Model No.	Height	Width	Base Length	Weight (lbs.)
AP24	2" (50mm)	5" (126mm)	24" (610mm)	7.12 lbs.
AP36	2" (50mm)	5" (126mm)	36" (914mm)	12.14 lbs.



www.
mifab.com

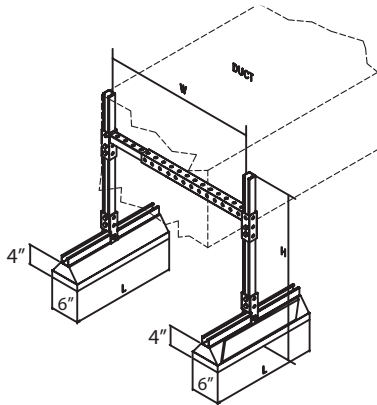




DSA-DUCT SUPPORT SERIES



- Designed as a cost effective non-penetrating duct support system.
- Designed to adapt to any roof pitch using vari-angle C-Port bases.
- Can be adhered to any roof membrane using approved adhesives (if required).
- Telescopic cross-beam gives flexibility to fit duct sizes.
- Easy on-site adjustability.
- **Telescopic Crossbeam:**
Outer piece Dimensions - 1 7/8" x 1 7/8"
Inner piece Dimensions - 1 5/8" x 1 5/8"
- **Telescopic Crossbeam Material**
 12 ga. galvanized steel.
- **Vari-Angle Bracket Dimensions**
 5 7/8" x 1 7/8".
- **Vari-Angle Bracket Material**
 1/4" Hot rolled, zinc plated carbon steel.
- **Curbs:**
Dimensions
 4" High x 6" Wide x Base Length (as specified).
- **Maximum Load**
 300 lbs.
- **Note:** Consult roofing manufacturer or engineer for roof loading and compatibility.



Model No.	Width		Base Length	Weight (lbs.)
	Minimum	Maximum		
DSA10-1831	18" (457mm)	31" (787mm)	10"(254mm)	39.90 lbs.
DSA10-3157	31" (787mm)	57" (1448mm)	10"(254mm)	45.10 lbs.
DSA10-57102	57" (1448mm)	102" (2591mm)	10"(254mm)	50.10 lbs.
DSA20-1831	18" (457mm)	31" (787mm)	20"(508mm)	50.25 lbs.
DSA20-3157	31" (787mm)	57" (1448mm)	20"(508mm)	55.45 lbs.
DSA20-57102	57" (1448mm)	102" (2591mm)	20"(508mm)	60.45 lbs.
DSA30-1831	18" (457mm)	31" (787mm)	30"(762mm)	55.90 lbs.
DSA30-3157	31" (787mm)	57" (1448mm)	30"(762mm)	61.10 lbs.
DSA30-57102	57" (1448mm)	102" (2591mm)	30"(762mm)	66.10 lbs.

Note: Uprights are not included. Strut can be cut to suit on job site.

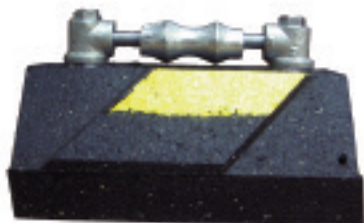


www.mifab.com

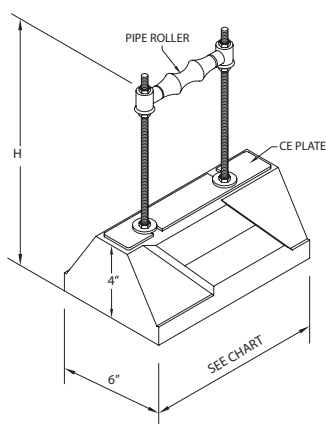




CR-ROLLER SERIES



CR-ROLLER SERIES



CRE-ROLLER EXTENSION SERIES

- For support of gas and refrigeration piping.
- Designed for horizontal pipe movement due to expansion and contraction.
- Installation on any roofing materials or other flat surfaces.
- Available with height extension of up to 20" (CRE Series).
- Cast iron, galvanized roller.
- Stainless steel pipe strap compatible.
- Rollers available in rubber upon request.
- Stainless steel pipe strap
- **Maximum Load CR Series:** 550 lbs.
- **Maximum Load CRE Series:** 200 lbs.
- **Note:** Consult roofing manufacturer or engineer for roof loading and compatibility.



CRE-ROLLER EXTENSION SERIES

Model No.	Pipe Dim. (")	Height	Width	Base Length	Weight (lbs.)
CR10-2	Up to 2" Pipe	5.25" (133.4mm)	6" (152mm)	9.6" (244mm)	7.72 lbs
CR10-4	2.5" to 4" Pipe	5.25" (133.4mm)	6" (152mm)	9.6" (244mm)	7.72 lbs
CR20-4	Up to 4" Pipe	5.25" (133.4mm)	6" (152mm)	22" (558.8mm)	13.75 lbs
CR20-6	4.5" to 6" Pipe	5.25" (133.4mm)	6" (152mm)	22" (558.8mm)	13.75 lbs
CR30-4	2.5" to 4" Pipe	5.25" (133.4mm)	6" (152mm)	28.8" (731mm)	18.83 lbs
CR30-6	4.5" to 6" Pipe	5.25" (133.4mm)	6" (152mm)	28.8" (731mm)	18.83 lbs
CRE10-8-2	Up to 2" Pipe	8" (203mm)	6" (152mm)	9.6" (244mm)	8.76 lbs
CRE10-8-4	2.5" to 4" Pipe	8" (203mm)	6" (152mm)	9.6" (244mm)	8.76 lbs
CRE10-12-2	Up to 2" Pipe	12" (305mm)	6" (152mm)	9.6" (244mm)	8.92 lbs
CRE10-12-4	2.5" to 4" Pipe	12" (305mm)	6" (152mm)	9.6" (244mm)	8.92 lbs

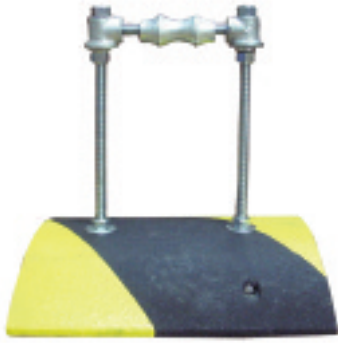


www.
mifab.com



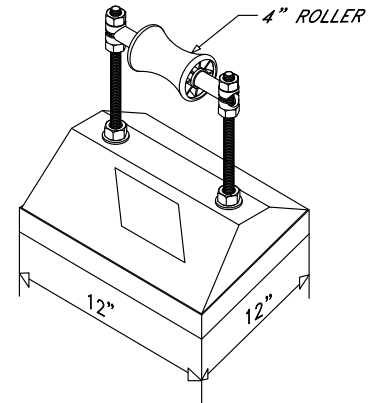
New Product

CREW - Widebody Roller Series



- New 12" wide x 12" base length
- New widebody series designed for superior stability and support.
- Support for gas and refrigeration piping.
- Installation on any roofing materials or other flat surfaces.
- Available with a 4" or 6", cast iron galvanized roller.
- Rollers available in rubber upon request.

Note: Consult roofing manufacturer or engineer for roof loading compatibility.



Model No.	Pipe Dim. (")	Height	Width	Base Length	Weight (lbs.)
CREW 12-12-2	Up to 2" Pipe	12" (305mm)	12" (305mm)	12" (305mm)	18.5 lbs.
CREW 12-12-4	2.5" to 4" Pipe	12" (305mm)	12" (305mm)	12" (305mm)	18.5 lbs.
CREW 12-12-6	4.5" to 6" Pipe	12" (305mm)	12" (305mm)	12" (305mm)	18.5 lbs.
CREW 12-16-2	Up to 2" Pipe	12" (305mm)	12" (305mm)	12" (305mm)	20 lbs.
CREW 12-16-4	2.5" to 4" Pipe	12" (305mm)	12" (305mm)	12" (305mm)	20 lbs.
CREW 12-16-6	4.5" to 6" Pipe	12" (305mm)	12" (305mm)	12" (305mm)	20 lbs.

New Product

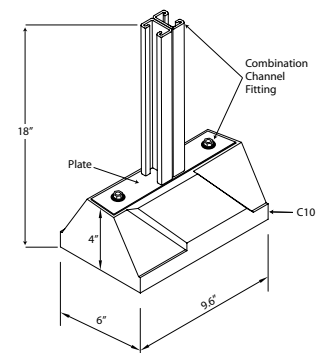
CC-Series



- Installation on any roofing materials or other flat surfaces.
- Designed for support of copper piping.
- Channel will accept strut clamps for adjustable heights.
- **Base** - Recycled rubber base - 4" high x 6" wide x 9.6" base length.
- **Channel** - 14 ga. galvanized combination channel fitting. (1 5/8" x 1 5/8" strut welded to galvanized steel plate)

Maximum Load 350 lbs.

Note: Consult roofing manufacturer or engineer for roof loading and compatibility.



Model No.	Height	Width	Base Length	Weight (lbs.)
CC10-18	18" (457mm)	6" (152mm)	9.6" (244mm)	9.25 lbs.



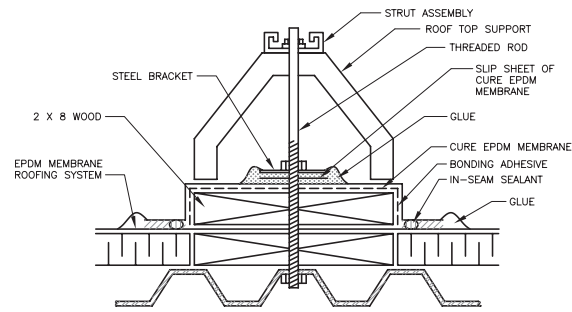
www.mifab.com



CZ-Seismic Series



- Designed for support of gas and refrigeration piping, cable tray, electrical conduit, multiple lines, HVAC equipment.
- This is a penetrating support fastened to the structure support under the membrane.
- This product does not have seismic approval by O.S.H.A. or U.L.
- Installation on any roofing materials or other flat surfaces.
- This product is approved by Carlisle SynTec Inc.
- Base with 14 ga. Galvanized Channel (13/16" high).
- **Dimensions**
4 7/8" High x 6" Wide x 9.6" to 48" Length (base length).
- **Maximum Load**
750 lbs./ft.
- **Note:** Consult roofing manufacturer or engineer for roof loading and compatibility.



Model No.	Height	Width	Base Length	Weight
CZ10	4 7/8" (122mm)	6" (152mm)	9.6" (244mm)	5.90 lbs.
CZ20	4 7/8" (122mm)	6" (152mm)	22" (558.8mm)	11.83 lbs.
CZ30	4 7/8" (122mm)	6" (152mm)	28.8" (731mm)	16.91 lbs.
CZ40	4 7/8" (122mm)	6" (152mm)	38.5" (978mm)	22.32 lbs.
CZ48	4 7/8" (122mm)	6" (152mm)	48" (1219mm)	26.78 lbs.

The recycled tire composition of C-Port is economical, environmentally safe and will not deteriorate in time.

C-Port can be used on any roof membrane; shingles, modified, metal, single-ply or built-up, with no additional padding required.

Adaptable to any Roof Pitch.



Environmentally Friendly
made of 100% recycled tires



www.
mifab.com



Typical Roof Loads for Pipe Supports

PIPE SIZE	# OF PIPES	CONTENTS OF PIPE	SPACING OF PIPES		
			6 feet	8 feet	10 feet
4 inch pipe	1	Gas (lbs) (psi)	111 0.24	132 0.29	156 0.34
		Water (lbs) (psi)	144 0.32	176 0.39	206 0.45
	2	Gas (lbs) (psi)	180 0.40	222 0.49	270 0.59
		Water (lbs) (psi)	264 0.58	310 0.68	237 0.52
	3	Gas (lbs) (psi)	249 0.55	312 0.69	384 0.85
		Water (lbs) (psi)	348 0.77	444 0.98	534 1.18
6 inch pipe	1	Gas (lbs) (psi)	156 0.34	196 0.43	236 0.52
		Water (lbs) (psi)	236 0.52	296 0.65	356 0.78
	2	Gas (lbs) (psi)	270 0.59	350 0.77	430 0.95
		Water (lbs) (psi)	430 0.95	550 1.21	670 1.48
	3	Gas (lbs) (psi)	384 0.85	504 1.11	624 1.37
		Water (lbs) (psi)	624 1.37	804 1.77	984 2.17
8 inch pipe	1	Gas (lbs) (psi)	228 0.50	288 0.63	348 0.77
		Water (lbs) (psi)	358 0.79	458 1.01	558 1.23
	2	Gas (lbs) (psi)	414 0.91	534 1.18	654 1.44
		Water (lbs) (psi)	674 1.48	874 1.93	1074 2.37
10 inch pipe	1	Gas (lbs) (psi)	302 0.67	382 0.84	472 1.04
		Water (lbs) (psi)	512 1.13	662 1.46	812 1.79
	2	Gas (lbs) (psi)	562 1.24	722 1.59	902 1.99
		Water (lbs) (psi)	982 2.16	1,282 2.82	1,582 3.48
12 inch pipe	1	Gas (lbs) (psi)	362 0.80	462 1.02	562 1.24
		Water (lbs) (psi)	652 1.44	852 1.88	1,052 2.32



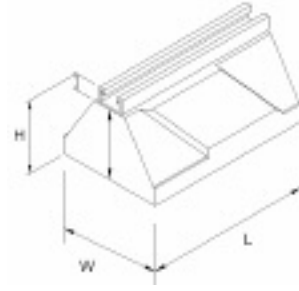
www.mifab.com



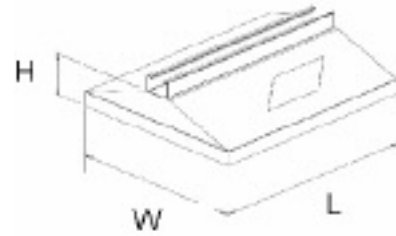


C-Port Loading Chart (lbs/inch²)

C-Series 6" wide base w/ 1 5/8" x 1 5/8" strut					
Base	C10	C20	C30	C40	C48
Total lbs./Base at 1 lb/in ²	30 lbs.	66 lbs.	87 lbs.	115 lbs.	144 lbs.



CW-Series 12" wide (base) x (length) w/ 1 5/8" x 1 5/8" strut				
"L" (inches)	12"	24"	36"	48"
Total lbs./Base at 1 lb/in ²	144 lbs.	288 lbs.	432 lbs.	576 lbs.



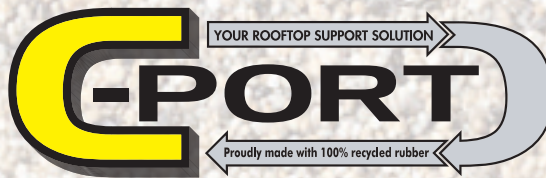
Steel Pipe Weight

Pipe Diameter (inches)	Gas Filled		Water Filled	
	Schedule 40	Schedule 80	Schedule 40	Schedule 80
	Weight lbs/Ft	Weight lbs/Ft	Weight lbs/Ft	Weight lbs/Ft
1	1.68	2.17	2.06	2.48
1 1/4	2.27	3	2.92	3.56
1 1/2	2.72	3.63	3.6	4.4
2	3.65	5.02	5.1	6.3
2 1/2	5.79	7.66	7.87	9.49
3	7.58	10.25	10.78	13.12
3 1/2	9.11	12.51	13.4	16.23
4	10.79	14.98	16.32	19.95
5	14.62	20.78	23.28	28.65
6	18.98	28.57	31.49	39.86
8	25.55	43.4	47.15	63.2
10	40.5	64.74	74.6	95.84
12	53.6	88.6	102.1	132.6
14	63.37	107	121.87	158.2
16	83	137	159.5	206.7
18	105	171	202.2	259.5
20	123	209	243.4	318.4
24	171	297	345.2	455.2

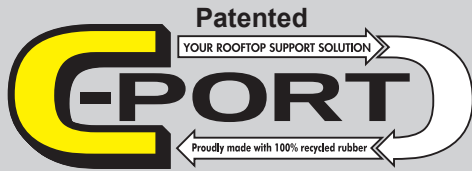


www.mifab.com





www.mifab.com



Air Conditioning Support

Contributes to LEED credit*

*In the Material and Resources Category



MADE FROM 100% RECYCLED TIRES

Extends Roof Life

Dampens Vibrations

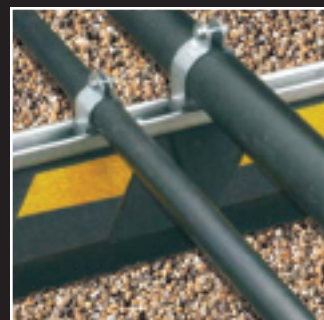
Curb Replacement



Cable Tray Support



Duct Support



Gas Pipe Support

The recycled tire composition of C-Port is economical, environmentally safe and will not deteriorate in time.

C-Port can be used on any roof membrane; shingles, modified, metal, single-ply or built-up, with no additional padding required.

Adaptable to any Roof Pitch.

YOUR ROOFTOP SUPPORT SOLUTION



Platform Support



Extended Height Pipe Support

C-Port... Innovative, economical support systems for gas and refrigeration pipes, electrical conduit, HVAC and platform systems.

MIFAB, Inc. 1321 West 119th Street, Chicago, Illinois, 60643-5019, USA
Tel: 1-800-465-2736 Fax: 773-341-3049

www.mifab.com