



CAD

CEILING OR WALL ACCESS DOOR

Internet address: www.mifab.com

Toll Free: 1-800-465-2736

Canada Toll Free: 1-800-387-3880



SERIES CAD

CEILING OR WALL ACCESS DOOR

DESCRIPTION

The MIFAB® CAD recessed access door is designed for use in acoustical, drywall, or tiled surfaces. The door panel is recessed 5/8" (15) to allow the insertion of various types of material. Only the thickness of the door and frame edges are exposed. It has a unique white finish.

SPECIFICATIONS

Material CAD Series is 14 gage satincoat steel door and 14 gage satincoat steel frame. The CAD-SS stainless steel Series is 16 gage #304 stainless steel door and frame.

Finish Satincoat steel doors have a primed white finish. Stainless steel doors have a #2-B finish.

Door Recessed 5/8" (15) door pan to accept tile, drywall or other finishing materials.

Frame Flush to surface.

Hinge Concealed pivot rod.

Latch Standard - Flush mounted, screwdriver operated cam. Optional - Allen key, cylinder key, or vandal resistant latch. All of MIFAB's cylinder key locks are keyed alike.

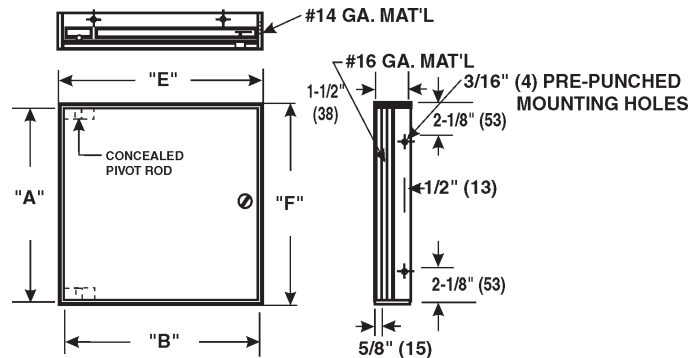
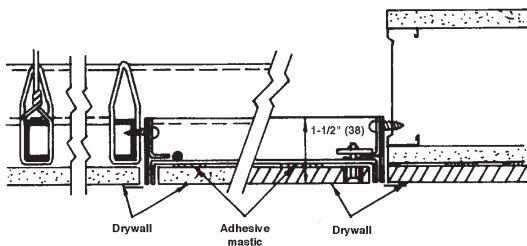
Packaging One door per carton.

STANDARD SIZES (special sizes available upon request)

DOOR SIZE		WALL OPENING		SHIPPING WEIGHT		LATCHES
Inches	mm	Inches	mm	lbs.	kg.	
"B" x "A"	"B" x "A"	Inches	mm	lbs.	kg.	
8 x 8	203 x 203	8 3/8 x 8 3/8	213 x 213	4.5	2.1	1
12 x 12	305 x 305	12 3/8 x 12 3/8	314 x 314	7.0	3.1	1
12 x 24	305 x 610	12 3/8 x 24 3/8	314 x 619	12.0	5.4	1
16 x 16	406 x 406	16 3/8 x 16 3/8	416 x 416	10.5	4.7	1
18 x 18	457 x 457	18 3/8 x 18 3/8	467 x 467	12.0	5.4	3
24 x 24	610 x 610	24 3/8 x 24 3/8	619 x 619	18.5	8.4	3
24 x 36	610 x 914	24 3/8 x 36 3/8	619 x 924	22.0	10.0	4

A-B Recess - Door Size - Minus 3/16" (4)

E-F Overall Dimensions - Door Size - Plus 3/8" (9)



OPTIONAL VARIATIONS:

- Allen key lock
- Cylinder key lock

suffix -A
suffix -C

- Stainless steel
- Vandal resistant

suffix -SS
suffix -VP

(Dimension) Denotes Millimetres

NOTE: The hinge is always furnished on the "A" or height (longer) dimension, unless otherwise specified.