



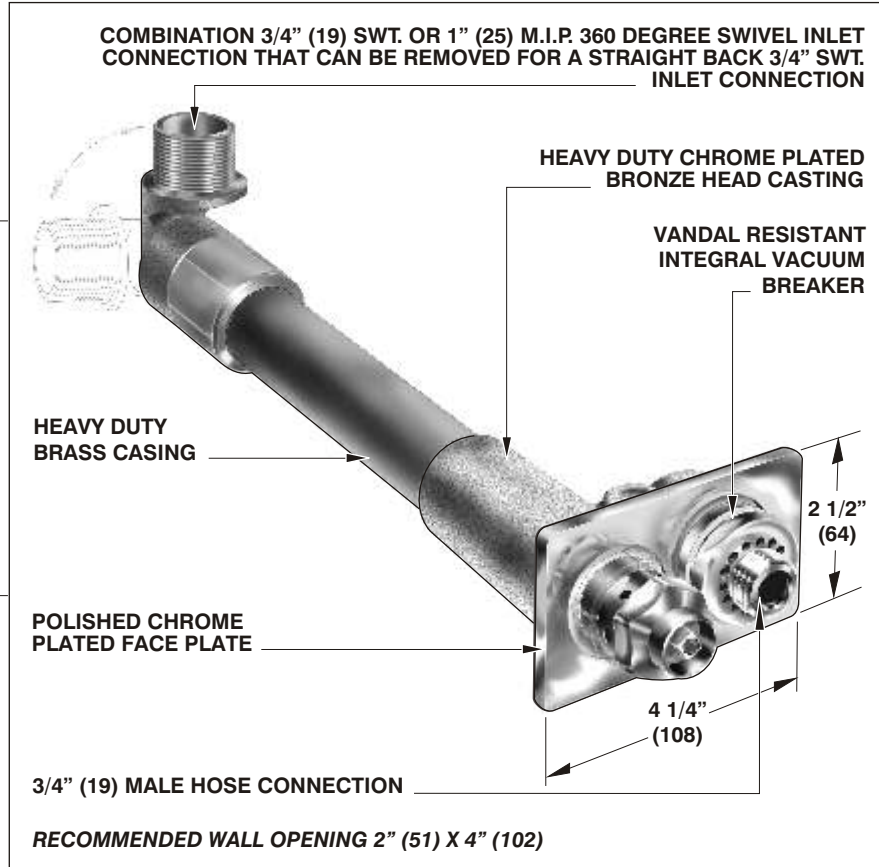
HY-1000

NON-FREEZE WALL HYDRANT

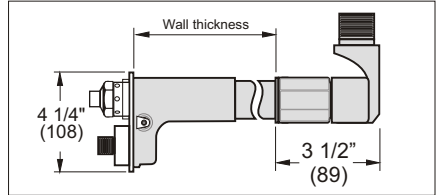
Specification: MIFAB® Series HY-1000 _____ (specify length) A.S.S.E. 1019-B certified exposed type, self draining, non freeze wall hydrant with A.S.S.E. 1011 approved anti-siphon and vandal resistant integral vacuum breaker with 3/4" (19) male hose connection. Hydrant assembly complete with neoprene plunger to control both the flow and drain functions, hardened bronze operating stem, drain port under the hexagon nut, heavy duty brass casing, 360 degree swivel inlet connection, heavy duty chrome plated bronze head casting and polished chrome plated face plate. Operating key to be furnished with each hydrant.

Applications: Designed to blend in with commercial applications such as office buildings, apartment complexes, malls and shopping centers, schools, churches and industrial buildings.

Plumbing and Drainage
Mechanical Section



Overhead view



MIFAB® HY-1000 Series Features

- **SWIVEL CONNECTION** - 360 degree combination 3/4" SWT. and 1" M.I.P. Inlet connection. Swivel connection can be removed for 3/4" SWT. straight back inlet connection
- **VACUUM BREAKER** - unique self draining vandal resistant integral vacuum breaker protects from anti-siphon conditions.
- **FACE PLATE** - polished chrome plated.
- **CASING** - heavy duty brass casing.
- **APPROVALS** - HY-1000 Series wall hydrant is tested and certified by the A.S.S.E. Standard 1019-B and listed by I.A.P.M.O. The anti-siphon vacuum breaker is tested and certified to the A.S.S.E. Standard 1011 and listed by I.A.P.M.O.



(Dimension) Denotes Millimetres

| MODEL NO. | WALL THICKNESS | | OVERALL LENGTH | | APPROXIMATE WEIGHT | | SWIVEL INLET CONNECTION |
|-----------|----------------|-----|----------------|-----|--------------------|------|------------------------------------|
| | IN | MM | IN | MM | Lbs. | Kg. | IN |
| HY-1004 | 4 | 102 | 8 | 203 | 3.5 | 1.59 | 3/4" SWT., 1" Male IPS combination |
| HY-1006 | 6 | 152 | 10 | 254 | 4.0 | 1.82 | 3/4" SWT., 1" Male IPS combination |
| HY-1008 | 8 | 203 | 12 | 306 | 4.5 | 2.05 | 3/4" SWT., 1" Male IPS combination |
| HY-1010 | 10 | 254 | 14 | 357 | 5.0 | 2.27 | 3/4" SWT., 1" Male IPS combination |
| HY-1012 | 12 | 305 | 16 | 406 | 5.5 | 2.50 | 3/4" SWT., 1" Male IPS combination |
| HY-1014 | 14 | 356 | 18 | 457 | 6.0 | 2.73 | 3/4" SWT., 1" Male IPS combination |
| HY-1016 | 16 | 406 | 20 | 508 | 6.5 | 2.95 | 3/4" SWT., 1" Male IPS combination |
| HY-1018 | 18 | 457 | 22 | 559 | 7.0 | 3.18 | 3/4" SWT., 1" Male IPS combination |
| HY-1020 | 20 | 508 | 24 | 610 | 7.5 | 3.41 | 3/4" SWT., 1" Male IPS combination |
| HY-1024 | 24 | 610 | 28 | 711 | 8.5 | 3.86 | 3/4" SWT., 1" Male IPS combination |

OPTIONAL VARIATIONS:

1" (25) Hose connection

SUFFIX

-0

A.S.S.E. 1052 double check vacuum breaker

SUFFIX

-52

Wall clamp

SUFFIX

-WC

Job Name: _____ Page No: _____
 Section No: _____ Contractor: _____
 Schedule No: _____ Purchase Order No: _____

MIFAB reserves the right to make changes in material and design without formal notice and obligation.

USA: 1-800-465-2736 www.mifab.com CAN: 1-800-387-3880