



MDW

DRYWALL BEAD ACCESS DOOR

Internet address: www.mifab.com

Toll Free: 1-800-465-2736

Canada Toll Free: 1-800-387-3880



SERIES MDW

DRYWALL BEAD ACCESS DOOR

DESCRIPTION

The MIFAB® MDW access door is designed for installation after the drywall has been applied and when a concealed outer flange is required. The outer frame has a galvanized drywall taping bead. Drywall cement can be applied over the beading at the same time as the wallboard joints and corners. Only the door is visible. It has a unique white finish.

SPECIFICATIONS

Material MDW Series is 14 gage satincoat steel door and 14 gage satincoat steel frame. The MDW-SS stainless steel Series is 16 gage #304 stainless steel door and frame.

Finish Satincoat steel doors have a primed white finish. Stainless steel doors have a #4 brush satin finish.

Door Flush to frame. Turned back around edges for extra rigidity.

Frame Drywall corner bead on all sides.

Hinge Concealed pivot pins.

Latch Standard - Flush mounted, screwdriver operated cam. Optional - Allen key, cylinder key, or vandal resistant latch. All of MIFAB's cylinder key locks are keyed alike.

Packaging One door per carton.

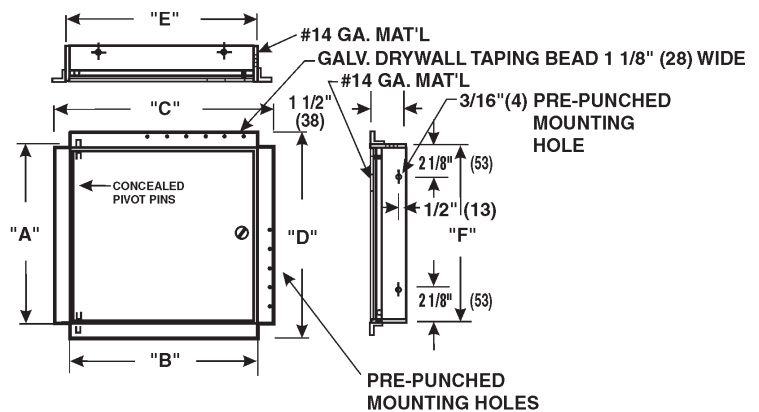
STANDARD SIZES (special sizes available upon request)

DOOR SIZE		WALL OPENING		SHIPPING WEIGHT		LATCHES
Inches	mm	Inches	mm	lbs.	kg.	
"B" x "A"	"B" x "A"	Inches	mm	lbs.	kg.	
8 x 8	203 x 203	8 1/2 x 8 1/2	216 x 216	3.5	1.6	1
10 x 10	254 x 254	10 1/2 x 10 1/2	266 x 266	4.5	2.0	1
12 x 12	305 x 305	12 1/2 x 12 1/2	317 x 317	6.0	2.7	1
14 x 14	356 x 356	14 1/2 x 14 1/2	368 x 368	7.0	3.1	1
16 x 16	406 x 406	16 1/2 x 16 1/2	419 x 419	8.0	3.6	1
18 x 18	457 x 457	18 1/2 x 18 1/2	470 x 470	12.0	5.4	1
22 x 22	559 x 559	22 1/2 x 22 1/2	571 x 571	14.0	6.3	1
24 x 24	610 x 610	24 1/2 x 24 1/2	622 x 622	17.5	7.9	1

A-B Door Size

C-D Overall Dimensions - Door Size - Plus 2 1/4" (57)

E-F Wall Opening - Door Size - Plus 1/2" (12)



OPTIONAL VARIATIONS:

- Allen key lock
- Cylinder key lock

suffix -A
suffix -C

- Stainless steel
- Vandal resistant

suffix -SS
suffix -VP

(Dimension) Denotes Millimetres

NOTE: The hinge is always furnished on the "A" or height (longer) dimension, unless otherwise specified.