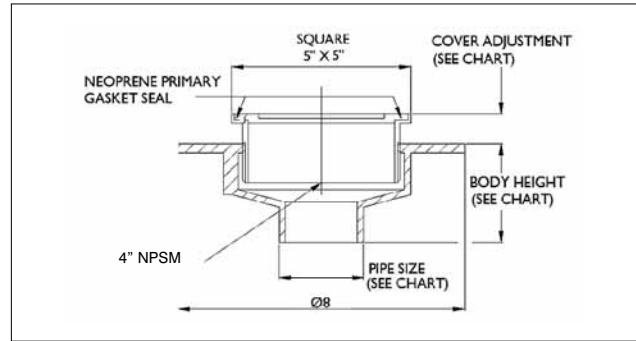
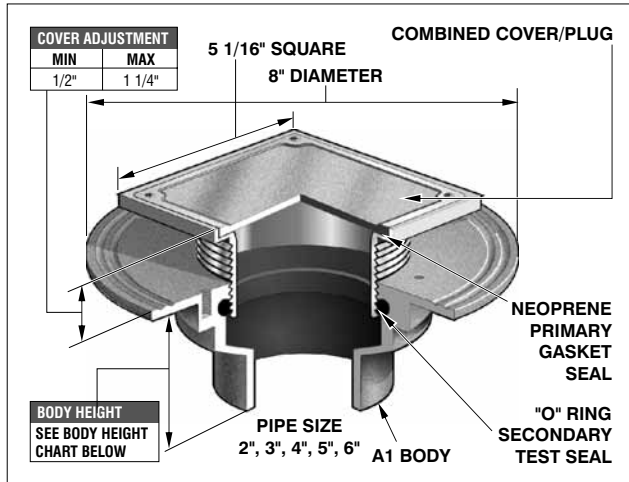


C1100-TS SERIES FLOOR CLEANOUT WITH SQUARE TOP AND TILE RECESS C1100-TS SERIES



| ANSI/ASME RATING | |
|------------------|---------------|
| COVER | LOAD RATING |
| 5" DIA. NB | 2000-4999 lbs |
| 5" DIA. SS | 5000-7499 lbs |

| PARTS | A1 BODY | TS-1 or -3 |
|-------|---------|------------|
| | | |

C1100 SERIES MEETS ANSI CLEANOUT STANDARD A112.36.2M-1991

| C1100-TS FLOOR CLEANOUT W/SQUARE TOP & TILE RECESS | | | | |
|--|---------|------------|-------------|--|
| MODEL NUMBER | WT. Lbs | COVER SIZE | OUTLET SIZE | LACQUERED CAST IRON BODY WITH NB (-1) OR SS (-3) |
| C1102-TS | 6.50 | 5" x 5" | 2" | \$323.00 |
| C1103-TS | 6.00 | 5" x 5" | 3" | \$340.00 |
| C1104-TS | 6.50 | 5" x 5" | 4" | \$456.00 |
| C1105,6-TS | 8.00 | 5" x 5" | 5", 6" | \$741.00 |

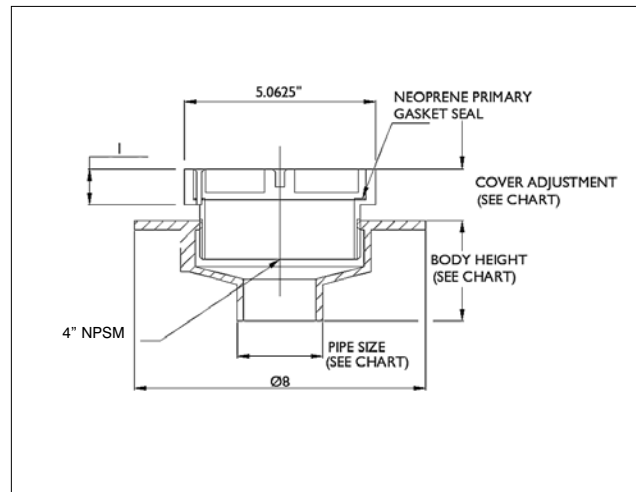
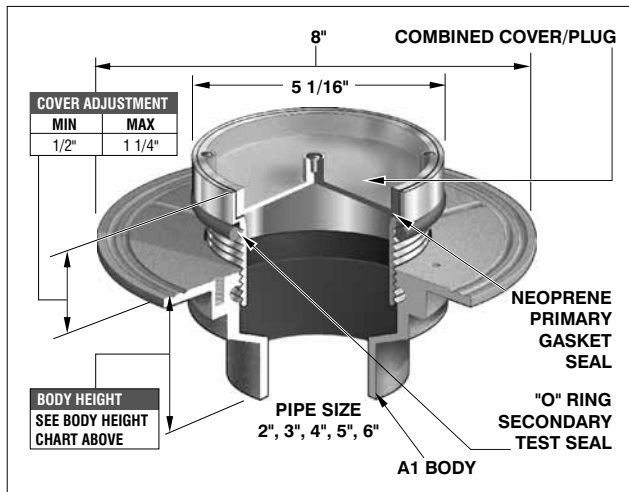
| A1 BODY HEIGHT | | | | | | |
|----------------|-------------------|-------------|--------------|------------------|-----------|-----------|
| PIPE SIZE | NO HUB (STANDARD) | PUSH ON (P) | THREADED (T) | INSIDE CAULK (X) | PVC (-30) | ABS (-31) |
| 2" | 3" | 3 3/8" | 2 1/4" | 3 3/4" | 2 15/16" | |
| 3" | 3" | 3 3/8" | 2 5/8" | 3 3/4" | 3" | |
| 4" | 3" | 3 3/8" | 2 5/8" | 3 1/2" | 3" | |
| 5" | 3" | - | 2 5/8" | 6 7/8" | - | |
| 6" | 3 1/4" | 6 1/2" | - | - | - | |

C1100-TS AND C1100-UR SERIES OPTIONAL VARIATIONS:

| SUFFIX | DESCRIPTION | LIST PRICE | SUFFIX | DESCRIPTION | LIST PRICE |
|--------|---|------------|--------|--|------------|
| -6 | Security screws (TR25 Torx & pin) | \$ 36.00 | -34 | T-cone plug and gasket (2", 3", 4") (C1440 SERIES) | \$187.00 |
| -11 | Acid resistant epoxy coating (Min. order 25 pcs. Or P.O.A.) | \$ 185.00 | -C | Membrane clamp (A1-C1) | \$ 43.00 |
| -13 | All galvanized (Min. order 25 pcs. or P.O.A.) | \$ 113.00 | -NH | No hub outlet | Standard |
| -28 | Stainless steel body (Type 304, 2", 3", 4") | \$ P.O.A. | P | Push on outlet (2", 3", 4")* | No Add |
| -29 | Stainless steel body (Type 316, 2", 3", 4") | \$1112.00 | T | Threaded outlet (2", 3", 4") | \$ 40.00 |
| -30 | PVC socket connection body* (2", 3", 4") | No Add | X | Inside caulk outlet (2", 3", 4") | No Add |
| -31 | ABS socket connection body* (2", 3", 4") | No Add | -Z | Extended wide flange (13" Dia. x 1/8" thick) | P.O.A. |

Specify POG-6 for C.I. pipe and POG-6-PVC for 6" PVC pipe. 2", 3", 4" sizes use same gasket.

C1100-UR SERIES FLOOR CLEANOUT WITH ROUND TOP AND TERRAZZO RECESS C1100-UR SERIES



| C1100-UR FLOOR CLEANOUT WITH ROUND TOP AND TERRAZZO RECESS | | | | |
|--|---------|----------------|-------------|--|
| MODEL NUMBER | WT. Lbs | COVER DIAMETER | OUTLET SIZE | LACQUERED CAST IRON BODY WITH NB (-1) OR SS (-3) |
| C1102-UR | 7.00 | 5" round | 2" | \$504.00 |
| C1103-UR | 6.50 | 5" round | 3" | \$523.00 |
| C1104-UR | 7.00 | 5" round | 4" | \$637.00 |
| C1105,6-UR | 8.25 | 5" round | 5", 6" | \$924.00 |

| ANSI/ASME RATING | |
|------------------|---------------|
| COVER | LOAD RATING |
| 5" DIA. NB | 2000-4999 lbs |
| 5" DIA. SS | 5000-7499 lbs |

C1100 SERIES MEETS ANSI CLEANOUT STANDARD A112.36.2M-1991

| PARTS | |
|---------|------------|
| A1 BODY | UR-1 or -3 |
| | |

Design and dimensions are subject to modification. Prices do not include applicable taxes. Visit www.mifab.com for the most recent product information.

MIFAB, Inc., 1321 West 119th Street, Chicago, Illinois 60643-5109, USA

Toll Free 1-800-465-2736, Fax 773-341-3049

All sales subject to MIFAB's Terms and Warranties. Please refer to inside front cover.