



Basic Hoists

A Capital Safety Company



W W W . U C I S A F E T Y S Y S T E M S . C O M

Common Features & Specifications

Basic Hoist

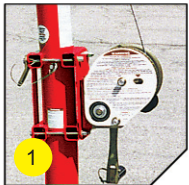
The **UCL Basic Hoist** is the most efficient and economical confined space entry/retrieval alternative to a tripod. This lightweight aluminum structure assembles and adjusts without tools*. A Standard tie-off point provides a convenient 5000 lb anchor point for fall-arrest devices where required. All hardware is zinc plated for corrosion resistance. **First-time setup requires some tools and assembly.*

The **UCL Model 15567 Basic Hoist Package** features the UCL Basic Winch with 50' of galvanized cable. It weighs only **73 lbs (33kg)**.

Price:	Part #	Description
<input type="text"/>	15567	Basic Hoist with 50' Galvanized Cable package. Includes winch, mast assembly & dust cover.

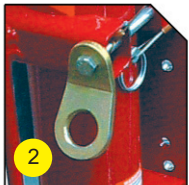


Standard Features Include:



Durable Basic Winch* Features:

- Ratchet braking mechanism with dual pawl design and load limiter clutch for added safety (1).
- Constantly engaged friction brake holds load securely at any position, min. 10 lbs of line load required.
- Heavy duty handle assembly resists handling damage.
- Cable retaining spring assembly prevents cable damage & assists even winding.



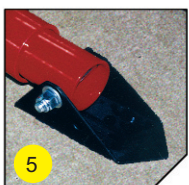
Basic Davit Arm Features:

- Convenient 5000 lb. anchor point for fall protection devices when required (2).
- Overload detection ensures added safety by visually identifying a fall or misuse (3).
- Nylon dust jacket (4) protects your investment.



Three-Armed Base Features:

- Lightweight base, provides ease of storage and transportation.
- Non-slip rubber foot pads conform to working surface (5).
- Single adjustment screw for mast offset and leveling base (6, above).

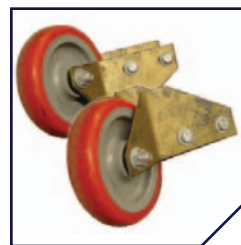


**Note: Basic series winches must be returned to the manufacturer or its authorized representative for inspection and re-certification annually.*



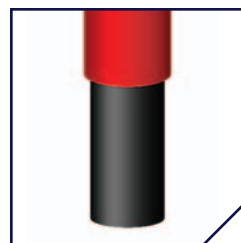
No matter what accessories, the **Basic Hoist** separates for easy carrying. These lightweight units weigh only 73 lbs (33 kg) with the winch attached.

Accessory Packages & Carrying Bags



Transportation Wheel Kit: Substitute durable 6" urethane wheel accessories for standard foot pads. Transport the unit easily from entry to entry.

Price:	Part #
<input type="text"/>	15592



UCL Sleeve Adapter: The UCL Sleeve Adapter is made to adapt basic series mast for floor or wall mount applications.

Price:	Part #
<input type="text"/>	15900

Please see the UCL Hoists, Davits, Bases & Accessories brochure (Pt#: 19400) for more information about available sleeves.

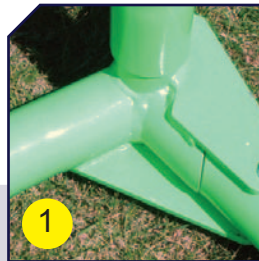
Advanced Basic Hoist

The **UCL Advanced Basic Hoist** has all the features and benefits of the standard red Basic Hoist system. In addition, the high-visibility fluorescent green Advanced Basic Hoist features a collapsible base to reduce storage and transport space (*see the diagrams on the back*). The system uses the UCL Basic Winch or other manufacturer's winches/SRL's.



	Price:	Part #	Description
1	<input type="text"/>	17069	Fluorescent Green Basic Hoist Package c/w Folding Basic Base and Basic Davit Arm with overload detection and winch bracket, no winch
2	<input type="text"/>	10222	UCL Quick Mount Bracket with Flat Back
3	<input type="text"/>	18666	Basic Series Zinc-Plated Winch w/ Quick Plate Adapter and 50' of 3/16" (5mm) Dia. Galvanized Steel Cable
	or		
	<input type="text"/>	18667	Basic Series Zinc-Plated Winch w/ Quick Plate Adapter and 50' of 3/16" (5mm) Dia. Stainless Steel Cable
	or		
	<input type="text"/>	18668	Basic Series Zinc-Plated Winch w/ Quick Plate Adapter and 50' of 3/16" (5mm) Dia. Technora Cord

Please see the UCL Winches & Brackets brochure (Pt#: 19398) for more information about winches, brackets & cable.



Simple 3-Step Set-up

Three-legged base self-locates into expanded position.

Extend davit arm to required height.

Control davit arm offset by adjusting the single base screw.



Carrying Bags: Protect & transport your Advanced Basic Hoist unit with these rugged carrying bags.

Price:	Part #	Description
<input type="text"/>	17907	Carrying Bag for Advanced Basic Hoist System
<input type="text"/>	17411	Padded Carrying Bag for Basic Winch c/w carrying handles (not shown)

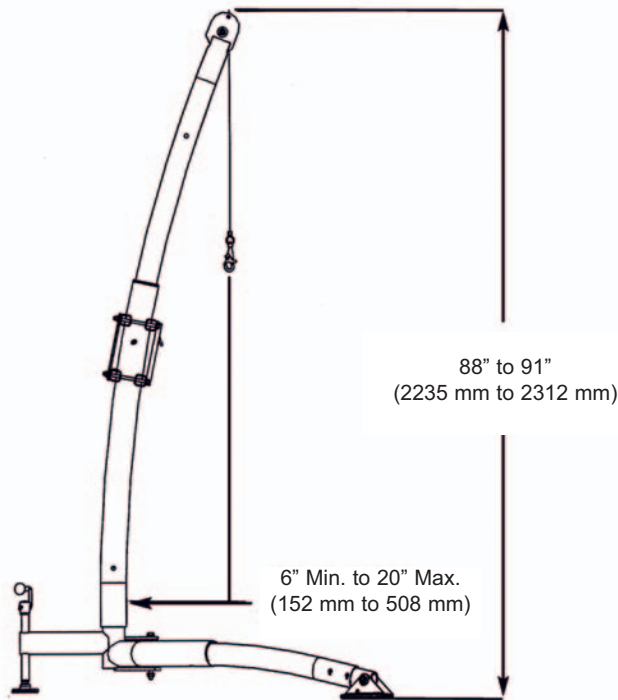


(Not available for the Basic Hoist (pt#: 15567), which comes with its own dust cover.)

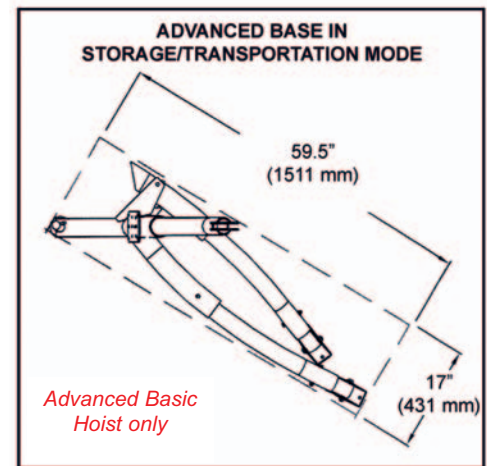
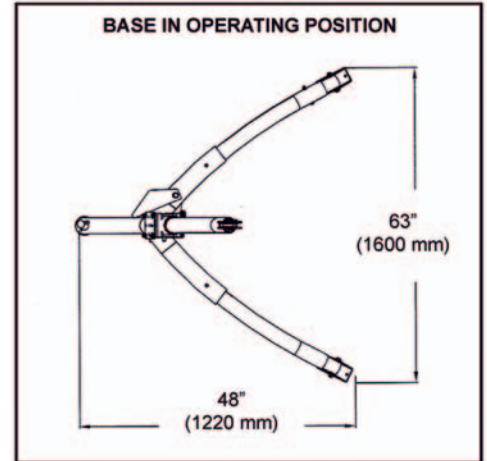


The Advanced Basic Hoist separates for ease of transportation. The base folds up into itself. Plus, the unit is lightweight, weighing 58 lbs (26 kg), not including winch or SRL.

Specifications



Basic Hoist & Advanced Basic Hoist



*UCL reserves the right to supply current versions of our product due to our ongoing product development process.

You are reading the brochure highlighted below:

Look for these additional UCL Accessory brochures marked * to accompany this catalogue:

- * Hoists, Davits, Bases & Accessories - #9700101
- * Vehicle Hitch Mount Sleeve - #9700102
- Counterweight Systems - #9700103
- * Winches & Brackets - #9700104
- Tripods & Accessories - #9700105
- Pole Hoist - #9700106
- Side Entry/Tank Pod Systems - #9700107
- Portable Fall Arrest Systems - #9700108
- Engineered Systems - #9700109
- Portable Tanker Access Ladder Sys. - #9700110
- Basic Hoists - #9700111**
- Fold Up Hoist - #9700112
- Glide 360 Rail System - #9700113
- UCL Product Summary - #9700114

General Specifications:

Personnel Rated Capacity:
310 lbs (140 kg) working load @ minimum
10:1 safety factor.

Material Rated Capacity:
620 lbs (281.5 kg) minimum 5:1 safety factor.

Maximum Allowed Arresting Force (M.A.F) rating for retractable devices or shock absorbers: 1800 lbs (8kN)

Proof Load
- Winch cable: 3600 lbs (14.4 kN)
- Anchor Point: 5000 lbs (22kN)

Weight: 58 lbs (26.3 kg) Hoist Only

Mast Offset: 6" - 20" (152 mm - 508 mm)

Materials & Construction:

General Construction:
Formed & Welded Aluminum / Steel
Weld Certification: CWB-47.1, CWB-47.2
Material: 6061-T6 Aluminum
Hardware: Min. Gr.5 Steel, zinc-plated
Plating Specifications: Type II, III, SC2
Finish: Powder Coat

Mounting Requirements:

The Basic Series Hoist **MUST BE** setup on a surface or structure capable of supporting a minimum vertical load of 5000 lbs (2272kg) as distributed by the structure.

Distributed by:



USA: 1-800-328-6146
Canada: 1-800-387-7484
Asia: +852 2992 0381
Northern Europe: +44 (0) 1928 57 1324
Europe, Middle East, Africa:
+33 (0) 497 10 00 10
Australia, New Zealand: 1800 245 002
Or visit www.capitalsafety.com



Manufactured by:
Unique Concepts Ltd.

Unit 1 - 1500 King Edward Street
Winnipeg, Manitoba, Canada
R3H 0R5
Phone: 204-694-7432
Toll Free: 1-800-455-9673
Fax: 204-694-7612
E-mail: qcm1@mts.net
Or visit www.uclsafetysystems.com