

VIDEO FURNITURE INTERNATIONAL

Furniture Designs That Communicate.

PM-XFL-D, Plasma/LCD Stand



Model **PM-XFL-D** For Most 32-50" TV's Plasma/LCD floor Stand

The PM-XFL-D mount for large dual monitors is a self supporting, wheeled stand with adjustable 6 position shelf for DVD players, cable or satellite receiver, videoconference codecs or audio amplifier. This mount accommodates most 32" to 50" monitors.

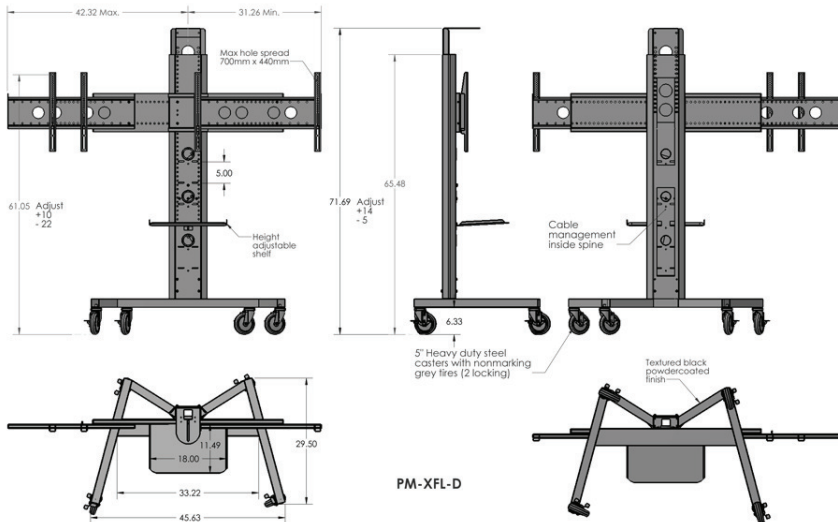
Width- 63" or TV width if greater.
Depth- 29 1/2"
Height- 65 1/2" adjustable at setup

Standard Features Include:

- Sturdy 11 Ga steel construction
- Heavy duty tubular steel base
- Accommodates most 32" - 50" + flat panel TV's
- Height of display adjustable during setup.
- Interior hidden wiring channel
- Heavy duty fastening hardware included
- 1 shelf 18" w x 11.5" d
- Adjustable Camera mount.
- Steel 5" Casters w non-marking tire ,2 locking
- Black powder coat finish

Options

- **SH-PM** Additional Shelves (up to 6 total)
- **BKT-KIT** Bracket for rear TV
- **LB3** Lockbox for Codecs/Electronics
- **PM-CMP** Top mounted codec plate
- **PM-HDCB** HD codec mount
- **PM-CAM** For mounting Camera below TV
- **PM -HD-EXP** Lifesize Express bracket
- **PM-PB** Mounted six outlet power bar with 10 ft cord
- **LCD1222** Monitor/touchscreen controller bracket
- **FEET** Adjustable height feet for Non-mobile installs



Specifications:

BLACK

Product	WIDTH	DEPTH	HEIGHT
PM-XFL-D	63"+	29 1/2"	65 1/2" +

VFI can build or modify stock configurations to suit customer specifications. Please contact us to discuss how this service can help meet your needs. Some quantity restrictions may apply.

* Specification subject to change without notice.

* Computers, cameras, monitors, etc. are shown to illustrate product usage and are not included unless otherwise noted.

190 Don Hillock Drive . Aurora . Ontario . L4G 0G9

Tel: (905) 751-1459 Toll Free: (877) 834-3876 Fax: (905) 751-1488

sales@video-furn.com

www.video-furn.com