
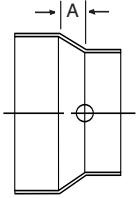


Wrot & Cast Drainage Fittings Couplings, Bushings & Adapters


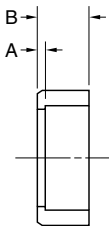
WROT 301-R	DWV-Coupling With Stop Copper to Copper	CAST 5801-R
----------------------	---	-----------------------

C x C

Nominal Size In Inches	Part Number	Box Quantity	Master Pack	Approx. Net Wt.	Dim. A
1 1/2 x 1 1/4	46234	25	250	0.107	1/4
2 x 1 1/2	46238	10	100	0.174	3/8
2 x 1 1/4	46240	10	100	0.181	5/8
3 x 2	46244	5	50	0.373	3/4
3 x 1 1/2	46246	5	50	0.430	7/8
3 x 1 1/4	46248	5	50	0.416	1 1/4
4 x 3	46252	5	40	0.606	3/4
**4 x 2	47818	-	25	1.257	-


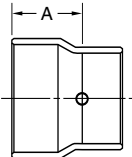
WROT 301-2-F	DWV-Flush Bushing Fitting to Copper	CAST
------------------------	---	------

FTG. x C

Nominal Size In Inches	Part Number	Box Quantity	Master Pack	Approx. Net Wt.	Dim. A	Dim. B
1 1/2 x 1 1/4	46180	25	250	0.122	1/8	5/8
2 x 1 1/2	46182	10	100	0.336	1/8	11/16


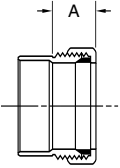
WROT 301-2	DWV-Extended Bushing Fitting to Copper	CAST 5801-2
----------------------	--	-----------------------

FTG. x C

Nominal Size In Inches	Part Number	Box Quantity	Master Pack	Approx. Net Wt.	Dim. A
1 1/2 x 1 1/4	46160	25	250	0.109	7/8
2 x 1 1/2	46162	10	100	0.175	1 3/32
2 x 1 1/4	46164	10	100	0.176	1 3/16
3 x 2	46166	5	50	0.366	1 7/16
3 x 1 1/2	46168	5	50	0.390	1 21/32
3 x 1 1/4	46170	5	50	0.410	2
**4 x 3	47616	-	25	1.060	-
**4 x 2	47618	-	40	1.260	-


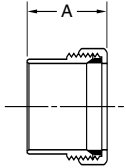
WROT 301-7	DWV-Trap Adapter CxSJ Copper to Slip Joint	CAST 5801-7
----------------------	--	-----------------------

C x SJ

Nominal Size In Inches	Part Number	Box Quantity	Master Pack	Approx. Net Wt.	Dim. A
1 1/4 x 1 1/4 OD	46110	25	250	0.206	21/32
** 1 1/2 x 1 1/2 OD	47368	10	100	0.230	-
1 1/2 x 1 1/4 OD	46114	10	100	0.270	7/8

WROT 301-2-7	DWV-Fitting Trap Adapter Fitting to Slip Joint	CAST
------------------------	--	------

FTG. x SJ

Nominal Size In Inches	Part Number	Box Quantity	Master Pack	Approx. Net Wt.	Dim. A
1 1/2 x 1 1/2 OD	46122	10	100	0.258	1 7/16
1 1/2 x 1 1/4 OD	46124	10	100	0.230	1 7/16