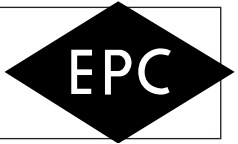





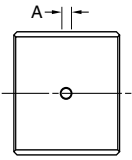
Wrot & Cast Pressure Fittings Flanges & Y's


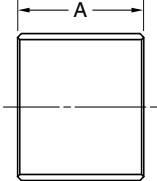


WROT	150 lb. Companion Flange with A.S.M.E. Drilling <small>Copper</small>	CAST							
		4771							
(Bolts not included)									
									
Nominal Size In Inches	Part Number	Flange Thickness	Flange O.D.	Bolt Circle DIA.	Hole DIA.	Bolt DIA.	Bolt Holes	Master Pack	Approx Net Wt.
**1	35794	3/8	4 1/4	3 1/8	5/8	1/2	4	12	1.410
**1 1/4	35799	13/32	4 5/8	3 1/2	5/8	1/2	4	40	1.860
**1 1/2	35806	7/16	5	3 7/8	5/8	1/2	4	20	2.430
**2	35810	1/2	6	4 3/4	3/4	5/8	4	15	3.670
**2 1/2	35816	9/16	7	5 1/2	3/4	5/8	4	5	5.490
**3	35822	5/8	7 1/2	6	3/4	5/8	4	6	7.440
**4	35834	11/16	9	7 1/2	3/4	5/8	8	3	10.350
**5	35837	3/4	10	8 1/2	7/8	3/4	8	2	15.690
**6	35840	13/16	11	9 1/2	7/8	3/4	8	2	19.330
**8	35844	15/16	13 1/2	11 3/4	7/8	3/4	8	1	42.130

WROT	45° Y <small>Copper to Copper to Copper</small>	CAST			
		4749			
					
C x C x C					
Nominal Size In Inches	Part Number	Box Quantity	Master Pack	Approx. Net Wt.	
**1/2	38063	25	200	0.150	
**3/4	38064	20	120	0.340	
**1	38066	10	60	0.550	
**1 1/4	38069	5	50	0.810	
**1 1/2	38072	5	50	1.140	
**2	38075	-	25	2.170	

Wrot & Cast Drainage Fittings Couplings

WROT	301 DWV-Coupling <small>With Stop Copper to Copper</small>	CAST				
						
						
C x C W/Stop						
Nominal Size In Inches	Part Number	Box Quantity	Master Pack	Approx. Net Wt.	Dim. A	
1 1/4	46230	25	250	0.061	3/32	
1 1/2	46232	25	250	0.089	3/32	
2	46236	10	100	0.123	3/32	
3	46242	5	50	0.224	3/32	
*4	46250	2	20	0.497	1/8	

WROT	301-NS DWV-Coupling <small>Without Stop Copper to Copper</small>	CAST				
						
						
C x C Without Stop						
Nominal Size In Inches	Part Number	Box Quantity	Master Pack	Approx. Net Wt.	Dim. A	
1 1/4	46270	25	250	0.062	1 3/32	
1 1/2	46272	25	250	0.081	1 1/8	
2	46274	10	100	0.115	1 11/32	
3	46276	5	50	0.229	1 19/32	
*4	46278	2	20	0.485	2 1/8	

** Cast Bronze Only

*Factory Option—consult factory for price and delivery information.