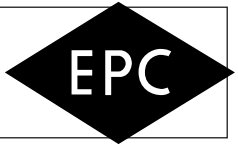
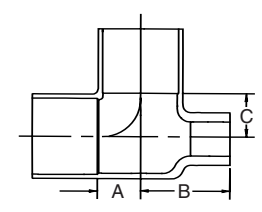


Wrot & Cast Pressure Fittings Tees & Plugs



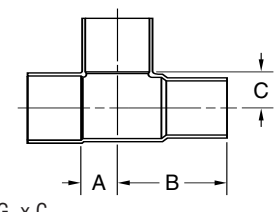
WROT 111		Tee-cont. Copper to Copper to Copper			CAST 4711		
Nominal Size In Inches	Part Number	Box Quantity	Master Pack	Approx. Net Wt.	Dim. A	Dim. B	Dim. C
* 5 x 5 x 1 1/2	33412	1	6	4.479	27/32	27/32	2 7/8
* 5 x 5 x 1 1/4	33414	1	6	4.276	3/4	3/4	2 7/8
* 5 x 5 x 1	33416	1	6	4.050	21/32	21/32	2 7/8
* 5 x 5 x 3/4	33418	1	6	3.841	5/8	5/8	2 7/8
* 5 x 4 x 5	33398	1	1	10.087	2 37/64	4 1/8	29/32
* 5 x 4 x 4	33399	1	1	8.101	2 1/8	3 29/64	2 15/16
* 6 x 6 x 5	33424	1	1	11.580	2 45/64	2 45/64	3 7/16
* 6 x 6 x 4	33426	1	1	10.132	2 13/64	2 13/64	3 7/16
* 6 x 6 x 3	33428	1	1	8.093	1 11/16	1 11/16	3 7/16
* 6 x 6 x 2 1/2	33430	1	1	7.663	1 7/16	1 7/16	3 7/16
* 6 x 6 x 2	33432	1	1	7.132	1 17/32	1 17/32	3 7/16
* 6 x 6 x 1 1/2	33434	1	6	6.716	15/16	15/16	3 7/16
* 6 x 6 x 1 1/4	33436	1	6	6.454	13/16	13/16	3 7/16
* 6 x 6 x 1	33438	1	6	6.168	11/16	11/16	3 7/16
* 6 x 6 x 3/4	33440	1	6	5.885	5/8	5/8	3 7/16
* 6 x 6 x 1/2	33441	1	6	5.668	11/32	11/32	3 11/32
* 6 x 4 x 6	33443	1	1	13.252	3 1/8	4 23/32	3 11/16
* 6 x 4 x 4	33446	1	1	10.103	2 13/64	4 3/16	3 7/16
* 8 x 8 x 6	33456	1	1	26.140	3 1/16	3 1/16	4 1/2
* 8 x 8 x 5	33458	1	1	23.380	2 9/16	2 9/16	4 1/2
* 8 x 8 x 4	33460	1	1	20.706	2 1/16	2 1/16	4 9/16
* 8 x 8 x 3	33462	1	1	18.308	1 1/2	1 1/2	4 1/2
* 8 x 8 x 2 1/2	33464	1	1	17.650	1 23/64	1 23/64	4 9/16
* 8 x 8 x 2	33466	1	1	17.199	1 1/16	1 1/16	4 1/2
* 8 x 6 x 6	33468	1	1	25.984	3 1/16	4 1/2	4 1/2

WROT		Baseboard Tee Copper to Female N.P.T. to Copper			CAST 4714-B		
Nominal Size In Inches	Part Number	Box Quantity	Master Pack	Approx. Net Wt.	Dim. A	Dim. B	Dim. C
** 1/2 x 1/8 x 1/2	37852	40	320	0.110	-	-	-
** 1/2 x 1/8 x 3/4	37850	20	160	0.170	-	-	-
** 3/4 x 1/8 x 3/4	37855	35	210	0.186	-	-	-
** 1 x 1/8 x 1	37857	15	90	0.300	-	-	-
** 1 1/4 x 1/8 x 1 1/4	37858	-	45	0.501	-	-	-



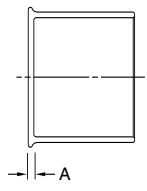
C x F x C

WROT 111-2		Street Tee Copper to Fitting to Copper			CAST		
Nominal Size In Inches	Part Number	Box Quantity	Master Pack	Approx. Net Wt.	Dim. A	Dim. B	Dim. C
1/2	33506	50	500	0.069	3/8	1 1/32	3/8
3/4	33508	25	250	0.147	1/2	1 7/16	15/32



C x FTG. x C


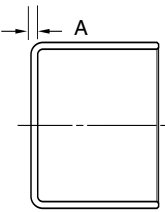
WROT 116		Fitting End Plug For Fitting			CAST	
Nominal Size In Inches	Part Number	Box Quantity	Master Pack	Approx. Net Wt.	Dim. A	
* 3/8	32020	50	1000	0.010	1/16	
1/2	32022	100	1000	0.016	3/32	
3/4	32026	50	500	0.036	1/8	
1	32028	25	250	0.059	5/32	




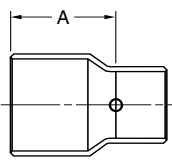
** Cast Bronze Only

*Factory Option—consult factory for price and delivery information.

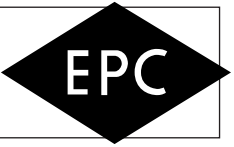
Wrot & Cast Pressure Fittings Caps & Reducers

WROT 117		Tube Cap For Tube End			CAST 4717	
						
Nominal Size In Inches	Part Number	Box Quantity	Master Pack	Approx. Net Wt.	Dim. A	
1/8	30620	50	1000	0.003	1/32	
1/4	30622	50	1000	0.005	1/16	
3/8	30624	50	1000	0.010	3/32	
1/2	30626	100	1000	0.016	5/64	
5/8	30628	25	500	0.030	1/8	
3/4	30630	50	500	0.036	5/64	
1	30632	50	500	0.059	1/8	
1 1/4	30634	25	250	0.108	5/32	
1 1/2	30636	20	200	0.159	5/32	
2	30638	10	100	0.284	5/32	
2 1/2	30640	5	50	0.469	5/32	
3	30642	5	50	0.713	3/16	
3 1/2	30644	1	10	0.970	3/16	
4	30646	1	10	1.384	7/32	
**5	34647	-	5	5.484	-	
**6	34648	-	5	9.670	-	

WROT 118		Fitting Reducer-cont. Fitting to Copper			CAST	
Nominal Size In Inches	Part Number	Box Quantity	Master Pack	Approx. Net Wt.	Dim. A	
3/4 x 3/8	32066	50	500	0.037	1 1/16	
3/4 x 1/4	32068	50	500	0.049	1 1/8	
1 x 3/4	32072	25	250	0.092	1 3/16	
1 x 5/8	32074	25	250	0.089	1 7/32	
1 x 1/2	32076	25	250	0.095	1 9/32	
1 x 3/8	32078	25	250	0.088	1 3/8	
1 1/4 x 1	32082	10	100	0.150	1 1/4	
1 1/4 x 3/4	32084	10	100	0.118	1 11/32	
1 1/4 x 1/2	32086	10	100	0.169	1 15/32	
1 1/2 x 1 1/4	32090	10	100	0.206	1 19/64	
1 1/2 x 1	32092	10	100	0.203	1 17/32	
1 1/2 x 3/4	32094	10	100	0.200	1 11/16	
1 1/2 x 1/2	32096	10	100	0.207	1 7/8	
2 x 1 1/2	32102	10	100	0.374	1 11/16	
2 x 1 1/4	32104	10	100	0.360	1 15/16	
2 x 1	32106	10	100	0.357	2 1/8	
2 x 3/4	32108	10	100	0.403	2 11/32	
2 x 1/2	32110	10	100	0.426	2 7/16	
2 1/2 x 2	32114	5	50	0.643	1 15/16	
2 1/2 x 1 1/2	32116	5	50	0.666	2 1/4	
2 1/2 x 1 1/4	32118	5	50	0.628	2 5/16	
2 1/2 x 1	32120	5	50	0.655	2 17/32	
3 x 2 1/2	32126	2	20	0.893	2 3/32	
3 x 2	32128	2	20	0.948	2 33/64	
3 x 1 1/2	32130	2	20	1.027	2 11/16	
3 x 1 1/4	32132	2	20	1.029	2 25/32	
3 1/2 x 3	32136	1	10	1.336	2 1/4	
3 1/2 x 2 1/2	32138	1	10	1.344	2 7/16	
3 1/2 x 2	32140	1	10	1.380	2 51/64	
4 x 3 1/2	32144	2	32	1.850	2 23/32	
4 x 3	32146	2	32	1.860	2 15/16	
4 x 2 1/2	32148	2	32	1.929	3 7/32	
4 x 2	32150	2	32	2.003	3 17/32	
5 x 4	32154	1	6	3.240	3 11/32	
5 x 3	32156	1	6	3.168	3 13/16	
5 x 2 1/2	32158	1	6	3.084	4 9/64	
5 x 2	32160	1	6	2.901	4 7/16	
6 x 5	32164	1	6	4.642	3 7/8	
6 x 4	32166	1	6	4.556	4 3/8	
6 x 3	32168	1	6	4.388	4 23/32	
6 x 2 1/2	32170	1	6	4.304	5 1/32	
6 x 2	32172	1	6	4.517	5 7/32	
8 x 6	32176	1	1	10.643	5 7/32	
8 x 5	32178	1	1	11.379	5 23/32	
8 x 4	32180	1	1	11.244	6 3/32	
8 x 3	32182	1	1	12.291	6 19/32	

WROT 118		Fitting Reducer Fitting to Copper			CAST	
						
Nominal Size In Inches	Part Number	Box Quantity	Master Pack	Approx. Net Wt.	Dim. A	
1/4 OD x 1/8 OD	32040	50	1000	0.004	33/64	
1/4 x 1/8	32042	50	1000	0.007	1/2	
3/8 x 1/4	32044	50	1000	0.014	17/32	
3/8 x 1/8	32046	50	1000	0.016	5/8	
1/2 x 3/8	32048	50	1000	0.025	23/32	
1/2 x 1/4	32050	50	1000	0.022	47/64	
5/8 x 1/2	32054	25	500	0.033	25/32	
5/8 x 3/8	32056	25	500	0.029	29/32	
5/8 x 1/4	32058	25	500	0.038	15/16	
3/4 x 5/8	32062	50	500	0.052	15/16	
3/4 x 1/2	32064	50	500	0.058	1	

Wrot & Cast Pressure Fittings Bushings & Straps



WROT 119	Flush Bushing Fitting to Copper				CAST	
FTG. x C						
Nominal Size In Inches	Part Number	Box Quantity	Master Pack	Approx. Net Wt.	Dim. A	Dim. B
1/4 x 1/8	30530	50	1000	0.008	3/8	1/16
3/8 x 1/4	30532	50	1000	0.011	3/8	1/16
1/2 x 3/8	30536	50	1000	0.019	9/16	3/16
1/2 x 1/4	30538	50	1000	0.034	1/2	3/16
5/8 x 1/2	30542	25	500	0.028	5/8	1/8
5/8 x 3/8	30544	25	500	0.054	5/8	1/4
3/4 x 5/8	30548	50	500	0.040	3/4	1/8
3/4 x 1/2	30550	50	500	0.070	3/4	1/4
1 x 3/4	30556	25	250	0.115	29/32	5/32
1 x 1/2	30560	25	250	0.211	29/32	13/32
1 1/4 x 1	30564	25	250	0.146	31/32	1/16
1 1/2 x 1 1/4	30570	20	200	0.199	1 3/32	1/8
2 x 1 1/2	30580	5	50	0.648	1 11/32	1/4

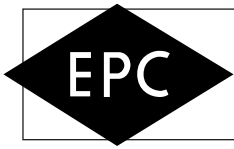
WROT 120	Copper Tube Strap Double Hole				CAST
Nominal Size In Inches	Part Number	Box Quantity	Master Pack	Approx. Net Wt.	
1/8	32410	100	2000	0.008	
1/4	32412	100	2000	0.011	
3/8	32414	100	2000	0.014	
1/2	32416	100	1000	0.016	
5/8	32418	100	1000	0.021	
3/4	32420	100	1000	0.022	
1	32422	100	1000	0.025	
1 1/4	32424	50	500	0.041	
1 1/2	32426	50	500	0.048	
2	32428	100	800	0.062	

WROT 119-3	Flush Bushing Fitting to Female N.P.T.				CAST 4718-3
FTG. x F					
Nominal Size In Inches	Part Number	Box Quantity	Master Pack	Approx. Net Wt.	Dim. A
1/2 x 1/4	30600	50	1000	0.021	9/16
1/2 x 1/8	30602	50	1000	0.034	9/16
**1 x 1/2	34614	25	250	0.125	-
**1 1/4 x 3/4	34616	10	200	0.159	-

WROT 120-S	Copper Tube Strap Single Hole Heavy Weight				CAST
Nominal Size In Inches	Part Number	Box Quantity	Master Pack	Approx. Net Wt.	
1/8	32440	100	2000	0.007	
1/4	32442	100	2000	0.009	
3/8	32444	100	2000	0.012	
1/2	32446	100	2000	0.014	


** Cast Bronze Only

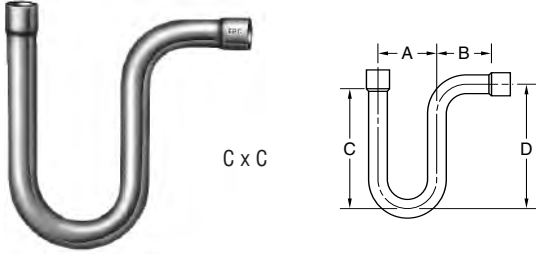
*Factory Option—consult factory for price and delivery information.


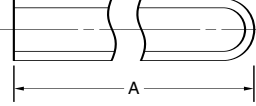



Wrot & Cast Pressure Fittings


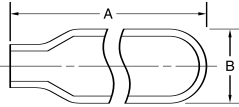
Straps, Air Chambers, P-Traps, & Hangers

WROT 125	Perforated Copper Strap 3/4" Wide		CAST		
					
Size	Part Number	Box Quantity	Master Pack	Approx. Net Wt.	
10 Ft. Roll	32400	6	48	0.704	
25 Ft. Roll	32402	6	48	1.766	

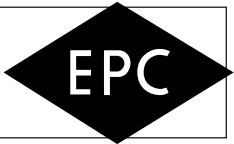
WROT 123	Suction-Line P-Trap Copper to Copper		CAST					
								
O.D. Size in Inches	Part Number	Box Quantity	Master Pack	Approx. Net Wt.	Dim. A	Dim. B	Dim. C	Dim. D
5/8	32000	5	50	0.213	2 1/4	2 3/16	2 5/32	3 47/64
3/4	32002	10	60	0.465	3	2 7/8	5 9/32	6
7/8	32004	10	60	0.541	3 1/2	2 3/4	5 7/32	5 3/16
1 1/8	32006	-	10	0.902	3 17/32	2 11/64	4 59/64	5 9/32
1 3/8	32008	-	5	1.439	5	3 1/2	5 1/4	7
1 5/8	32010	-	5	2.491	7	4 1/2	7 3/4	9 1/2
2 1/8	32012	-	3	4.468	6	3 3/4	8 9/16	9 21/32

WROT 121	Stub Out Air Chamber For Fitting End		CAST			
						
From Type M Tube						
						
Nominal Size In Inches	Part Number	Box Quantity	Master Pack	Approx. Net Wt.	Dim. A	
1/2 x 6	32530	100	800	0.105	6	
1/2 x 8	32532	100	600	0.139	8	
1/2 x 12	32536	-	200	0.193	12	
3/4 x 12	32552	-	100	0.315	12	

WROT 124	Hi-Ear Hanger C		CAST				
							
Nominal Size In Inches	Part Number	Box Quantity	Master Pack	Approx. Net Wt.	Dim. A	Dim. B	
1/2	31980	100	1000	0.029	1 5/8	47/64	
3/4	31982	50	500	0.038	1 5/8	7/8	
1	31984	25	250	0.043	1 5/8	1	

WROT 122	Air Chamber For Fitting End		CAST			
						
						
Nominal Size In Inches	Part Number	Box Quantity	Master Pack	Approx. Net Wt.	Dim. A	Dim. B
1/2 x 6	30500	50	300	0.218	6	1
1/2 x 12	30506	-	50	0.423	12	1

Wrot & Cast Pressure Fittings Couplings, Return Bends, Elbows, & Adapters



WROT 136	Cross-Over Coupling Copper to Copper	CAST			
Nominal Size In Inches	Part Number	Box Quantity	Master Pack	Approx. Net Wt.	Dim. A
1/2	31070	5	100	0.090	1 19/64
3/4	31072	5	50	0.198	1 23/32

WROT	Copper Drain Coupling Copper to Copper with Drain Cap	CAST 4175		
Nominal Size In Inches	Part Number	Box Quantity	Master Pack	Approx. Net Wt.
**1/2	34766	75	300	0.080
**3/4	34767	25	200	0.140
**1	34768	10	100	0.220

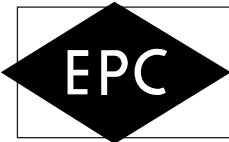
WROT 138	Return Bend Copper to Copper	CAST				
Nominal Size In Inches	Part Number	Box Quantity	Master Pack	Approx. Net Wt.	Dim. A	Dim. B
1/8 x 1	32300	50	1000	0.013	1	5/8
1/4 x 1 1/2	32302	50	500	0.031	1 1/2	15/16
1/4 x 1 1/4	32304	50	500	0.028	1 1/4	13/16
3/8 x 2	32316	25	250	0.069	2	1 1/4
3/8 x 1 1/2	32320	25	250	0.054	1 1/2	1
*1/2 x 3	32330	25	250	0.128	3	1 13/16
1/2 x 2 1/2	32332	25	250	0.113	2 1/2	1 9/16
1/2 x 2 1/4	32334	25	250	0.102	2 1/4	1 7/16
1/2 x 1 9/16	32344	25	250	0.078	1 9/16	1 3/32
1/2 x 1 1/2	32346	25	250	0.074	1 1/2	1 1/16
5/8 x 2 1/4	32352	10	100	0.138	2 1/4	1 5/8
5/8 x 2 1/8	32354	10	100	0.129	2 1/8	1 7/16
3/4 x 2 1/2	32364	10	100	0.194	2 1/2	1 11/16
3/4 x 2 3/8	32366	10	100	0.178	2 3/8	1 5/8
1 x 3 1/4	32368	5	50	0.412	3 1/4	2 3/16
1 x 3	32370	5	50	0.336	3	2 1/16
1 1/4 x 4	32374	5	40	0.606	4	2 11/16
1 1/2 x 4 3/8	32382	5	40	0.810	4 3/8	3
2 x 5 1/2	32384	4	32	1.802	5 1/2	3 13/16
2 x 5 1/8	32386	4	32	1.725	5 1/8	3 5/8

WROT	90° Copper Drain Elbow Copper to Copper with Drain Cap	CAST 4236		
Nominal Size In Inches	Part Number	Box Quantity	Master Pack	Approx. Net Wt.
**1/2	35578	50	500	0.100
**3/4	35580	25	250	0.200
**1	35583	10	100	0.310


WROT	Drop Adapter Copper to Female N.P.T.	CAST 4703-5		
Nominal Size In Inches	Part Number	Box Quantity	Master Pack	Approx. Net Wt.
**1/2	34446	50	200	0.150


** Cast Bronze Only


*Factory Option—consult factory for price and delivery information.





Wrot & Cast Pressure Fittings Adapters & Elbows

WROT	Hi-Ear Adapter Copper to Female N.P.T.			CAST 4703-5-1
				
C x F				
Nominal Size In Inches	Part Number	Box Quantity	Master Pack	Approx. Net Wt.
**1/2	34458	40	240	0.200

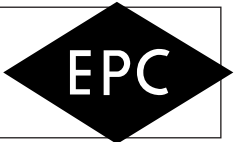
WROT	Hose Adapter Copper to Hose Thread N.H.T.			CAST 4704-HT
				
C x Hose Thread				
Nominal Size In Inches	Part Number	Box Quantity	Master Pack	Approx. Net Wt.
**1/2 x 3/4	34433	100	1000	0.080


WROT	Wing Adapter Copper to Female N.P.T.			CAST 4703-5-W
				
C x F				
Nominal Size In Inches	Part Number	Box Quantity	Master Pack	Approx. Net Wt.
**1/2	34453	50	300	0.150
**3/4	34455	25	150	0.250


WROT	90° CxF Elbow Copper to Female N.P.T.			CAST 4707-3
				
C x F				
Nominal Size In Inches	Part Number	Box Quantity	Master Pack	Approx. Net Wt.
**3/8	35302	50	500	0.090
**1/2	35306	50	200	0.113
**3/4	35312	30	120	0.194
**1	35317	-	100	0.438
**1 1/4	35322	-	60	0.707
**1 1/2	35328	-	40	0.912
**2	35337	-	15	1.458
**1/2 x 3/4	35308	25	250	0.200
**1/2 x 3/8	35309	100	600	0.085
**1/2 x 1/4	35310	50	500	0.096
**3/4 x 1	35314	20	120	0.358
**3/4 x 1/2	35315	45	180	0.187
**1 x 3/4	35319	20	120	0.330
**1 x 1/2	35320	25	150	0.260
**1 1/4 x 3/4	35326	10	100	0.470


WROT	Flush Adapter Copper to Male N.P.T.			CAST 4704-F
				
C x M				
Nominal Size In Inches	Part Number	Box Quantity	Master Pack	Approx. Net Wt.
**1/2	34380	200	2000	0.030
**3/4	34382	50	500	0.030


Wrot & Cast Pressure Fittings Elbows




WROT	90° Drop Elbow Copper to Female N.P.T.		CAST 4707-3-5	
 C x F				
Nominal Size In Inches	Part Number	Box Quantity	Master Pack	Approx. Net Wt.
**3/8	35438	50	500	0.120
**1/2	35440	25	200	0.160
**3/4	35445	20	120	0.250
**1	35447	-	50	0.490
**3/8 x 1/2	35439	25	200	0.190
**1/2 x 3/8	35444	50	300	0.110
**3/4 x 1/2	35446	25	100	0.240

WROT	90° Union Elbow Copper to Male N.P.T.		CAST 4707-4-6	
 C x M				
Nominal Size In Inches	Part Number	Box Quantity	Master Pack	Approx. Net Wt.
**1/2	35533	10	100	0.300
**3/4	35534	10	100	0.490
**1	35535	-	50	0.730

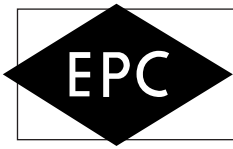
WROT	90° CxM Elbow Copper to Male N.P.T.		CAST 4707-4	
 C x M				
Nominal Size In Inches	Part Number	Box Quantity	Master Pack	Approx. Net Wt.
**3/8	35360	50	500	0.080
**1/2	35365	30	240	0.120
**3/4	35370	30	180	0.220
**1	35376	-	120	0.390
**1 1/4	35380	-	50	0.560
**1 1/2	35386	-	40	0.750
**2	35390	-	20	1.380
**1/2 x 3/4	35367	25	225	0.180
**1/2 x 3/8	35368	50	400	0.100
**3/4 x 1	35372	25	100	0.320
**3/4 x 1/2	35373	20	240	0.180
**1 x 3/4	35378	20	120	0.313

WROT	90° Drop Ear Elbow Copper to Copper		CAST 4707-5	
 C x C				
Nominal Size In Inches	Part Number	Box Quantity	Master Pack	Approx. Net Wt.
**1/2	35424	50	300	0.117
**3/4	35426	25	150	0.228


WROT	90° Hi-Ear Elbow Copper to Copper		CAST 4707-5-1	
 C x C				
Nominal Size In Inches	Part Number	Box Quantity	Master Pack	Approx. Net Wt.
**1/2	35458	50	300	0.128
**3/4	35459	25	150	0.210


** Cast Bronze Only


*Factory Option—consult factory for price and delivery information.





Wrot & Cast Pressure Fittings Elbows & Tees

WROT		90° Hi-Ear Elbow Copper to Female N.P.T.		CAST 4707-5-3	
				C x F	
Nominal Size In Inches	Part Number	Box Quantity	Master Pack	Approx. Net Wt.	
**1/2	35464	40	160	0.190	
**3/4	35466	25	150	0.300	

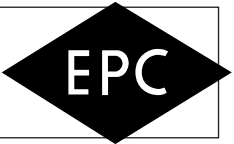
WROT		FxMxC Tee Female N.P.T. to Male N.P.T. to Copper		CAST 4710-3-4	
				F x M x C	
Nominal Size In Inches	Part Number	Box Quantity	Master Pack	Approx. Net Wt.	
**3/4 x 3/4 x 1/2	37696	25	150	0.330	


WROT		90° Flanged Sink Elbow Copper to Female N.P.T.		CAST 4708	
				C x F	
Nominal Size In Inches	Part Number	Box Quantity	Master Pack	Approx. Net Wt.	
**1/2	35493	25	150	0.200	


WROT		Drop Ear Tee Copper to Copper to Copper		CAST 4711-5	
				C x C x C	
Nominal Size In Inches	Part Number	Box Quantity	Master Pack	Approx. Net Wt.	
**1/2	37742	25	250	0.150	


WROT		FxFxC Tee Female N.P.T. to Female N.P.T. to Copper		CAST 4710-3	
				F x F x C	
Nominal Size In Inches	Part Number	Box Quantity	Master Pack	Approx. Net Wt.	
**1/2	37672	25	150	0.220	
**3/4	37674	20	120	0.370	
**3/4 x 3/4 x 1/2	37675	20	120	0.330	
**3/4 x 1/2 x 3/4	37676	20	120	0.310	
**3/4 x 1/2 x 1/2	37677	25	100	0.270	


Wrot & Cast Pressure Fittings Tees

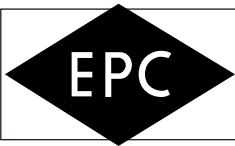


WROT	CxCxF Tee <small>Copper to Copper to Female N.P.T.</small>		CAST	
			4712	
	$C \times C \times F$			
Nominal Size In Inches	Part Number	Box Quantity	Master Pack	Approx. Net Wt.
**3/8	37405	50	400	0.110
**1/2	37409	50	200	0.200
**3/4	37418	25	150	0.310
* *1	37427	10	60	0.540
**1 1/4	37436	-	45	0.760
**1 1/2	37446	-	50	1.080
**2	37456	-	25	1.740
**1/2 x 1/2 x 3/4	37412	30	180	0.230
**1/2 x 1/2 x 3/8	37413	50	500	0.150
**1/2 x 1/2 x 1/4	37414	30	270	0.160
**1/2 x 1/2 x 1/8	37415	40	360	0.100
**3/4 x 3/4 x 1	37419	10	100	0.400
**3/4 x 3/4 x 1/2	37420	25	150	0.210
**3/4 x 3/4 x 3/8	37422	20	160	0.230
**3/4 x 1/2 x 3/4	37424	25	250	0.240
**1 x 1 x 3/4	37428	-	90	0.420
**1 x 1 x 1/2	37429	15	90	0.350
**1 1/4 x 1 1/4 x 1	37438	-	50	0.660
**1 1/4 x 1 1/4 x 3/4	37439	-	36	0.540
**1 1/4 x 1 1/4 x 1/2	37440	1	100	0.500
**1 1/2 x 1 1/2 x 1	37448	1	40	0.790
**1 1/2 x 1 1/2 x 3/4	37449	1	50	0.650
**1 1/2 x 1 1/2 x 1/2	37450	-	25	0.620
**2 x 2 x 1	37459	-	25	1.230
**2 x 2 x 3/4	37460	1	25	1.100
**2 x 2 x 1/2	37462	1	25	0.970


WROT	CxCxM Tee <small>Copper to Copper to Male N.P.T.</small>		CAST	
			4713	
	$C \times C \times M$			
Nominal Size In Inches	Part Number	Box Quantity	Master Pack	Approx. Net Wt.
**3/4	37497	20	120	0.290


WROT	CxFxC Tee <small>Copper to Female N.P.T. to Copper</small>		CAST	
			4714	
	$C \times F \times C$			
Nominal Size In Inches	Part Number	Box Quantity	Master Pack	Approx. Net Wt.
**1/2	37528	25	200	0.190
**3/4	37537	20	80	0.310
**1	37545	-	60	0.520
**1 1/4	37553	-	35	0.700
**1 1/2	37560	-	20	1.000
**2	37567	-	25	1.720
**1/2 x 3/4 x 1/2	37530	15	120	0.270
**3/4 x 1/2 x 3/4	37540	25	150	0.240
**1 x 3/4 x 1	37547	1	90	0.460
**1 x 1/2 x 1	37548	1	100	0.410
**1 1/4 x 3/4 x 1 1/4	37556	-	36	0.588
**1 1/4 x 1/2 x 1 1/4	37558	-	36	0.560
**1 1/2 x 3/4 x 1 1/2	37564	-	25	0.930
**1 1/2 x 1/2 x 1 1/2	37566	1	50	0.750
**2 x 3/4 x 2	37568	-	30	1.570
**2 x 1/2 x 2	37569	-	25	1.480


WROT	CxCxF Drop Ear Tee <small>Copper to Copper to Female N.P.T.</small>		CAST	
			4712-5	
	$C \times C \times F$			
Nominal Size In Inches	Part Number	Box Quantity	Master Pack	Approx. Net Wt.
**1/2	37753	20	160	0.240
**3/4	37755	15	90	0.370
**1/2 x 1/2 x 3/8	37754	20	160	0.190




Wrot & Cast Pressure Fittings Unions, Crosses & Flanges

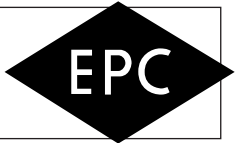
WROT	Union Copper to Female N.P.T.		CAST 4733-3	
 C x F				
Nominal Size In Inches	Part Number	Box Quantity	Master Pack	Approx. Net Wt.
**1/4	37965	10	200	0.140
**3/8	37966	10	200	0.190
**1/2	37967	25	125	0.260
**3/4	36969	25	100	0.370
**1	37970	-	50	0.610
**1 1/4	37973	5	50	0.980
**1 1/2	37975	-	30	1.210
**2	37977	-	15	1.900
**2 1/2	37979	10	20	3.610


WROT	Cross Copper to Copper to Copper to Copper			CAST 4735	
 C x C x C x C					
Nominal Size In Inches	Part Number	Box Quantity	Master Pack	Approx. Net Wt.	
***3/8	34842	25	250	0.080	
**1/2	34844	45	180	0.140	
**3/4	34847	15	90	0.300	
**1	34854	-	48	0.540	
**1 1/4	34863	-	25	0.750	
**1 1/2	34885	-	50	1.050	
**2	34928	-	8	2.000	


WROT	Union Copper to Male N.P.T.		CAST 4733-4	
 C x M				
Nominal Size In Inches	Part Number	Box Quantity	Master Pack	Approx. Net Wt.
**1/4	37985	25	250	0.130
**3/8	37986	10	100	0.200
**1/2	37987	25	125	0.280
**3/4	37992	10	100	0.430
**1	37996	-	50	0.680
**1 1/4	37998	5	50	0.980
**1 1/2	37999	-	50	1.350
**2	38000	-	20	2.170
**2 1/2	38002	10	20	4.130

WROT	125 lb. Companion Flange with A.S.M.E. Drilling Copper				CAST 4741				
 (Bolts not included)									
Nominal Size In Inches	Part Number	Flange Thickness	Flange O.D.	Bolt Circle DIA.	Hole DIA.	Bolt DIA.	Bolt Holes	Master Pack	Approx Net Wt.
**1/2	35644	3/16	3 1/2	2 3/8	5/8	1/2	4	50	0.530
**3/4	35646	3/16	3 7/8	2 3/4	5/8	1/2	4	50	0.710
**1	35649	1/4	4 1/4	3 1/8	5/8	1/2	4	50	1.090
**1 1/4	35653	1/4	4 5/8	3 1/2	5/8	1/2	4	50	1.140
**1 1/2	35656	5/16	5	3 7/8	5/8	1/2	4	24	1.640
**2	35659	3/8	6	4 3/4	3/4	5/8	4	15	2.740
**2 1/2	35663	3/8	7	5 1/2	3/4	5/8	4	12	3.570
**3	35666	7/16	7 1/2	6	3/4	5/8	4	6	4.950
**4	35673	7/16	9	7 1/2	3/4	5/8	8	6	6.950
**5	35676	7/16	10	8 1/2	7/8	3/4	8	4	9.040
**6	35679	1/2	11	9 1/2	7/8	3/4	8	2	13.180
**8	35682	5/8	13 1/2	11 3/4	7/8	3/4	8	1	25.900


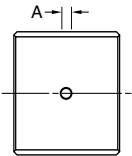
Wrot & Cast Pressure Fittings Flanges & Y's


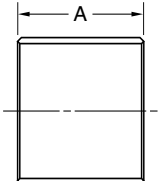


WROT	150 lb. Companion Flange with A.S.M.E. Drilling <small>Copper</small>	CAST							
		4771							
(Bolts not included)									
									
Nominal Size In Inches	Part Number	Flange Thickness	Flange O.D.	Bolt Circle	Hole DIA.	Bolt DIA.	Bolt Holes	Master Pack	Approx Net Wt.
**1	35794	3/8	4 1/4	3 1/8	5/8	1/2	4	12	1.410
**1 1/4	35799	13/32	4 5/8	3 1/2	5/8	1/2	4	40	1.860
**1 1/2	35806	7/16	5	3 7/8	5/8	1/2	4	20	2.430
**2	35810	1/2	6	4 3/4	3/4	5/8	4	15	3.670
**2 1/2	35816	9/16	7	5 1/2	3/4	5/8	4	5	5.490
**3	35822	5/8	7 1/2	6	3/4	5/8	4	6	7.440
**4	35834	11/16	9	7 1/2	3/4	5/8	8	3	10.350
**5	35837	3/4	10	8 1/2	7/8	3/4	8	2	15.690
**6	35840	13/16	11	9 1/2	7/8	3/4	8	2	19.330
**8	35844	15/16	13 1/2	11 3/4	7/8	3/4	8	1	42.130

WROT	45° Y <small>Copper to Copper to Copper</small>	CAST			
		4749			
					
C x C x C					
Nominal Size In Inches	Part Number	Box Quantity	Master Pack	Approx. Net Wt.	
**1/2	38063	25	200	0.150	
**3/4	38064	20	120	0.340	
**1	38066	10	60	0.550	
**1 1/4	38069	5	50	0.810	
**1 1/2	38072	5	50	1.140	
**2	38075	-	25	2.170	

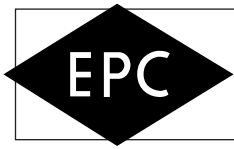
Wrot & Cast Drainage Fittings Couplings

WROT	301 DWV-Coupling <small>With Stop Copper to Copper</small>	CAST				
 						
C x C W/Stop						
Nominal Size In Inches	Part Number	Box Quantity	Master Pack	Approx. Net Wt.	Dim. A	
1 1/4	46230	25	250	0.061	3/32	
1 1/2	46232	25	250	0.089	3/32	
2	46236	10	100	0.123	3/32	
3	46242	5	50	0.224	3/32	
*4	46250	2	20	0.497	1/8	

WROT	301-NS DWV-Coupling <small>Without Stop Copper to Copper</small>	CAST				
 						
C x C Without Stop						
Nominal Size In Inches	Part Number	Box Quantity	Master Pack	Approx. Net Wt.	Dim. A	
1 1/4	46270	25	250	0.062	1 3/32	
1 1/2	46272	25	250	0.081	1 1/8	
2	46274	10	100	0.115	1 11/32	
3	46276	5	50	0.229	1 19/32	
*4	46278	2	20	0.485	2 1/8	


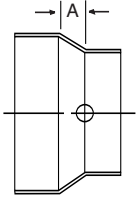
** Cast Bronze Only

*Factory Option—consult factory for price and delivery information.



Wrot & Cast Drainage Fittings Couplings, Bushings & Adapters


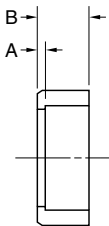
WROT 301-R	DWV-Coupling With Stop Copper to Copper	CAST 5801-R
----------------------	---------------------------------------------------	-----------------------

C x C

Nominal Size In Inches	Part Number	Box Quantity	Master Pack	Approx. Net Wt.	Dim. A
1 1/2 x 1 1/4	46234	25	250	0.107	1/4
2 x 1 1/2	46238	10	100	0.174	3/8
2 x 1 1/4	46240	10	100	0.181	5/8
3 x 2	46244	5	50	0.373	3/4
3 x 1 1/2	46246	5	50	0.430	7/8
3 x 1 1/4	46248	5	50	0.416	1 1/4
4 x 3	46252	5	40	0.606	3/4
**4 x 2	47818	-	25	1.257	-


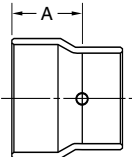
WROT 301-2-F	DWV-Flush Bushing Fitting to Copper	CAST
------------------------	-----------------------------------------------	------

FTG. x C

Nominal Size In Inches	Part Number	Box Quantity	Master Pack	Approx. Net Wt.	Dim. A	Dim. B
1 1/2 x 1 1/4	46180	25	250	0.122	1/8	5/8
2 x 1 1/2	46182	10	100	0.336	1/8	11/16


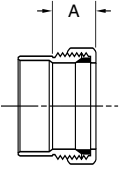
WROT 301-2	DWV-Extended Bushing Fitting to Copper	CAST 5801-2
----------------------	--------------------------------------------------	-----------------------

FTG. x C

Nominal Size In Inches	Part Number	Box Quantity	Master Pack	Approx. Net Wt.	Dim. A
1 1/2 x 1 1/4	46160	25	250	0.109	7/8
2 x 1 1/2	46162	10	100	0.175	1 3/32
2 x 1 1/4	46164	10	100	0.176	1 3/16
3 x 2	46166	5	50	0.366	1 7/16
3 x 1 1/2	46168	5	50	0.390	1 21/32
3 x 1 1/4	46170	5	50	0.410	2
**4 x 3	47616	-	25	1.060	-
**4 x 2	47618	-	40	1.260	-


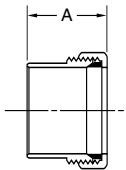
WROT 301-7	DWV-Trap Adapter CxSJ Copper to Slip Joint	CAST 5801-7
----------------------	------------------------------------------------------	-----------------------

C x SJ

Nominal Size In Inches	Part Number	Box Quantity	Master Pack	Approx. Net Wt.	Dim. A
1 1/4 x 1 1/4 OD	46110	25	250	0.206	21/32
** 1 1/2 x 1 1/2 OD	47368	10	100	0.230	-
1 1/2 x 1 1/4 OD	46114	10	100	0.270	7/8

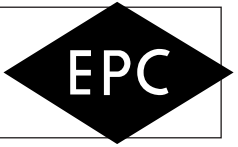
WROT 301-2-7	DWV-Fitting Trap Adapter Fitting to Slip Joint	CAST
------------------------	----------------------------------------------------------	------


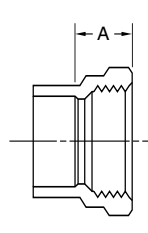
FTG. x SJ

Nominal Size In Inches	Part Number	Box Quantity	Master Pack	Approx. Net Wt.	Dim. A
1 1/2 x 1 1/2 OD	46122	10	100	0.258	1 7/16
1 1/2 x 1 1/4 OD	46124	10	100	0.230	1 7/16

Wrot & Cast Drainage Fittings Adapters



WROT 303	DWV-Female Adapter Copper to Female N.P.T.	CAST 5803
--------------------	------------------------------------------------------	---------------------


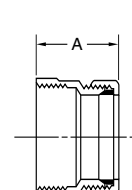
C x F

Nominal Size In Inches	Part Number	Box Quantity	Master Pack	Approx. Net Wt.	Dim. A
1 1/4	46000	20	200	0.287	27/32
1 1/2	46002	10	100	0.384	27/32
2	46004	10	100	0.591	31/32
**3	47022	-	30	1.450	-
**4	47028	-	15	2.310	-

WROT 304	DWV-Male Adapter-cont. Copper to Male N.P.T.	CAST 5804
--------------------	--------------------------------------------------------	---------------------

Nominal Size In Inches	Part Number	Box Quantity	Master Pack	Approx. Net Wt.	Dim. A
2	46040	5	100	0.518	15/16
**3	47066	-	40	1.294	-
**4	47070	-	18	2.588	-
**1 1/4 x 1 1/2	47050	-	100	0.380	-
**1 1/2 x 2	47054	-	50	0.550	-
**1 1/2 x 1 1/4	47056	-	75	0.309	-
**2 x 1 1/2	47060	10	100	0.455	-


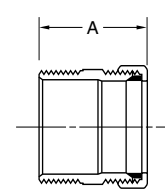
WROT 303-7	DWV-Trap Adapter FxSJ Female N.P.T. to Slip Joint	CAST
----------------------	-------------------------------------------------------------	------

F x SJ

Nominal Size In Inches	Part Number	Box Quantity	Master Pack	Approx. Net Wt.	Dim. A
1 1/4 x 1 1/4 OD	46130	10	100	0.340	1 7/16
1 1/2 x 1 1/2 OD	46132	10	100	0.400	1 7/16


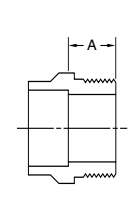
WROT 304-7	DWV-Trap Adapter MxSJ Male N.P.T. to Slip Joint	CAST
----------------------	-----------------------------------------------------------	------

M x SJ

Nominal Size In Inches	Part Number	Box Quantity	Master Pack	Approx. Net Wt.	Dim. A
1 1/4 x 1 1/4 OD	46140	10	100	0.420	1 3/4
1 1/2 x 1 1/2 OD	46142	10	100	0.499	1 25/32
1 1/2 x 1 1/4 OD	46144	10	100	0.530	1 29/32


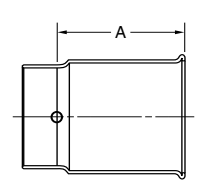
WROT 304	DWV-Male Adapter Copper to Male N.P.T.	CAST 5804
--------------------	--------------------------------------------------	---------------------

C x M

Nominal Size In Inches	Part Number	Box Quantity	Master Pack	Approx. Net Wt.	Dim. A
1 1/4	46030	10	100	0.291	15/16
**1 1/2	47052	-	125	0.321	-

WROT 305	DWV-Soil Pipe Adapter Copper to Soil Pipe	CAST
--------------------	-----------------------------------------------------	------

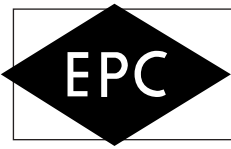



C x SP

Nominal Size In Inches	Part Number	Box Quantity	Master Pack	Approx. Net Wt.	Dim. A
2	46056	10	80	0.548	2 23/32
3	46062	5	40	1.093	2 15/16
4	46066	2	12	2.070	3 1/8
1 1/4 x 2	46050	10	80	0.660	3 7/8


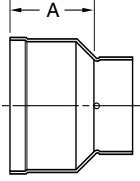
** Cast Bronze Only


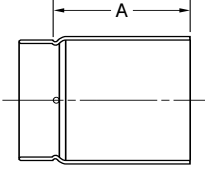
*Factory Option—consult factory for price and delivery information.


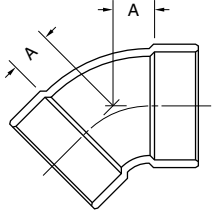



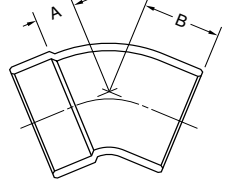
Wrot & Cast Drainage Fittings Adapters & Elbows

WROT 305		DWV-Soil Pipe Adapter-cont.			CAST	
Copper to Soil Pipe						
Nominal Size In Inches	Part Number	Box Quantity	Master Pack	Approx. Net Wt.	Dim. A	
1 1/2 x 3	46052	-	10	1.426	4 1/8	
1 1/2 x 2	46054	10	80	0.676	3 23/32	
2 x 3	46060	-	10	1.509	4 3/16	
3 x 4	46064	2	12	2.491	4 15/32	

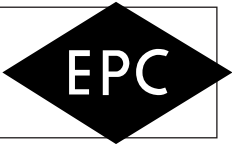
WROT 305-NH		DWV-No-Hub Soil Pipe Adapter			CAST 5805-NH	
Copper to No-Hub						
(Service weight) For Use With Neoprene Gasket						
						
C x NH						
Nominal Size In Inches	Part Number	Box Quantity	Master Pack	Approx. Net Wt.	Dim. A	
2	46086	5	50	0.276	1 3/8	
**2	47284	-	50	0.430	-	
3	46088	5	40	0.588	1 13/32	
**3	47290	-	35	0.690	-	
4	46090	2	20	1.044	1 13/32	
**4	47294	-	50	1.140	-	
1 1/4 x 2	46082	5	50	0.313	1 53/64	
1 1/2 x 2	46084	5	50	0.298	1 37/64	
**1 1/2 x 2	47282	-	50	0.450	-	

WROT 305-P		DWV-Soil Pipe Adapter Plain End			CAST	
Copper to Spigot						
(Service Weight) For Use With Neoprene Gasket						
						
C x Spigot						
Nominal Size In Inches	Part Number	Box Quantity	Master Pack	Approx. Net Wt.	Dim. A	
2	46076	5	50	0.442	2 1/2	

WROT 306		45° DWV-Elbow			CAST	
¾ Bend Copper to Copper						
						
C x C						
Nominal Size In Inches	Part Number	Box Quantity	Master Pack	Approx. Net Wt.	Dim. A	
1 1/4	46352	10	100	0.121	31/64	
1 1/2	46354	10	100	0.192	19/32	
2	46356	5	50	0.307	51/64	
3	46358	2	20	0.630	1 3/16	
4	46360	1	16	1.500	1 37/64	

WROT 306-2		45° DWV-Street Elbow			CAST	
¾ Bend Fitting to Copper						
						
FTG. x C						
Nominal Size In Inches	Part Number	Box Quantity	Master Pack	Approx. Net Wt.	Dim. A	Dim. B
1 1/4	46370	10	100	0.132	31/64	1 3/64
1 1/2	46372	10	100	0.192	19/32	1 7/32
2	46374	5	50	0.316	51/64	1 31/64
3	46376	2	20	0.652	1 3/16	2
*4	46378	1	16	1.470	1 37/64	2 41/64

Wrot & Cast Drainage Fittings Elbows



WROT 307		90° DWV-Elbow ¼ Bend Copper to Copper			CAST 5807	
		C x C		FTG. x C		
Nominal Size In Inches	Part Number	Box Quantity	Master Pack	Approx. Net Wt.	Dim. A	Dim. B
1 1/4	46410	10	100	0.177	1 11/64	1 11/64
1 1/2	46412	10	100	0.285	1 13/32	1 13/32
2	46416	5	50	0.470	1 59/64	1 59/64
3	46418	2	16	0.990	2 7/8	2 7/8
4	46422	1	8	2.290	3 51/64	3 51/64
1 1/2 x 1 1/4	46414	10	100	0.216	1 11/32	1 5/32
**2 x 1 1/2	48138	-	65	0.680	-	-

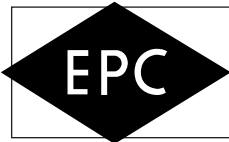
WROT 307-2		90° DWV-Street Elbow ¼ Bend Fitting to Copper			CAST	
		FTG. x C		C x C		
Nominal Size In Inches	Part Number	Box Quantity	Master Pack	Approx. Net Wt.	Dim. A	Dim. B
1 1/4	46450	10	100	0.181	1 11/64	1 47/64
1 1/2	46452	10	100	0.285	1 13/32	2 1/32
2	46454	5	50	0.470	1 59/64	2 39/64
3	46456	2	16	1.010	2 7/8	3 11/16
4	46458	1	8	2.270	3 51/64	4 55/64

WROT 307-LT		90° DWV-Long Radius Elbow Copper to Copper			CAST	
		C x C		C x C		
Nominal Size In Inches	Part Number	Box Quantity	Master Pack	Approx. Net Wt.	Dim. A	
1 1/2	46430	5	50	0.410	2 1/8	
2	46432	5	40	0.714	2 3/4	

WROT 308		22½° DWV-Elbow ⅙ Bend Copper to Copper			CAST	
		C x C		C x C		
Nominal Size In Inches	Part Number	Box Quantity	Master Pack	Approx. Net Wt.	Dim. A	
1 1/4	46330	10	100	0.096	15/64	
1 1/2	46332	10	100	0.153	9/32	
2	46334	5	50	0.236	3/8	
3	46336	2	20	0.453	1/2	

** Cast Bronze Only

*Factory Option—consult factory for price and delivery information.



Wrot & Cast Drainage Fittings

Elbows, Y's & Tees

WROT 309	11¼° DWV-Elbow ½ Bend Copper to Copper	CAST			
C x C					
Nominal Size In Inches	Part Number	Box Quantity	Master Pack	Approx. Net Wt.	Dim. A
* 1 1/4	46310	10	100	0.099	7/64
1 1/2	46312	10	100	0.124	9/64
2	46314	5	50	0.200	3/16
* 3	46316	2	20	0.457	3/16

WROT 310	45° DWV-Y-cont. Copper to Copper to Copper	CAST 5810					
Nominal Size In Inches	Part Number	Box Quantity	Master Pack	Approx. Net Wt.	Dim. A	Dim. B	Dim. C
2	46636	5	40	0.861	9/16	2 13/16	2 13/16
3	46642	2	16	2.318	13/16	4 1/8	4 1/8
** 4	50798	-	5	5.245	-	-	-
1 1/2 x 1 1/2 x 1 1/4	46634	5	50	0.399	1/4	2 1/8	2 1/16
2 x 2 x 1 1/2	46638	5	40	0.801	7/32	2 19/32	2 17/32
** 2 x 2 x 1 1/4	50774	-	50	1.077	-	-	-
** 2 x 1 1/2 x 2	50776	-	35	1.115	-	-	-
** 2 x 1 1/2 x 1 1/2	50778	-	50	0.910	-	-	-
3 x 3 x 2	46644	3	18	1.754	1/8	3 3/8	3 9/16
3 x 3 x 1 1/2	46646	4	32	1.345	1/4	2 11/16	3 5/16
* 3 x 3 x 1 1/4	46648	4	32	1.309	3/8	2 5/16	3 3/16
** 4 x 4 x 3	50800	-	10	3.725	-	-	-
** 4 x 4 x 2	50802	-	10	2.904	-	-	-

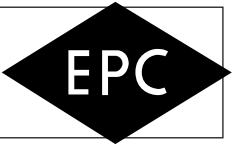
WROT 360	60° DWV-Elbow ½ Bend Copper to Copper	CAST			
C x C					
Nominal Size In Inches	Part Number	Box Quantity	Master Pack	Approx. Net Wt.	Dim. A
* 1 1/4	46390	10	100	0.149	43/64
1 1/2	46392	10	100	0.230	13/16
2	46394	5	50	0.366	1 7/64

WROT 311	90° DWV-Sanitary Tee Copper to Copper to Copper	CAST 5811					
C x C x C							
Nominal Size In Inches	Part Number	Box Quantity	Master Pack	Approx. Net Wt.	Dim. A	Dim. B	Dim. C
1 1/4	46560	10	100	0.247	1 3/16	1 3/16	7/8
1 1/2	46562	10	80	0.404	1 1/4	1 1/4	13/16
2	46570	5	40	0.659	1 11/16	1 3/4	1 1/16
3	46580	2	16	1.480	2 1/2	2 3/4	1 5/8
1 1/2 x 1 1/2 x 1 1/4	46564	5	50	0.416	1 5/16	1 3/32	3/4
* 1 1/2 x 1 1/4 x 1 1/2	46566	5	50	0.416	1 5/16	1 7/16	15/16
1 1/2 x 1 1/4 x 1 1/4	46568	5	50	0.416	1 5/16	1 3/32	3/4
2 x 2 x 1 1/2	46572	5	40	0.546	1 1/2	1 5/16	13/16
2 x 2 x 1 1/4	46574	5	40	0.453	1 1/2	1 1/8	3/4
2 x 1 1/2 x 2	46576	5	40	0.670	1 11/16	1 15/16	1 3/8
2 x 1 1/2 x 1 1/2	46578	5	40	0.601	1 1/2	1 5/16	1 3/16
3 x 3 x 2	46582	5	40	1.001	2 1/8	1 7/8	1 1/8
3 x 3 x 1 1/2	46584	5	40	0.955	2 3/16	1 7/16	15/16
3 x 3 x 1 1/4	46586	5	40	0.810	2 1/16	1 3/16	13/16
** 4	48812	-	5	5.380	-	-	-
** 4 x 4 x 3	48814	-	10	3.488	-	-	-
** 4 x 4 x 2	48816	-	12	2.550	-	-	-

WROT 310	45° DWV-Y Copper to Copper to Copper	CAST 5810					
C x C x C							
Nominal Size In Inches	Part Number	Box Quantity	Master Pack	Approx. Net Wt.	Dim. A	Dim. B	Dim. C
1 1/4	46630	5	50	0.347	5/16	1 13/16	1 15/16
1 1/2	46632	10	80	0.475	3/8	2 3/16	2 3/16

Wrot & Cast Drainage Fittings

Test Fittings, Flanges, & Adapters



WROT 316-T	To be used for test purposes only. DWV-Test Cap Not intended for sustained pressure.				CAST
Nominal Size In Inches	Part Number	Box Quantity	Master Pack	Approx. Net Wt.	Dim. A
1/2	46200	100	2000	0.003	1/4
3/4	46202	100	2000	0.004	1/4
1	46204	100	1000	0.006	1/4
1 1/4	46206	50	1000	0.008	1/4
1 1/2	46208	50	500	0.011	1/4
2	46210	50	500	0.017	1/4
*3	46212	25	250	0.067	1/2
*4	46214	10	100	0.054	5/16

WROT	DWV-Trap Adapter Copper x OD Tube			CAST 5180
C x O.D. Tube				
Nominal Size In Inches	Part Number	Box Quantity	Master Pack	Approx. Net Wt.
**1 1/4 x 1 1/4 OD	47382	25	250	0.210
**1 1/2 x 1 1/2 OD	47384	-	100	0.220
**1 1/2 x 1 1/4 OD	47386	10	100	0.220

WROT	DWV-Trap Adapter O D Tube x Male			CAST 5182
O.D. Tube x M				
Nominal Size In Inches	Part Number	Box Quantity	Master Pack	Approx. Net Wt.
**1 1/4 OD x 1 1/2	47472	10	100	0.470


WROT 351	DWV-Closet Flange				CAST		
Nominal Size In Inches	Part Number	Box Quantity	Master Pack	Approx. Net Wt.	Dim. A	Dim. B	Dim. C
3	46470	10	60	0.801	1 11/16	6 3/4	6
4	46472	5	40	0.551	5/8	6 3/4	6


** Cast Bronze Only


*Factory Option—consult factory for price and delivery information.


Wrot & Cast Drainage Fittings


Adapters, Upturns, & Traps

WROT	DWV-Trap Upturn Male to OD Fine Thread			CAST 5427
				
M x O.D. Fine Thread				
Nominal Size In Inches	Part Number	Box Quantity	Master Pack	Approx. Net Wt.
**1 1/2 x 1 1/2 OD	50416	-	50	1.110

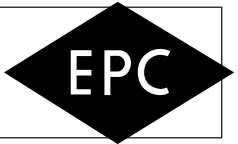
WROT	DWV-P-Trap with Cleanout Copper to Copper to Cleanout W/Plug			CAST 5551
				
C x C x Cleanout W/Plug				
Nominal Size In Inches	Part Number	Box Quantity	Master Pack	Approx. Net Wt.
** 1 1/4	49770	-	50	1.210
** 1 1/2	49772	1	25	1.530
** 2	49776	1	12	2.260
*** 3	49780	-	10	5.740


WROT	DWV-P-Trap Copper to Copper			CAST 5550
				
C x C				
Nominal Size In Inches	Part Number	Box Quantity	Master Pack	Approx. Net Wt.
**1 1/4	49750	-	50	1.090
**1 1/2	49752	1	25	1.450
**2	49758	1	12	2.110
**3	49762	-	10	5.170


WROT	DWV-P-Trap with Cleanout Copper to SJ to Cleanout W/Plug			CAST 5555
				
C x SJ x Cleanout W/Plug				
Nominal Size In Inches	Part Number	Box Quantity	Master Pack	Approx. Net Wt.
**1 1/2 x 1 1/2 OD	49842	-	50	1.800


WROT	DWV-P-Trap with Union Joint Female N.P.T. to SJ L.A. Pattern			CAST 5556
				
F x SJ				
Nominal Size In Inches	Part Number	Box Quantity	Master Pack	Approx. Net Wt.
**1 1/2 x 1 1/2 OD	49952	-	25	2.090


Wrot & Cast Drainage Fittings Traps & Adapters





WROT	DWV-P-Trap with Union Joint <small>Female N.P.T. to SJ</small>	CAST 5557			
 F x SJ					
Nominal Size In Inches	Part Number	Box Quantity	Master Pack	Approx. Net Wt.	
**1 1/2	49932	-	25	2.220	

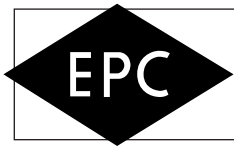
WROT	DWV-Marvel Thread Piece <small>Copper to SJ</small>	CAST 5802			
 C x SJ					
Nominal Size In Inches	Part Number	Box Quantity	Master Pack	Approx. Net Wt.	
**1 1/4	47350	50	500	0.050	
**1 1/2	47354	50	500	0.050	
**2	47358	25	250	0.050	

WROT	DWV-P-Trap with Union Joint <small>Copper to Slip Joint</small>	CAST 5558			
 C x SJ					
Nominal Size In Inches	Part Number	Box Quantity	Master Pack	Approx. Net Wt.	
**1 1/2	49882	-	30	1.860	


WROT	DWV-Flush Trap Adapter <small>Copper to Male N.P.T.</small>	CAST 5802-C			
 C x M					
Nominal Size In Inches	Part Number	Box Quantity	Master Pack	Approx. Net Wt.	
**1 1/2	47336	25	250	0.200	
**2	47340	10	100	0.250	


WROT	DWV-P-Trap with Union Joint <small>Copper to SJ L.A.Pattern</small>	CAST 5559			
 C x SJ					
Nominal Size In Inches	Part Number	Box Quantity	Master Pack	Approx. Net Wt.	
**1 1/2 x 1 1/2 OD	49892	-	30	2.030	


WROT	DWV-Fitting Adapter <small>Fitting to Female N.P.T.</small>	CAST 5803-2			
 FTG. x F					
Nominal Size In Inches	Part Number	Box Quantity	Master Pack	Approx. Net Wt.	
**1 1/2	47098	1	100	0.380	
**2	47102	-	50	0.560	
**3	47106	-	15	1.440	





Wrot & Cast Drainage Fittings Adapters & Tees

WROT		DWV-Fitting x Male Adapter Fitting to Male N.P.T.			CAST 5804-2
					FTG. x M
Nominal Size In Inches	Part Number	Box Quantity	Master Pack	Approx. Net Wt.	
**1 1/2	47128	-	75	0.500	
**2	47130	-	50	0.610	

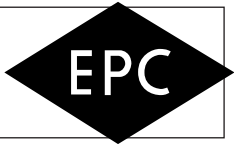
WROT		DWV-Utility Tee Copper to Copper to Copper to Copper			CAST 5499
					C x C x C x C
Nominal Size In Inches	Part Number	Box Quantity	Master Pack	Approx. Net Wt.	
*2	49306	-	20	1.520	


WROT		DWV-Trap Adapter Copper to Male N.P.T.			CAST 5804-S
					C x M
Nominal Size In Inches	Part Number	Box Quantity	Master Pack	Approx. Net Wt.	
**1 1/4	47310	25	250	0.220	
**1 1/2	47314	20	200	0.240	
**2	47320	10	100	0.330	
**1 1/4 x 1 1/2	47312	10	100	0.440	


WROT		DWV-Double L T Tee Copper to Copper to Copper to Copper			CAST 5516
					C x C x C x C
Nominal Size In Inches	Part Number	Box Quantity	Master Pack	Approx. Net Wt.	
**2 x 1 1/2 x 1 1/2 x 1 1/2	49572	-	25	1.730	


WROT		DWV-Tee Copper to Copper to Female N.P.T.			CAST 5811-CCF
					C x C x F
Nominal Size In Inches	Part Number	Box Quantity	Master Pack	Approx. Net Wt.	
**1 1/2	48912	-	60	0.880	
**2	48920	-	25	1.570	


Wrot & Cast Drainage Fittings Tees, T-Y's & Cleanouts



WROT	DWV-Tee Copper to Female N.P.T. to Copper	CAST 5811-CFC			
 C x F x C					
Nominal Size In Inches	Part Number	Box Quantity	Master Pack	Approx. Net Wt.	
**1 1/2	48974	-	50	0.960	

WROT	DWV-Test Tee Copper to Copper to Cleanout W/Plug	CAST 5814			
 C x C x Cleanout W/Plug					
Nominal Size In Inches	Part Number	Box Quantity	Master Pack	Approx. Net Wt.	
**1 1/2	49258	-	50	1.000	
**2	49260	-	20	1.350	
**3	49262	-	10	3.780	


WROT	DWV-Long Turn T-Y Copper to Copper to Copper	CAST 5812			
 C x C x C					
Nominal Size In Inches	Part Number	Box Quantity	Master Pack	Approx. Net Wt.	
**1 1/2	50442	-	40	0.870	
**2	50448	-	15	1.980	
**3	50462	-	10	3.690	
**4	50476	-	4	9.000	
**2 x 2 x 1 1/2	50450	-	30	1.020	
**2 x 1 1/2 x 1 1/2	50456	-	30	0.900	
**3 x 3 x 2	50466	-	18	2.780	

WROT	DWV-Fitting Cleanout Fitting to Cleanout W/Plug	CAST 5816			
 FTG. x Cleanout W/Plug					
Nominal Size In Inches	Part Number	Box Quantity	Master Pack	Approx. Net Wt.	
**1 1/4	47742	10	100	0.490	
**1 1/2	47744	-	75	0.600	
**2	47746	-	50	0.870	
**3	47748	-	20	2.370	
**4	47750	-	10	3.990	


** Cast Bronze Only


*Factory Option—consult factory for price and delivery information.


Wrot & Cast Drainage Fittings


WROT	DWV-Flush Fitting Cleanout Fitting to Cleanout W/Plug			CAST 5816-S
				
FTG. x Cleanout W/Plug				
Nominal Size In Inches	Part Number	Box Quantity	Master Pack	Approx. Net Wt.
**1 1/4 x 3/4	47768	25	250	0.200
**1 1/2 x 1	47770	15	150	0.290
**2 x 1 1/2	47772	10	100	0.420
**3 x 2 1/2	47774	-	50	0.960
**4 x 3	47776	-	30	2.250

WROT	45° DWV-Double Y-cont. Copper to Copper to Copper to Copper			CAST 5834
Nominal Size In Inches	Part Number	Box Quantity	Master Pack	Approx. Net Wt.
**3	51210	-	10	3.950
**2 x 2 x 1 1/2 x 1 1/2	51198	-	30	1.240

WROT	DWV-Double Tee Copper to Copper to Copper to Copper			CAST 5835
				
C x C x C x C				
Nominal Size In Inches	Part Number	Box Quantity	Master Pack	Approx. Net Wt.
**1 1/4	49390	-	50	0.670
**1 1/2	49392	-	50	0.780
**2	49398	-	20	1.310
**2 x 2 x 1 1/2 x 1 1/2	49400	-	25	0.920
**2 x 2 x 1 1/4 x 1 1/4	49404	-	25	0.870
**2 x 1 1/2 x 1 1/2 x 1 1/2	49406	-	25	0.900
**3 x 3 x 2 x 2	49412	-	15	2.140
**3 x 3 x 1 1/2 x 1 1/2	49416	-	25	1.510


WROT	DWV-Plug Cored Hex Head			CAST 5819
				
Cored Hex Head				
Nominal Size In Inches	Part Number	Box Quantity	Master Pack	Approx. Net Wt.
**1 1/2	48602	25	250	0.220


WROT	45° DWV-Double Y Copper to Copper to Copper to Copper			CAST 5834
				
C x C x C x C				
Nominal Size In Inches	Part Number	Box Quantity	Master Pack	Approx. Net Wt.
**1 1/2	51182	-	40	1.080
**2	51194	-	20	2.000


WROT	DWV-Double Long Turn T-Y Copper to Copper to Copper to Copper			CAST 5836
				
C x C x C x C				
Nominal Size In Inches	Part Number	Box Quantity	Master Pack	Approx. Net Wt.
**1 1/2	50632	-	25	1.250
**2	50638	-	12	2.830
**2 x 2 x 1 1/2 x 1 1/2	50640	-	20	1.960


Wrot & Cast Drainage Fittings


EPC

WROT	DWV-Double Elbow Copper to Copper to Copper		CAST	
			5837	
	C x C x C			
Nominal Size In Inches	Part Number	Box Quantity	Master Pack	Approx. Net Wt.
**1 1/2	48368	-	50	0.750
**2	48372	-	25	1.310
**1 1/2 x 1 1/4 x 1 1/4	48370	-	75	0.630
**2 x 1 1/2 x 1 1/2	48374	-	40	0.940

WROT	DWV-Trap Return Bend Copper to Copper		CAST	
			5879	
	C x C			
Nominal Size In Inches	Part Number	Box Quantity	Master Pack	Approx. Net Wt.
**1 1/4	47576	-	75	0.740
**1 1/2	47578	1	35	0.900
**2	47582	1	20	1.250
**3	47588	-	10	2.770
**2 x 1 1/2	47584	-	25	1.370

WROT	DWV-Trap Return Bend with Cleanout Copper to Copper to Cleanout W/Plug		CAST	
			5878	
	C x C x Cleanout W/Plug			
Nominal Size In Inches	Part Number	Box Quantity	Master Pack	Approx. Net Wt.
**1 1/4	47556	-	50	0.810
**1 1/2	47558	-	50	0.980
**2	47562	-	25	1.400

WROT	DWV-Drum Trap with Bottom Inlet C to F to Cleanout W/Plug, F Inlet in Bottom, C Outlet		CAST	
			5890	
	C to F to Cleanout W/Plug F Inlet in Bottom, C Outlet			
Nominal Size In Inches	Part Number	Box Quantity	Master Pack	Approx. Net Wt.
**1 1/2 x 3 x 5	49628	-	10	1.970

WROT	DWV-Swivel Drum Trap Copper to Copper to Cleanout W/Plug		CAST	
			5891	
	C x C x Cleanout W/Plug			
Nominal Size In Inches	Part Number	Box Quantity	Master Pack	Approx. Net Wt.
**1 1/2 x 3 x 6	49646	-	10	2.900

** Cast Bronze Only

*Factory Option—consult factory for price and delivery information.