
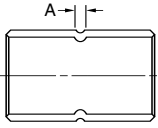

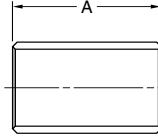

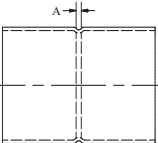

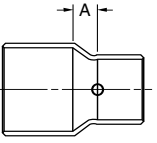


WROT 100		Coupling With Stop Copper to Copper		CAST	
					
Nominal Size In Inches	Part Number	Box Quantity	Master Pack	Approx. Net Wt.	Dim. A
1/4	30896	50	1000	0.007	3/32
3/8	30898	50	1000	0.014	3/32
1/2	30900	100	1000	0.021	3/32
5/8	30902	25	500	0.040	3/32
3/4	30904	50	500	0.056	3/32
7/8	30906	10	200	0.084	3/32
1	30908	25	250	0.122	3/32
1 1/4	30910	20	200	0.144	3/32
1 1/2	30914	10	100	0.216	3/32
2	30916	5	50	0.391	3/32
2 1/2	30918	5	50	0.624	3/32
3	30920	5	40	0.909	3/32
3 1/2	30922	1	16	1.369	3/32
4	30924	2	16	1.904	3/32
5	30926	1	6	3.365	3/16
6	30928	1	6	5.262	3/16
8	30930	1	1	12.941	1/8

WROT 101		Coupling Without Stop		CAST	
					
Nominal Size In Inches	Part Number	Box Quantity	Master Pack	Approx. Net Wt.	Dim. A
1/8	30944	50	1000	0.004	11/16
1/4	30948	50	1000	0.007	23/32
3/8	30950	50	1000	0.015	55/64
1/2	30952	100	1000	0.027	1 3/32
5/8	30954	25	500	0.041	1 21/64
3/4	30956	50	500	0.056	1 19/32
1	30960	25	250	0.121	1 29/32
1 1/4	30962	20	200	0.149	2 1/32
1 1/2	30964	10	100	0.213	2 17/64
2	30966	5	50	0.391	2 49/64
2 1/2	30968	5	50	0.616	3 1/32
3	30970	5	40	0.912	3 13/32
3 1/2	30972	1	16	1.352	3 29/32
4	30974	2	16	1.878	4 13/32
5	30976	1	6	3.365	5 1/2
6	30978	1	6	5.262	6 3/8
8	30980	1	1	12.941	8 1/4

WROT 100-RS		Coupling With Roll Stop Copper to Copper		CAST	
					
Nominal Size In Inches	Part Number	Box Quantity	Master Pack	Approx. Net Wt.	Dim. A
3/16 OD	30662	50	1000	0.002	1/16
5/16 OD	30672	50	1000	0.006	1/16
1/8	30666	50	1000	0.004	1/16
1/4	30678	50	1000	0.007	3/32
3/8	30686	50	1000	0.014	3/32
1/2	30694	100	1000	0.021	3/32
5/8	30702	25	500	0.040	3/32
3/4	30712	50	500	0.056	3/32
7/8	30724	10	200	0.084	3/32
1	30730	25	250	0.122	3/32
1 1/4	30746	20	200	0.144	3/32
1 1/2	30764	10	100	0.216	3/32
2	30782	5	50	0.391	3/32

WROT 101-R		Coupling With Stop Copper to Copper		CAST 4701-R	
					
Nominal Size In Inches	Part Number	Box Quantity	Master Pack	Approx. Net Wt.	Dim. A
1/4 OD x 3/16 OD	30668	50	1000	0.004	3/32
5/16 OD x 1/4 OD	30674	50	1000	0.007	3/32
3/8 OD x 5/16 OD	30680	50	1000	0.008	3/32
1/4 x 1/8	30684	50	1000	0.008	5/32
3/8 x 1/4	30688	50	1000	0.017	3/16
3/8 x 1/8	30692	50	1000	0.019	1/4
1/2 x 3/8	30696	50	1000	0.024	5/32
1/2 x 1/4	30698	50	1000	0.025	1/4
1/2 x 1/8	30700	50	1000	0.027	23/64
5/8 x 1/2	30704	25	500	0.035	5/32
5/8 x 3/8	30706	25	500	0.033	7/32
5/8 x 1/4	30708	25	500	0.043	5/16
3/4 x 5/8	30714	50	500	0.057	3/16