
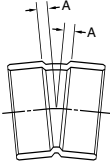

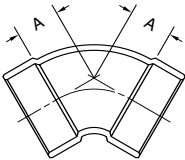



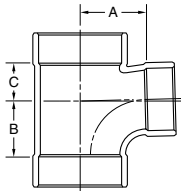
Wrot & Cast Drainage Fittings


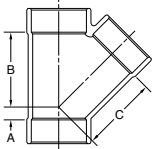
Elbows, Y's & Tees

WROT 309	11¼° DWV-Elbow ½ Bend Copper to Copper	CAST			
  <p style="text-align: center;">C x C</p>					
Nominal Size In Inches	Part Number	Box Quantity	Master Pack	Approx. Net Wt.	Dim. A
* 1 1/4	46310	10	100	0.099	7/64
1 1/2	46312	10	100	0.124	9/64
2	46314	5	50	0.200	3/16
* 3	46316	2	20	0.457	3/16

WROT 310	45° DWV-Y-cont. Copper to Copper to Copper	CAST 5810					
Nominal Size In Inches	Part Number	Box Quantity	Master Pack	Approx. Net Wt.	Dim. A	Dim. B	Dim. C
2	46636	5	40	0.861	9/16	2 13/16	2 13/16
3	46642	2	16	2.318	13/16	4 1/8	4 1/8
** 4	50798	-	5	5.245	-	-	-
1 1/2 x 1 1/2 x 1 1/4	46634	5	50	0.399	1/4	2 1/8	2 1/16
2 x 2 x 1 1/2	46638	5	40	0.801	7/32	2 19/32	2 17/32
** 2 x 2 x 1 1/4	50774	-	50	1.077	-	-	-
** 2 x 1 1/2 x 2	50776	-	35	1.115	-	-	-
** 2 x 1 1/2 x 1 1/2	50778	-	50	0.910	-	-	-
3 x 3 x 2	46644	3	18	1.754	1/8	3 3/8	3 9/16
3 x 3 x 1 1/2	46646	4	32	1.345	1/4	2 11/16	3 5/16
* 3 x 3 x 1 1/4	46648	4	32	1.309	3/8	2 5/16	3 3/16
** 4 x 4 x 3	50800	-	10	3.725	-	-	-
** 4 x 4 x 2	50802	-	10	2.904	-	-	-

WROT 360	60° DWV-Elbow ½ Bend Copper to Copper	CAST			
  <p style="text-align: center;">C x C</p>					
Nominal Size In Inches	Part Number	Box Quantity	Master Pack	Approx. Net Wt.	Dim. A
* 1 1/4	46390	10	100	0.149	43/64
1 1/2	46392	10	100	0.230	13/16
2	46394	5	50	0.366	1 7/64

WROT 311	90° DWV-Sanitary Tee Copper to Copper to Copper	CAST 5811					
  <p style="text-align: center;">C x C x C</p>							
Nominal Size In Inches	Part Number	Box Quantity	Master Pack	Approx. Net Wt.	Dim. A	Dim. B	Dim. C
1 1/4	46560	10	100	0.247	1 3/16	1 3/16	7/8
1 1/2	46562	10	80	0.404	1 1/4	1 1/4	13/16
2	46570	5	40	0.659	1 11/16	1 3/4	1 1/16
3	46580	2	16	1.480	2 1/2	2 3/4	1 5/8
1 1/2 x 1 1/2 x 1 1/4	46564	5	50	0.416	1 5/16	1 3/32	3/4
* 1 1/2 x 1 1/4 x 1 1/2	46566	5	50	0.416	1 5/16	1 7/16	15/16
1 1/2 x 1 1/4 x 1 1/4	46568	5	50	0.416	1 5/16	1 3/32	3/4
2 x 2 x 1 1/2	46572	5	40	0.546	1 1/2	1 5/16	13/16
2 x 2 x 1 1/4	46574	5	40	0.453	1 1/2	1 1/8	3/4
2 x 1 1/2 x 2	46576	5	40	0.670	1 11/16	1 15/16	1 3/8
2 x 1 1/2 x 1 1/2	46578	5	40	0.601	1 1/2	1 5/16	1 3/16
3 x 3 x 2	46582	5	40	1.001	2 1/8	1 7/8	1 1/8
3 x 3 x 1 1/2	46584	5	40	0.955	2 3/16	1 7/16	15/16
3 x 3 x 1 1/4	46586	5	40	0.810	2 1/16	1 3/16	13/16
** 4	48812	-	5	5.380	-	-	-
** 4 x 4 x 3	48814	-	10	3.488	-	-	-
** 4 x 4 x 2	48816	-	12	2.550	-	-	-

WROT 310	45° DWV-Y Copper to Copper to Copper	CAST 5810					
  <p style="text-align: center;">C x C x C</p>							
Nominal Size In Inches	Part Number	Box Quantity	Master Pack	Approx. Net Wt.	Dim. A	Dim. B	Dim. C
1 1/4	46630	5	50	0.347	5/16	1 13/16	1 15/16
1 1/2	46632	10	80	0.475	3/8	2 3/16	2 3/16