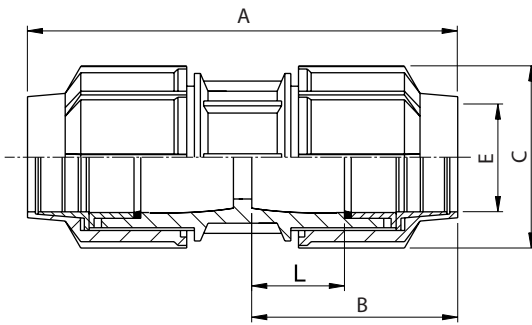


## Plastic Compression Fittings: IPS Coupling



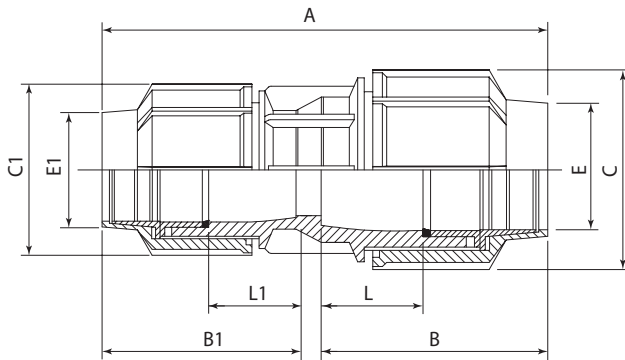
IPS COUPLING DIMENSIONS					
Size	A	B	C	E	L
1/2"	4.49	2.17	1.81	0.89	0.59
3/4"	4.96	2.36	2.13	1.08	0.71
1"	5.16	2.64	2.62	1.42	0.71
1 1/4"	6.89	3.39	3.21	1.77	1.02
1 1/2"	7.68	3.78	3.66	2.11	1.04
2"	9.76	4.80	4.61	2.560	1.63
3"	12.68	6.22	6.30	3.66	2.40

Call for availability of other sizes and dimensions.

### ALPRENE IPS COMPRESSION COUPLINGS

Size	Part Number	Weight (lbs.)	Standard Pack (Bag)	Gross Pack (Box)
1/2"	ALP-44102200	0.15	25	200
3/4"	ALP-44102700	0.24	25	125
1"	ALP-44103400	0.34	25	75
1 1/4"	ALP-44104200	0.82	10	30
1 1/2"	ALP-44104800	1.10	10	20
2"	ALP-44106000	2.19	10	10
3"	ALP-44109000	5.09	1	5

## Plastic Compression Fittings: IPS Reducing Coupling



### REDUCING COUPLING DIMENSIONS

Size	A	B	C	E	L	B1	C1	E1	L1
2" x 1 1/2"	8.50	4.61	4.61	2.56	1.50	3.78	3.66	2.09	1.08
3" x 2"	13.98	7.40	6.30	3.66	3.43	6.30	4.61	2.56	3.23

### ALPRENE IPS COMPRESSION REDUCING COUPLINGS

Size	Part Number	Weight (lbs.)	Standard Pack (Bag)	Gross Pack (Box)
2" x 1 1/2"	ALP-45106048	1.65	5	15
3" x 2"	ALP-45109060	3.94	1	6