

Fig. 152

Screw Concrete Insert

Size Range: $\frac{3}{8}$ " through $\frac{7}{8}$ "

Material: Malleable iron

Finish: Plain

Service: Upper attachment for suspending pipe from a concrete ceiling where no lateral adjustment is required.

Approvals: UL, ULC Listed and FM Approved.

Features:

- Eliminates the necessity of drilling holes in wooden forms.
- Reduced overall height and four slots for nail attachment gives stability to the insert while the concrete is being poured.

Ordering: Specify rod size, figure number and name.

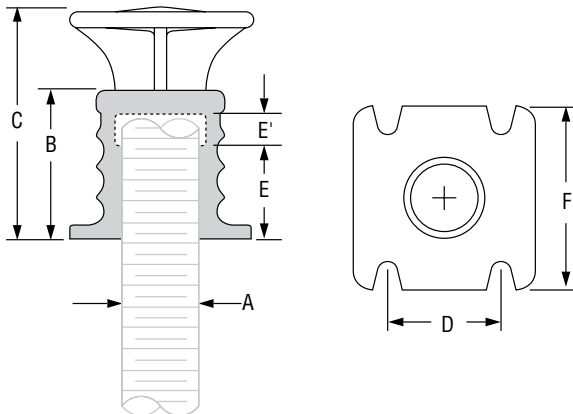


FIG. 152: LOAD (LBS) • WEIGHT (LBS) • DIMENSIONS (IN)

Rod Size A	Max Load ■	Weight	B	C	D	E	E'	F
$\frac{3}{8}$	730	0.31	$1\frac{1}{32}$	$2\frac{1}{4}$	1	$\frac{1}{2}$	$\frac{3}{8}$	$1\frac{1}{8}$
$\frac{1}{2}$	1,130	0.32				$\frac{5}{8}$		
$\frac{5}{8}$	1,260	0.37	$1\frac{7}{32}$	$2\frac{1}{2}$	$1\frac{1}{4}$	$\frac{15}{16}$	$\frac{7}{16}$	2
$\frac{3}{4}$	2,500	0.64	$1\frac{5}{8}$			1	$\frac{3}{8}$	
$\frac{7}{8}$		0.71						

■ Based on insert only. Rating is subject to the condition that the concrete used is of sufficient strength to hold the insert.