
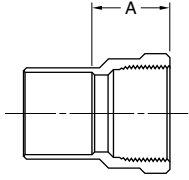

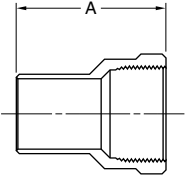

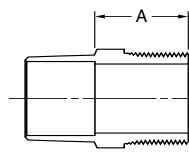


Wrot & Cast Pressure Fittings Adapters

WROT 103		Female Adapter Copper to Female N.P.T.		CAST 4703	
					
C x F					
Nominal Size In Inches	Part Number	Box Quantity	Master Pack	Approx. Net Wt.	Dim. A
1/8	30100	50	1000	0.029	7/16
1/4	30110	50	1000	0.031	15/32
3/8	30120	50	500	0.053	19/32
1/2	30130	50	500	0.093	7/8
3/4	30150	25	250	0.143	23/32
1	30160	20	200	0.226	31/32
1 1/4	30170	10	100	0.369	1 3/32
1 1/2	30180	10	100	0.404	1 5/32
2	30190	5	50	0.667	1 1/4
2 1/2	30200	2	20	1.228	1 1/2
** 3	34252	-	12	2.400	-
** 4	34258	-	12	3.820	-
** 5	34259	-	6	8.250	-
** 6	34263	-	4	12.000	-
1/8 x 1/4	30106	50	1000	0.033	1/2
1/4 x 1/2	30112	50	500	0.078	25/32
1/4 x 3/8	30114	50	1000	0.043	21/32
1/4 x 1/8	30116	50	1000	0.024	11/32
3/8 x 3/4	30122	25	250	0.121	3/4
3/8 x 1/2	30124	50	500	0.082	7/8
3/8 x 1/4	30126	50	1000	0.041	15/32
** 1/2 x 1	34212	25	150	0.300	-
1/2 x 3/4	30134	25	250	0.121	29/32
1/2 x 3/8	30136	50	500	0.046	9/16
1/2 x 1/4	30138	50	500	0.044	15/32
5/8 x 3/4	30142	25	250	0.143	1
5/8 x 1/2	30144	25	250	0.102	3/4
** 3/4 x 1 1/4	34218	10	50	0.515	-
3/4 x 1	30154	20	200	0.218	1 7/32
3/4 x 1/2	30156	25	250	0.085	19/32
** 3/4 x 3/8	34222	25	250	0.170	-
** 1 x 1 1/2	34224	10	40	0.720	-
1 x 1 1/4	30164	10	100	0.299	1 7/32
1 x 3/4	30166	25	250	0.159	43/64
1 x 1/2	30168	10	100	0.239	11/16
** 1 1/4 x 2	34229	5	50	0.980	-
1 1/4 x 1 1/2	30172	10	100	0.431	1 19/64
1 1/4 x 1	30174	10	100	0.238	55/64
** 1 1/4 x 3/4	34233	-	100	0.290	-
1 1/2 x 2	30182	5	50	0.678	1 7/16
1 1/2 x 1 1/4	30184	10	100	0.388	7/8
** 1 1/2 x 1	34238	-	60	0.370	-
2 x 1 1/2	30192	5	50	0.730	1 3/16

WROT 103-2		Female Street Adapter Fitting to Female N.P.T.		CAST 4703-2	
					
		FTG. x F			
Nominal Size In Inches	Part Number	Box Quantity	Master Pack	Approx. Net Wt.	Dim. A
1/4	30224	50	1000	0.030	29/32
3/8	30230	50	1000	0.049	1 1/16
1/2	30236	50	500	0.084	1 3/8
3/4	30242	25	250	0.143	1 11/16
1	30248	20	200	0.214	1 31/32
1 1/4	30254	10	100	0.324	2 5/32
1 1/2	30260	10	100	0.437	2 7/16
2	30266	5	50	0.641	2 19/32
** 2 1/2	34297	-	25	1.740	-
** 3	34298	-	20	2.470	-
1/2 x 3/8	30238	50	500	0.062	1 1/8
1/2 x 1/4	30240	50	500	0.041	59/64
** 3/4 x 1/2	34284	25	225	0.147	-
** 1 x 3/4	34287	25	100	0.414	-
*** 1 x 1/2	34288	25	250	0.153	-

WROT 104		Male Adapter Copper to Male N.P.T.		CAST 4704	
					
		C x M			
Nominal Size In Inches	Part Number	Box Quantity	Master Pack	Approx. Net Wt.	Dim. A
* 1/8	30280	50	1000	0.019	13/32
1/4	30290	50	1000	0.027	15/32
3/8	30300	50	500	0.041	7/8
1/2	30310	50	500	0.064	19/32
3/4	30330	25	250	0.119	13/16
1	30342	20	200	0.170	27/32
1 1/4	30354	10	100	0.317	15/16
1 1/2	30368	10	100	0.462	7/8
2	30378	5	50	0.675	31/32
2 1/2	30388	4	40	1.267	1 21/32
3	30400	2	20	1.520	1 7/32
4	30410	1	16	2.262	1 9/32
** 5	34374	-	5	8.600	-
** 6	34377	-	4	10.730	-
1/8 x 3/8	30282	50	1000	0.040	3/4