



# AUTOMATIC SPRINKLERS GL SERIES CONCEALED PENDENT

## DESCRIPTION AND OPERATION

The Globe GL Series Concealed Pendent Sprinkler offers the ultimate in low profile, aesthetically pleasing appearance. All that is seen at the ceiling is a 3 5/16" diameter ceiling plate color finished to match the specifier's exact requirements. The Sprinkler is available with 1/8" adjustment and a low profile cover plate assembly. The GL Series Concealed Sprinkler may be virtually invisible as it does not interrupt the "smooth flow" of the ceiling. Globe's Concealed Sprinkler utilizes its frangible glass ampule type sprinkler which is located above the ceiling and concealed from view by the ceiling plate. The plate is soldered to the sprinkler special upper support assembly in three places. Upon the application of sufficient heat, the plate falls to the floor exposing the pendent spray sprinkler. At the ampule's rated temperature, the sprinkler opens discharging water onto the floor in its required and approved distribution pattern.

A special spring is attached to the pendent sprinkler deflector that serves to provide a constant tension against the ceiling plate. This feature virtually ensures freedom from environmental vibration problems.

The heart of Globe's GL Series sprinkler proven actuating assembly is a hermetically sealed frangible glass ampule that contains a precisely measured amount of fluid. When heat is absorbed, the liquid within the bulb expands increasing the internal pressure. At the prescribed temperature the internal pressure within the ampule exceeds the strength of the glass causing the glass to shatter. This results in water discharge which is distributed in an approved pattern.

## TECHNICAL DATA

- See reverse side for Approvals and Specifications.
- Temperature Ratings -
  - 135°F (57°C) Sprinkler, 135°F (57°C) Cover Plate;
  - 155°F (68°C) Sprinkler, 135°F (57°C) Cover Plate;
  - 155°F (68°C) Sprinkler, 155°F (68°C) Cover Plate;
  - 175°F (79°C) Sprinkler, 155°F (68°C) Cover Plate;
  - 200°F (93°C) Sprinkler, 155°F (68°C) Cover Plate.
- Water Working Pressure Rating - 175 psi (12 Bars).
- Factory tested hydrostatically to 500 psi (34 Bars).
- Maximum low temperature glass bulb rating is -67°F (-55°C).
- Frame - bronze • Deflector - brass • Screw - brass
- Bulb seat - copper • Spring - nickel alloy • Seal - teflon
- Bulb - glass with glycerin solution, 5mm size.
- Cover Plate - brass
- Upper Escutcheon Assembly - steel



**WHITE  
CONCEALED PENDENT**

## • **SPRINKLER TEMPERATURE RATING/CLASSIFICATION and COLOR CODING**

CLASSIFICATION	AVAILABLE SPRINKLER TEMPERATURES		BULB COLOR	N.F.P.A. MAXIMUM CEILING TEMPERATURE	
ORDINARY	135°F/155°F	57°C/68°C	ORANGE/RED	100°F	38°C
INTERMEDIATE	175°F/200°F	79°C/93°C	YELLOW/GREEN	150°F	66°C

# AUTOMATIC SPRINKLERS GL SERIES CONCEALED PENDENT

## SPECIFICATIONS

NOMINAL "K" FACTOR		THREAD SIZE	LENGTH	FINISHES
2.8	(39 metric)	1/2" NPT	2 1/2" (6.4 cm)	Bright Chrome White Painted *Satin Chrome *Bright Brass *Other Painted Finishes
4.2	(59 metric)	1/2" NPT		
5.6	(80 metric)	1/2" NPT		

NOTE: METRIC CONVERSIONS ARE APPROXIMATE.

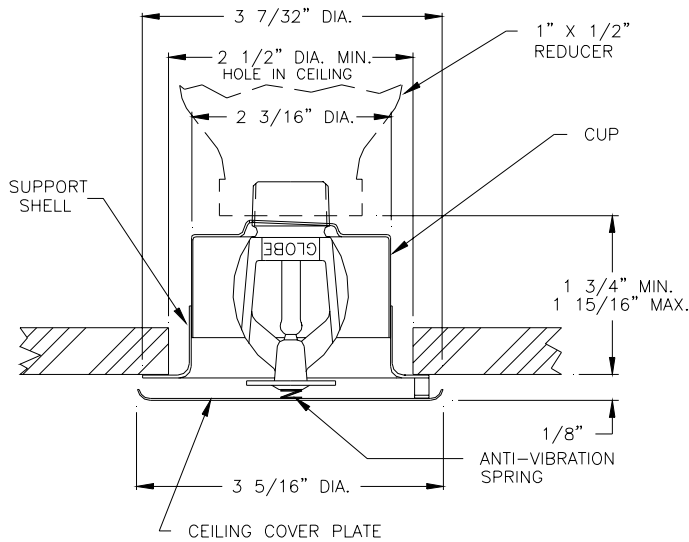
\*FINISHES AVAILABLE ON SPECIAL ORDER. PAINTED PLATES OTHER THAN WHITE REQUIRE CUSTOMER TO FURNISH PAINT.

## APPROVALS

STYLE	SIN MODEL	K FACTOR	135°F (57°C) WITH PLATE 135°F (57°C)	155°F (68°C) WITH PLATE 135°F (57°C)	155°F (68°C) WITH PLATE 155°F (68°C)	175°F (79°C) WITH PLATE 155°F (68°C)	200°F (93°C) WITH PLATE 155°F (68°C)	cULus	FM	LPC	CE	NYC - DOB MEA 101-92-E
CONCEALED PENDENT	GL2854	2.8	X	X	X	X	X	X	---	---	---	X
	GL4254	4.2	X	X	X	X	X	X	---	---	---	X
	GL5654	5.6*	X	X	X	X	X	X	X	X	X	X

\*LISTED FOR ALL HAZARDS.

## CROSS SECTION



1/8" ADJUSTMENT

## ORDERING INFORMATION SPECIFY

- Quantity • Model Number • Style
- Orifice • Thread Sizes • Temperature
- Finishes desired
- Quantity - Concealed Wrenches - P/N 325391
- Quantity - Protective Caps - P/N 327119

## GLOBE® PRODUCT WARRANTY

Globe agrees to repair or replace any of its own manufactured products found to be defective in material or workmanship for a period of one year from date of shipment.

For specific details of our warranty please refer to Price List Terms and Conditions of Sale (Our Price List).



4077 AIRPARK DRIVE, STANDISH, MICHIGAN 48658

989-846-4583

FAX 989-846-9231

1-800-248-0278

www.globesprinkler.com