



QUICK RESPONSE

"THE INCH"

**MODEL GL5606 ONE INCH
ADJUSTABLE CONCEALED
PENDENT WITH COVER PLATE
TO MEET IBC-ASCE/SEI 7 CODES
FOR SEISMIC AREAS C, D & E**

DESCRIPTION AND OPERATION

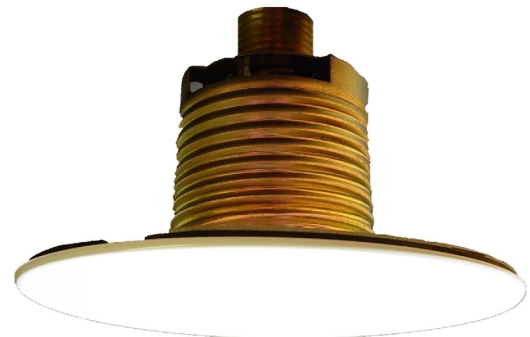
The Globe Quick Response GL5606 Adjustable Concealed Pendent Sprinkler has a low profile, aesthetically pleasing design. It provides sprinkler operation approximately six times faster than ordinary sprinklers and can be installed wherever standard concealed spray sprinklers are specified, when allowed by the applicable standards. It offers the additional feature of greatly increased safety to life and should be used advisedly and under the direction of approving authorities having jurisdiction. The sprinkler is available with a nominal 1" of adjustment and a low profile cover plate assembly. **The 4 1/2" diameter cover plate allows for 1" clearance around the sprinkler body, and meets the IBC-ASCE/SEI 7 requirements for the use in seismic design categories C, D & E.** The GL Series Concealed Sprinkler may be virtually invisible, as it does not interrupt the "smooth flow" of the ceiling. Globe's Concealed Sprinkler utilizes its 3mm frangible glass ampule which is located above the ceiling and concealed from view by the ceiling plate.

The provided protective cap needs to be removed in order to install the sprinkler with the proper wrench. The protective cap must be replaced on the sprinkler until the time the cover plate is to be installed. The "push on - screw off" designed cover plate is easily installed and with a nominal 1" inch of adjustment makes it easier to get a proper fit at the ceiling.

Operation of the sprinkler occurs when heat build-up causes the solder holding the cover plate to the support shell to melt, allowing the cover plate to fall clear. Continued heat build-up causes the 3mm glass bulb to burst, allowing the deflector to drop down and distribute water in an approved pattern to extinguish or control the fire.

TECHNICAL DATA

- See reverse side for Approval and Specifications.
- Temperature Ratings-
 - 135°F (57°C) Sprinkler, 135°F (57°C) Cover Plate
 - 155°F (68°C) Sprinkler, 135°F (57°C) Cover Plate
 - 155°F (68°C) Sprinkler, 155°F (68°C) Cover Plate
 - 175°F (79°C) Sprinkler, 155°F (68°C) Cover Plate
 - 200°F (93°C) Sprinkler, 155°F (68°C) Cover Plate
- Water Working Pressure Rating - 175 psi (12 Bars)
- Factory tested hydrostatically to 500 psi (34 Bars)
- Maximum low temperature glass bulb rating is -67°F (-55°C)
- Frame - bronze • Deflector - brass • Screw - brass
- Bulb Seat - brass • Spring - nickel alloy • Seal - teflon
- Bulb - glass with alcohol based solution, 3mm size
- Drop Pin - stainless steel • Cover Plate - brass
- Upper Escutcheon Assembly - plated steel
- **NOTE: Globe's wrench P/N 332765 must be used to install this sprinkler.**
- **SPRINKLER TEMPERATURE RATING/CLASSIFICATION and COLOR CODING**



QUICK RESPONSE
4 1/2" diameter plate
WHITE
ADJUSTABLE
CONCEALED PENDENT

CLASSIFICATION	AVAILABLE SPRINKLER TEMPERATURES		BULB COLOR	N.F.P.A. MAXIMUM TEMPERATURE	CEILING
ORDINARY	135°F/155°F	57°C/68°C	ORANGE/RED	100°F	38°C
INTERMEDIATE	175°F/200°F	79°C/93°C	YELLOW/GREEN	150°F	66°C

QUICK RESPONSE
GL5606 ONE INCH ADJUSTABLE
CONCEALED PENDENT WITH
COVER PLATE TO MEET
IBC-ASCE/SEI 7 CODES FOR
SEISMIC AREAS C, D & E

SPECIFICATIONS

NOMINAL "K" FACTOR		THREAD SIZE	LENGTH	FINISHES *
5.6	(80 metric)	1/2" NPT	2 1/2" (6.4 cm)	Bright Chrome White Painted

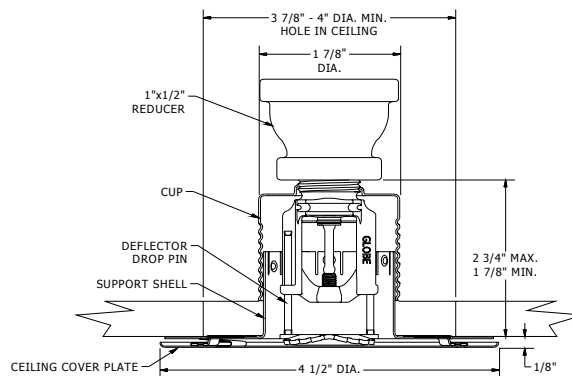
NOTE: METRIC CONVERSIONS ARE APPROXIMATE.

*OTHER FINISHES AVAILABLE ON SPECIAL ORDER.

APPROVALS

STYLE	SIN MODEL	K FACTOR	135°F (57°C) with plate 135°F (57°C)	155°F (68°C) with plate 135°F (57°C)	155°F (68°C) with plate 155°F (68°C)	175°F (79°C) with plate 155°F (68°C)	200°F (93°C) with plate 155°F (68°C)	cULus
Adjustable Concealed Pendent	GL5606	5.6	X	X	X	X	X	X

CROSS SECTION



CEILING PLATES	WHITE 135°F PART #	WHITE 155°F PART #	CHROME 135°F PART #	CHROME 155°F PART #
	332822	332828	332821	332827

ORDERING INFORMATION

SPECIFY

- Quantity • Model Number • Style
- Orifice • Thread Sizes • Temperature
- Finishes desired
- Quantity - Adjustable Concealed Wrenches - P/N 332765

GLOBE® PRODUCT WARRANTY

Globe agrees to repair or replace any of its own manufactured products found to be defective in material or workmanship for a period of one year from date of shipment.

For specific details of our warranty, please refer to Price List Terms and Conditions of Sale (Our Price List).



APRIL 2009

PRINTED U.S.A.

4077 AIRPARK DRIVE, STANDISH, MICHIGAN 48658

989-846-4583

1-800-248-0278

FAX 989-846-9231

www.globesprinkler.com

BULLETIN GL5606-EQ REV#2