



DRY PIPE VALVE MODEL A** FLANGE/FLANGE 3" SIZE

DESCRIPTION AND OPERATION

The Globe Model A Dry Pipe Valve is the vital control unit in dry pipe automatic sprinkler systems, where supervisory air under pressure is used to prevent freezing that would certainly occur with ordinary wet pipe systems. The Dry Pipe Valve is the connecting link between the source of water supply and the automatic sprinklers, and must react promptly when it receives a signal from the protected area that a fire condition has developed and water is, therefore, quickly needed. This signal is generated by the opening of one or more sprinklers, which causes a quick drop in system supervisory air pressure resulting in a loss of the differential force ratio.

The single clapper assembly design in the Globe Model A Dry Pipe Valve provides a differential force ratio of approximately 6:1 between system air pressure and water supply pressure. Once the valve has operated, a special latch holds the clapper open until manually reset by qualified personnel.

The body of the Dry Pipe Valve is constructed of high tensile strength cast iron, having considerable ductility to reduce damage in field handling.

All interior operating parts are machined from highly corrosive-resistant copper alloys, each having high strength and good wear resistance.

Rubber parts are of selective materials that have good abrasive resistance and long life expectancy in terms of resiliency.



MODEL A
DRY PIPE VALVE**

** Formerly known as Model D

APPROVALS

- UL Listed
- FM Approved

TECHNICAL DATA

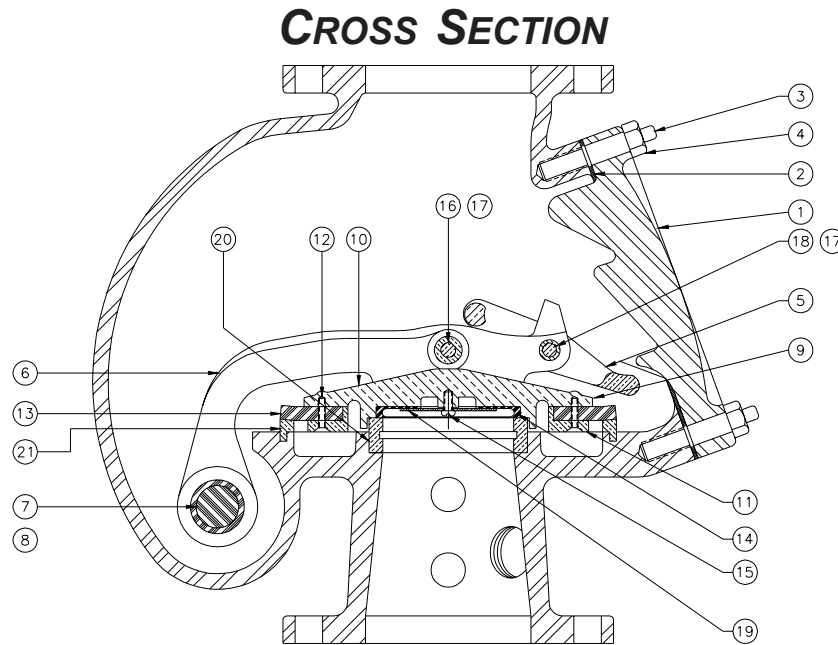
- Water Working Pressure Rating - 175 psi (12 bars).
- Factory tested hydrostatically to 350 psi (24 bars).

WATER PRESSURE P.S.I.	AIR PRESSURE REQUIREMENTS P.S.I.	
	MINIMUM	MAXIMUM
30	15	20
50	20	25
75	25	30
100	30	35
125	35	40
150	40	45
175	45	50

PHYSICAL DATA

SIZE	3"
Overall Length	14 ½"
Center of Valve to Front	11"
Center of Valve to Back	9"
Center of Valve to Right	17"
Center of Valve to Left	6"
Weight of Valve	106 lbs.

DRY PIPE VALVE MODEL A** FLANGE/FLANGE 3" SIZE



LEFT SIDEVIEW

ITEM	DESCRIPTION	MAT'L	P/N	ITEM	DESCRIPTION	MAT'L	P/N
1	Cover Plate	Cast Iron	318501	12	Machine Screw	Bronze	318512
2	Cover Plate Gasket	Rubber	318502*	13	Air Seat Gasket	Rubber	318513*
3	Cover Plate Stud	Steel	318503	14	Water Seat Gasket	Rubber	318514*
4	Nut	Steel	318504	15	Machine Screw	Brass	318515
5	Latch	Cast Iron	318505	16	Clapper Hinge Pin	Brass	318516
6	Clapper Arm Assembly	---	318506	17	Cotter Pin	Brass	318517
7	Clapper Arm Hinge Pin	Monel	318507	18	Latch Pin	Brass	318518
8	Hinge Pin Plug	Brass	318508	19	Retaining Washer	Brass	318526
9	Clapper Assembly	---	318509	20	Seat Ring	Bronze	318522
10	Clapper	Bronze	318510	21	Air Seat	Bronze	318523
11	Clapper Ring	Bronze	318511				

Refer to Globe's Dry Pipe Valve Installation and Maintenance Guide (Bulletin D.P.V.I.M.) for trim set-up, installation instructions, and maintenance.

* Available as a kit only - P/N 318519

ORDERING INFORMATION

SPECIFY

- Quantity • Model Number • Size
- Factory Trimmed and Leak Tested Hydrostatically or Loose Trim for Customer Installation.

GLOBE® PRODUCT WARRANTY

Globe agrees to repair or replace any of its own manufactured products found to be defective in material or workmanship for a period of one year from date of shipment.

For specific details of our warranty please refer to Price List Terms and Conditions of Sale (Our Price List).



4077 AIRPARK DRIVE, STANDISH, MICHIGAN 48658

989-846-4583

1-800-248-0278

FAX 989-846-9231

www.globesprinkler.com