
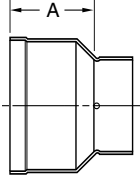

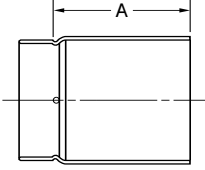

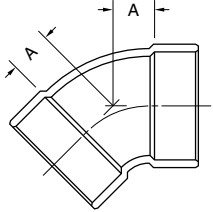



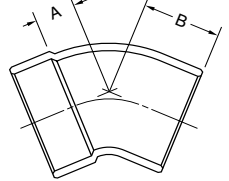
# Wrot & Cast Drainage Fittings Adapters & Elbows

WROT <b>305</b>		<b>DWV-Soil Pipe Adapter-cont.</b>			CAST	
Copper to Soil Pipe						
Nominal Size In Inches	Part Number	Box Quantity	Master Pack	Approx. Net Wt.	Dim. A	
1 1/2 x 3	46052	-	10	1.426	4 1/8	
1 1/2 x 2	46054	10	80	0.676	3 23/32	
2 x 3	46060	-	10	1.509	4 3/16	
3 x 4	46064	2	12	2.491	4 15/32	

WROT <b>305-NH</b>		<b>DWV-No-Hub Soil Pipe Adapter</b>			CAST <b>5805-NH</b>	
Copper to No-Hub						
(Service weight) For Use With Neoprene Gasket						
						
C x NH		A				
Nominal Size In Inches	Part Number	Box Quantity	Master Pack	Approx. Net Wt.	Dim. A	
2	46086	5	50	0.276	1 3/8	
**2	47284	-	50	0.430	-	
3	46088	5	40	0.588	1 13/32	
**3	47290	-	35	0.690	-	
4	46090	2	20	1.044	1 13/32	
**4	47294	-	50	1.140	-	
1 1/4 x 2	46082	5	50	0.313	1 53/64	
1 1/2 x 2	46084	5	50	0.298	1 37/64	
**1 1/2 x 2	47282	-	50	0.450	-	

WROT <b>305-P</b>		<b>DWV-Soil Pipe Adapter Plain End</b>			CAST	
Copper to Spigot						
(Service Weight) For Use With Neoprene Gasket						
						
C x Spigot		A				
Nominal Size In Inches	Part Number	Box Quantity	Master Pack	Approx. Net Wt.	Dim. A	
2	46076	5	50	0.442	2 1/2	

WROT <b>306</b>		<b>45° DWV-Elbow</b>			CAST	
¾ Bend Copper to Copper						
						
C x C		A				
Nominal Size In Inches	Part Number	Box Quantity	Master Pack	Approx. Net Wt.	Dim. A	
1 1/4	46352	10	100	0.121	31/64	
1 1/2	46354	10	100	0.192	19/32	
2	46356	5	50	0.307	51/64	
3	46358	2	20	0.630	1 3/16	
4	46360	1	16	1.500	1 37/64	

WROT <b>306-2</b>		<b>45° DWV-Street Elbow</b>			CAST	
¾ Bend Fitting to Copper						
						
FTG. x C		A, B				
Nominal Size In Inches	Part Number	Box Quantity	Master Pack	Approx. Net Wt.	Dim. A	Dim. B
1 1/4	46370	10	100	0.132	31/64	1 3/64
1 1/2	46372	10	100	0.192	19/32	1 7/32
2	46374	5	50	0.316	51/64	1 31/64
3	46376	2	20	0.652	1 3/16	2
*4	46378	1	16	1.470	1 37/64	2 41/64