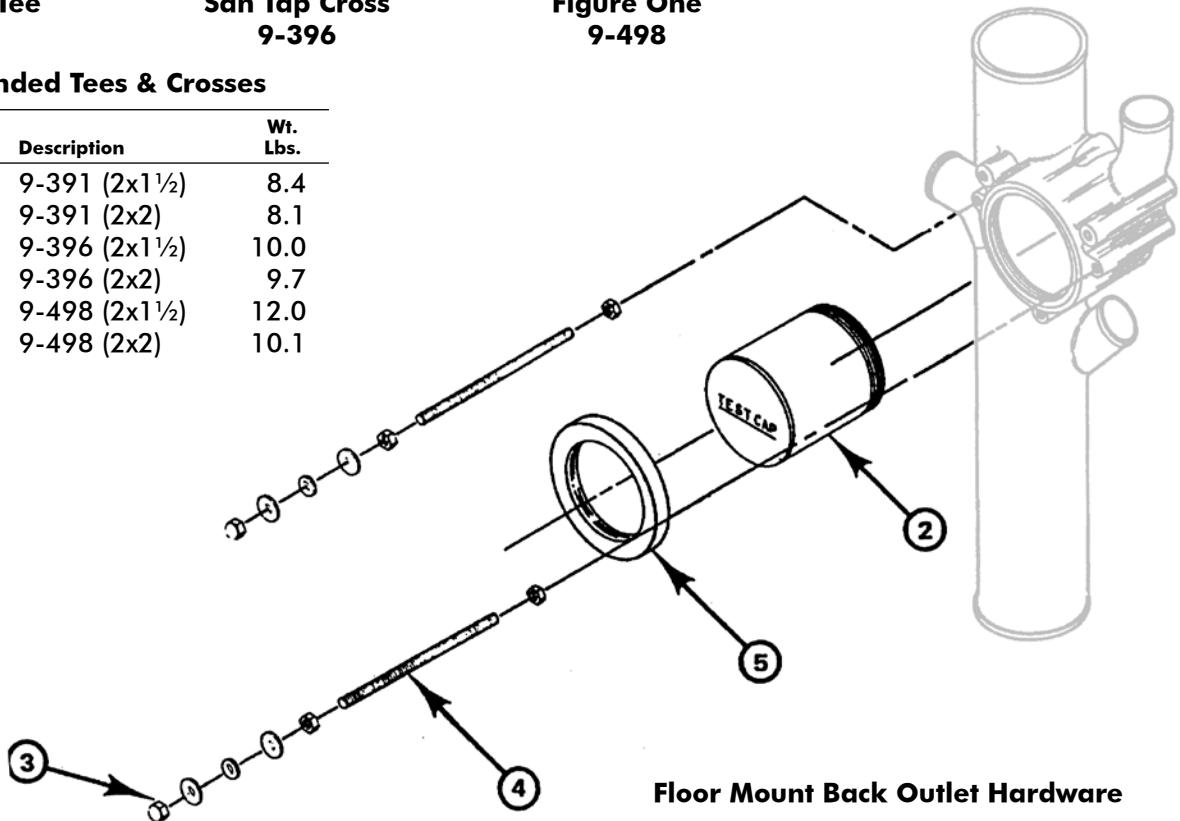


Fitting **NOT** furnished, shown for position only.

### Extended Tees & Crosses

UPCode 670610	Description	Wt. Lbs.
019305	9-391 (2x1½)	8.4
019312	9-391 (2x2)	8.1
019329	9-396 (2x1½)	10.0
019336	9-396 (2x2)	9.7
019343	9-498 (2x1½)	12.0
019350	9-498 (2x2)	10.1



### Floor Mount Back Outlet Hardware

UPCode 670610	Description	Wt. Lbs.
376033	FMBO Hardware Kit	3.2

### 4FA Finish Hardware

- (1) GI-MB Neo Sponge Bowl Gasket
- (2) Chrome Plated Cap Nut
- (2) 7/16" I.D.x1" O.D. Flat Washer
- (2) 7/16" I.D.x1" O.D. Fiber Washer
- (2) 7/16" I.D.x1" O.D. Chrome Plated Washer
- (4) 3/8"-16 Hex Nut

### Composed of:

Dwg. No.	Quantity	Description
2	(1)	300 C-11 Plastic Nipple
3, 5	(1)	4FA Finish Hardware Bag
4	(2)	R31, 3/8"-16 NC2x14" Lg. Thd. Rod
	(1)	LD4 Wadetite Sealent