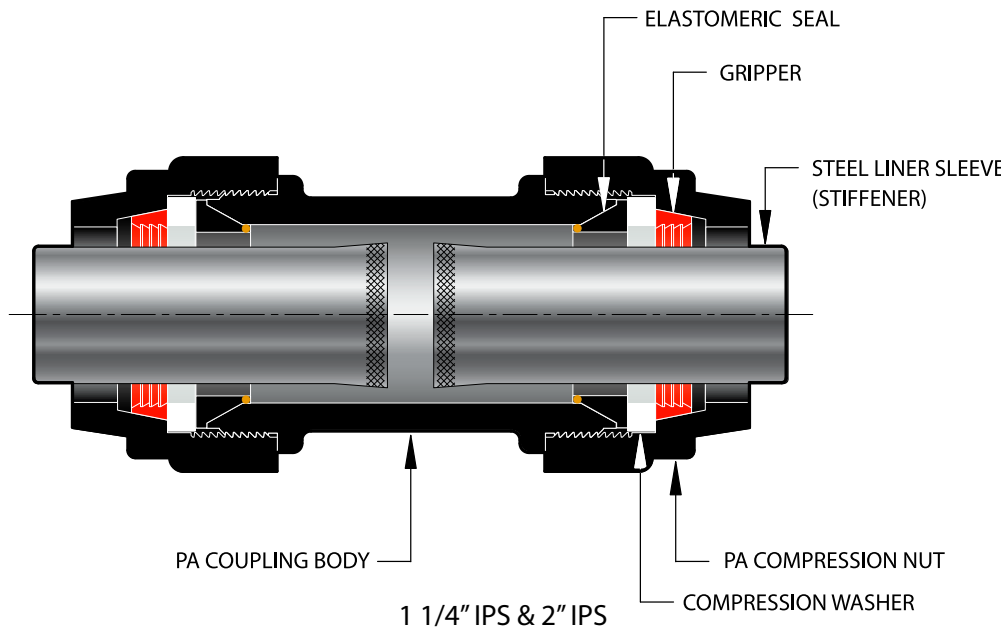
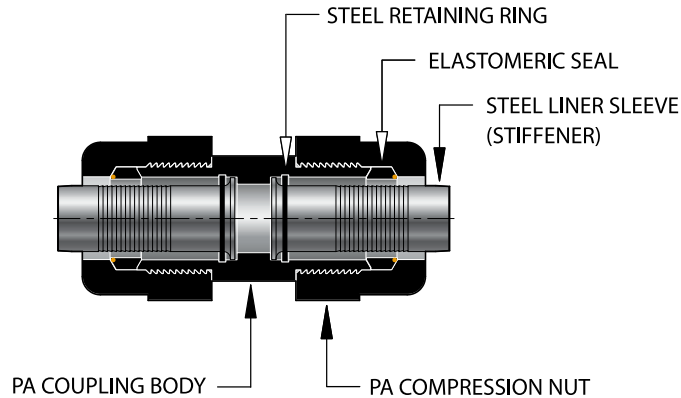




PA COMPRESSION FITTINGS

PA COMPRESSION FITTINGS



- **QUICKLY AND EASILY INSTALLED**—because it's pre-assembled. Just insert tubing and tighten compression nut (except for 1 1/4" & 2" IPS, see instructions on shipping bag).
- **PA COMPRESSION FITTINGS**—can be used on a variety of polyethylene fuel gas piping. Visual indicators make repeatable and successful installation a cinch. The installation is simple and the same procedure is used for 3408/4710, 2406, 2306 or 3306 PE.
- **DESIGNED FOR MAXIMUM PULL-OUT STRENGTH**—tensile strength exceeds requirements of D.O.T., Title 49 of the Code of Federal Regulations, Part 192.283 (b)
- **PERMANENT LEAK-PROOF JOINT**
- **ECONOMICAL AND EXTREMELY VERSATILE**
- **GASKET FULLY RETAINED TO PREVENT COLD FLOW**
- Reference Instruction Sheet 34-4834-92 for 1/2" CTS through 1" IPS and 34-4834-32 for 1 1/4" & 2" IPS couplings for proper installation.

PA COMPRESSION FITTINGS



PA COMPRESSION FITTINGS Full Couplings

PE SIZE	WALL	PART NUMBER
1/2" CTS (5/8" OD)	.090	5657-52-1004-00‡
	.062	5657-52-1004-AA
1" CTS (1 1/8" OD)	.099/.101	5657-52-1008-00
	.090	5657-52-1008-AA
3/4" IPS	SDR-11 (.095)	5657-52-1013-00
1" IPS	SDR-11 (.119)	5657-52-1014-00
1 1/4" IPS	SDR-10 (.166)	5657-52-1015-00
	SDR-11 (.151)	5657-52-1015-AA
2" IPS	SDR-11 (.216)	5657-52-1017-00



- For sizes not listed, contact Continental Industries.
- PA Compression fittings rated at 125 psig.
- For PA Couplings with EFV's, contact Continental Industries.
- ‡ = IAPMO/UPC Listed

PA COMPRESSION FITTINGS End Caps

PE SIZE	WALL	PART NUMBER
1/2" CTS (5/8" OD)	.090	5657-53-1004-00
	.062	5657-53-1004-0A
1" CTS (1 1/8" OD)	.099/.101	5657-53-1008-00
	.090	5657-53-1008-0A
3/4" IPS	SDR-11 (.095)	5657-53-1013-00
1" IPS	SDR-11 (.119)	5657-53-1014-00
1 1/4" IPS	SDR-10 (.166)	5657-53-1015-00
	SDR-11 (.151)	5657-53-1015-0A
2" IPS	SDR-11 (.216)	5657-53-1017-00



- For sizes not listed, contact Continental Industries.
- PA Compression fittings rated at 125 psig.



For Fittings with EFV's,
Contact Continental Industries

PA Material

- ▶ ASTM D 2513 listed material
- ▶ Elevated temperature performance
- ▶ Superior chemical resistance
- ▶ Much stronger than P.E.



PA COMPRESSION FITTINGS

PA COMPRESSION FITTINGS 3-Way Tees

PE SIZE	WALL	PART NUMBER
1/2" CTS (5/8" OD)	.090	5657-50-1004-00
	.062	5657-50-1004-AA
1" CTS (1 1/8" OD)	.099/.101	5657-50-1008-00
	.090	5657-50-1008-AA
3/4" IPS	SDR-11 (.095)	5657-50-1013-00

- For sizes not listed, contact Continental Industries.
- PA Compression fittings rated at 125 psig.



PA COMPRESSION FITTINGS 90° Elbows

PE SIZE	WALL	PART NUMBER
1/2" CTS (5/8" OD)	.090	5657-51-1004-00
	.062	5657-51-1004-AA
1" CTS (1 1/8" OD)	.099/.101	3259-51-1008-00
	.090	5657-51-1008-AA
3/4" IPS	SDR-11 (.095)	5657-51-1013-00

- For sizes not listed, contact Continental Industries.
- PA Compression fittings rated at 125 psig.



PA COMPRESSION FITTINGS Reducer Couplings

PE SIZE	WALL	PE SIZE	WALL	PART NUMBER	
1/2" CTS (5/8" OD)	.090	1/2" CTS (5/8" OD)	.062	5657-54-0404-0A	
		1/4" CTS (3/8" OD)	.062	5657-54-0402-00	
1" CTS (1 1/8" OD)	.099/.101	3/4" IPS	SDR-11 (.095)	5657-54-0813-00	
				5657-54-0813-A0	
	.090	1/2" CTS (5/8" OD)	.062	5657-54-0804-0A	
				5657-54-0804-AA	
				5657-54-0804-00	
				5657-54-0804-A0	
3/4" IPS	SDR-11 (.095)	1/2" CTS (5/8" OD)	.090	5657-54-1304-00	
				5657-54-1304-0A	
1" IPS	SDR-11 (.119)	1" CTS (1 1/8" OD)	.099/.101	5657-54-1408-00	
				5657-54-1408-0A	
		3/4" IPS	SDR-11 (.095)	.090	5657-54-1413-00
					5657-54-1404-00
		1/2" CTS	.062	5657-54-1404-0A	
1 1/4" IPS	SDR-10 (.166)	1 1/4" IPS		SDR-11 (.151)	5657-54-1015-0A

- For sizes not listed, contact Continental Industries.
- PA Compression fittings rated at 125 psig.

