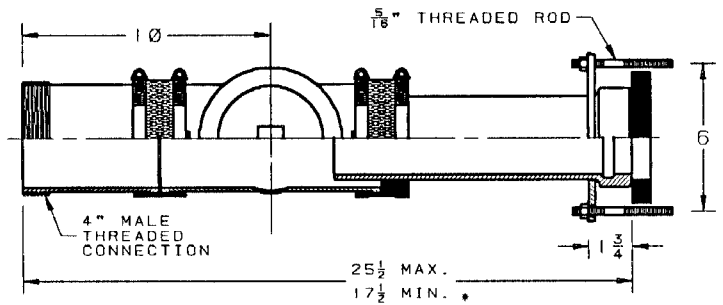
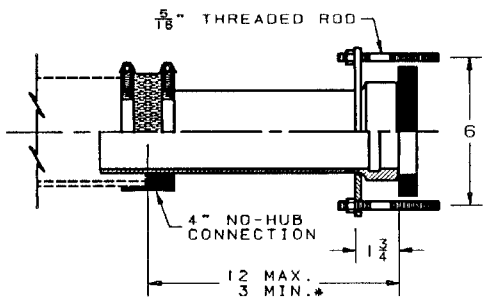


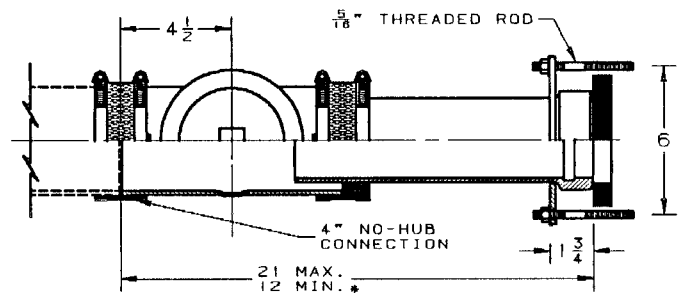
9-300-T
Threaded Connection



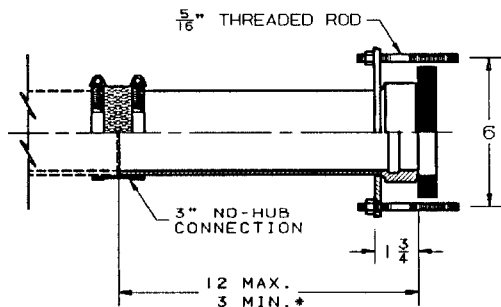
9-300-C4"
Threaded Connection with Cleanout



9-300-NH-4"
No-Hub Connection

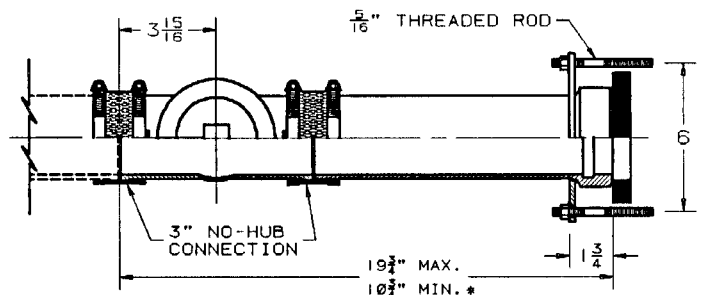


9-300-CN-4"
No-Hub Connection with Cleanout



9-300-NH-3"
No-Hub Connection

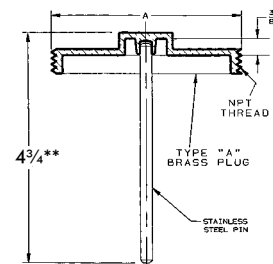
* Length under max may require field cut



9-300-CN-3"
No-Hub Connection with Cleanout

UPCode 670610	Description	Wt. Lbs.
019824	9-300-T	13.0
019848	9-300-C-4"	23.5
019817	9-300-NH-4"	8.5
376040	9-300-CN-4"	19.0
019855	9-300-NH-3"	8.5
019831	9-300-CN-3"	19.0

Pinned Cleanout Plug



** Pin length will require field cut when used with less than 4" waterway.

UPCode 670610	Size A	Wt. Lbs.
243090	2 1/2"	1.0
300229	3"	0.7
244196	3 1/2"	1.0
243106	4"	0.9