

Fig. 81 - Epoxy Copper Tec™ Tubing Clevis Hanger

Fig. 81PVC - PVC Coated Copper Tec™ Tubing Clevis Hanger

Size Range — Size 1/2" thru 6" copper tubing

Material — Carbon Steel

Function — Recommended for the suspension of non-insulated copper tubing line.

Approvals — Conforms to Federal Specification WW-H-171E, Type 12 and Manufacturers Standardization Society SP-69 Type 1.

Finish — Epoxy Copper Tec™ Plated

Note — Available with plastic coating, specify by ordering Fig. 81PVC

Order By — Figure number and nominal tubing size

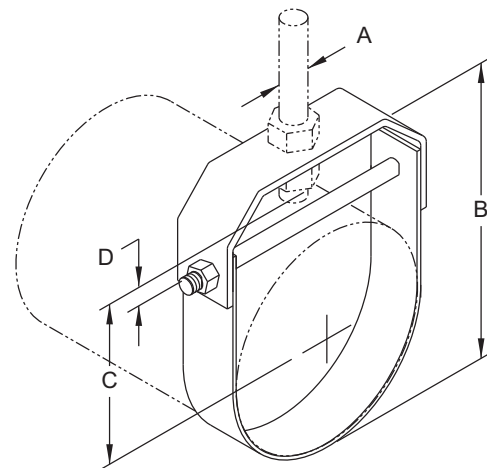


Fig. 81

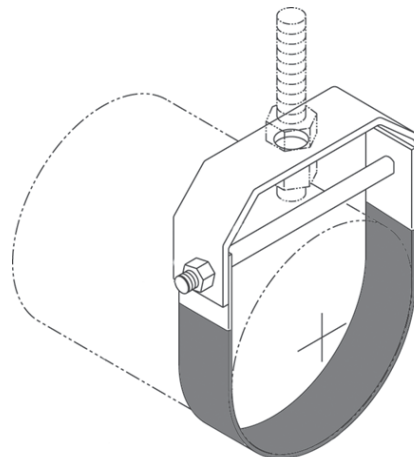


Fig. 81PVC

Dimensions • Weights

Copper Tube Size	A	B	C	D	Max. Rec. Load Lbs.	Approx. Wt./100
1/2	3/8	2 5/8	1 11/16	5/8	150	27
3/4	3/8	2 5/8	1 11/16	5/8	250	29
1	3/8	2 7/8	1 13/16	3/4	250	32
1 1/4	3/8	3	1 7/8	13/16	250	34
1 1/2	3/8	3 5/8	2 5/16	1 1/16	250	36
2	3/8	4 1/2	3	1 5/8	250	44
2 1/2	1/2	6	3 1/4	2 1/8	350	96
3	1/2	6 1/8	3 7/8	2	350	105
3 1/2	1/2	6 5/8	4 1/4	1 13/16	350	110
4	1/2	7 1/16	4 3/8	1 9/16	400	151
5	1/2	8 1/2	5 9/16	1 7/8	550	220
6	5/8	9 3/4	5 9/16	1 11/16	550	265