

SINCE

1864



**Ball Valves**

**Jenkins Valves**

254 Henry Street  
Brantford, Ontario N3T 5T7  
Tel: 519-759-3911  
Tel: 800-563-6302  
Fax: 519-759-7970  
[www.craneenergy.com](http://www.craneenergy.com)



**Energy Flow Solutions**

A Crane Co. Company



**General Index**

Jenkins Ball Valve Product Line ..... 3  
General Features and Options ..... 4  
Brass Ball Valves ..... 5, 6  
Pressure/Temperature Ratings ..... 7  
Optional Accessories ..... 7

**Figure Number Index**

| <b>Fig No.</b> | <b>Page</b> |
|----------------|-------------|
| 201J.....      | 5           |
| 201SJ.....     | 5           |
| 202J.....      | 6           |
| 202SJ.....     | 6           |





# Ball Valves

## Products

### Jenkins Ball Valve Product Line

|        |       |   |
|--------|-------|---|
| Brass: | 201J  | Threaded Ends<br>Size Range: ¼" - 3"<br>Full Port<br>600 CWP/150 SWP  |
|        | 202J  | C x C Solder Joint Ends<br>Size Range: ½" - 2" Full Port<br>2 ½" - 3" Regular Port<br>600 CWP                         |
|        | 201SJ | Threaded Ends<br>Size Range: ¼" - 3"<br>Stainless Steel Trim<br>Full Port<br>600 CWP/150 SWP                          |
|        | 202SJ | C x C Solder Joint Ends<br>Size Range: ½" - 2" Full Port<br>2 ½" - 3" Regular Port<br>Stainless Steel Trim<br>600 CWP |

## General Features and Options

Jenkins ball valves are general purpose two-piece end entry ball valves that covers the full spectrum of industrial and commercial applications.

- **Blow-Out Proof Stem**

The internally loaded stem has an integral thrust collar which prevents stem removal while the valve is installed.

- **Adjustable Packing**

The packing may be tightened to compensate for wear throughout the life of the valve.

- **Lever Handle**

Heavy duty lever handles are standard for easy operation. All handles include a vinyl insulator sleeve for protection from high or low temperatures.

- **Options Include**

Memory Stop  
Extension Stems  
Tee Handles  
Stainless Steel Lever Handles

- **CGA Approved**

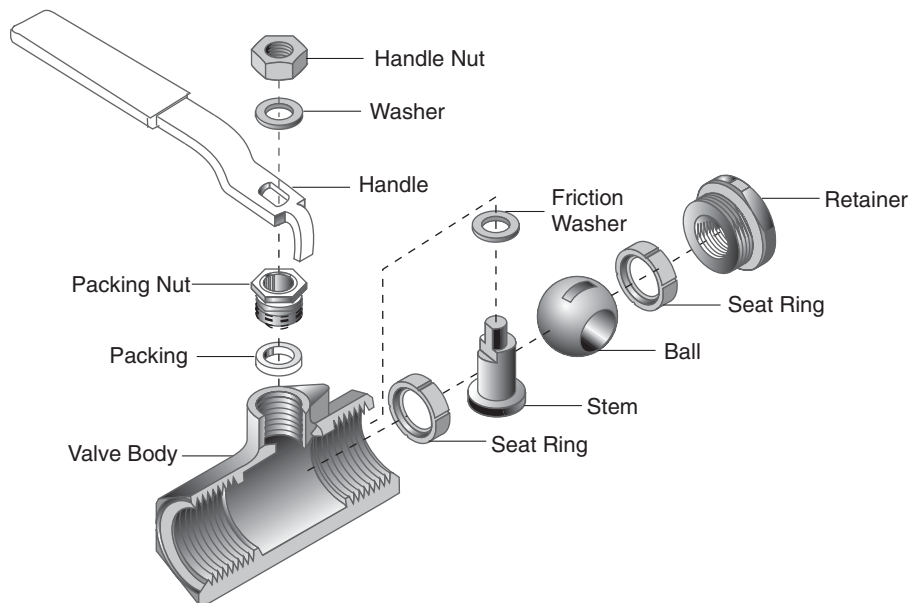
Jenkins threaded ends ball valves are Canadian Gas Association Approved.

- **AGA Approved**

Jenkins threaded end ball valves are American Gas Association Approved.

- **UL/FM Approved**

Figures 201J & 201SJ, size ¼" – 2" are Underwriter's Laboratory/Factory Mutual Approved.



### 600 CWP • Full Port • Threaded Ends

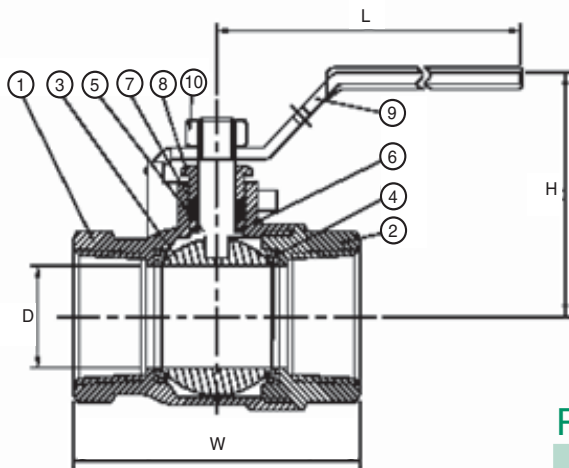


Figure 201J  
Figure 201SJ

**Size Range:**  
¼ through 4 inches

**Working Pressures:**  
150psi Steam Basic Rating  
600psi Cold Working Pressure (¼" - 2")  
400psi Cold Working Pressure (2 ½" - 4")

#### Features

- Steel Lever Handle Standard
- Blowout-Proof Stem
- Solid Ball Design (All Sizes)
- MSS SP-110
- 201SJ has Stainless Ball & Stem

#### Approvals

- CSA (CGA/AGA) Approved (½" - 2")
  - CGA 3.16-M88 - 175G
  - CAN1-9.1 M97
  - CGA CR91-002
  - ANS Z21.15
  - ASME B16.33
  - IAS-US 3-88
- UL Approved (¼" - 2")
  - VQGU
  - MHKZ
  - YSDT
  - YRPV
  - YRBX
  - YQNZ
- FM Approved (¼" - 2")
  - FM-1140
- NSF61 Approved (Pending)

#### Principal Parts & Materials

| Item | Part          | Material                                   | ASTM                       |
|------|---------------|--|----------------------------|
| 1    | Body          | Forged Brass<br>Cast Brass                 | B124-C37700<br>B124-C85700 |
| 2    | End Cap       | Forged Brass<br>Cast Brass                 | B124-C37700<br>B124-C85700 |
| 3    | Ball          | Brass (Chrome Plated)<br>Stainless (201SJ) | B124-C37700<br>--          |
| 4    | Seat          | PTFE                                       | --                         |
| 5    | Stem          | Brass<br>Stainless (201SJ)                 | B16-C36000<br>--           |
| 6    | Thrust Washer | PTFE                                       | --                         |
| 7    | Stem Packing  | PTFE                                       | --                         |
| 8    | Gland Nut     | Brass                                      | B16-C36000                 |
| 9    | Handle        | Steel                                      |                            |
| 10   | Nut           | Steel                                      |                            |

#### Dimensions and Weights

Inches (millimeters) - pounds (kilograms)

|     | ¼             | ⅜             | ½              | ¾              | 1              | 1 ¼            | 1 ½            | 2              | 2 ½             | 3               | 4               |
|-----|---------------|---------------|----------------|----------------|----------------|----------------|----------------|----------------|-----------------|-----------------|-----------------|
|     | (10)          | (12)          | (15)           | (20)           | (25)           | (32)           | (40)           | (50)           | (65)            | (80)            | (100)           |
| W   | 1.81<br>(46)  | 1.81<br>(46)  | 2.13<br>(54)   | 2.40<br>(61)   | 2.95<br>(75)   | 3.66<br>(93)   | 3.66<br>(93)   | 4.21<br>(107)  | 5.38<br>(136.6) | 6.06<br>(154)   | 7.38<br>(187.4) |
| H   | 1.34<br>(34)  | 1.34<br>(34)  | 1.42<br>(36)   | 1.77<br>(44.9) | 2.27<br>(57.6) | 2.43<br>(61.6) | 2.94<br>(74.8) | 3.28<br>(83.4) | 4.69<br>(119)   | 5.02<br>(127.4) | 5.79<br>(147)   |
| L   | 3.23<br>(82)  | 3.14<br>(82)  | 3.23<br>(82)   | 3.94<br>(100)  | 4.72<br>(120)  | 4.72<br>(120)  | 6.30<br>(160)  | 6.30<br>(160)  | 8.66<br>(220)   | 8.66<br>(220)   | 9.84<br>(250)   |
| D   | 0.37<br>(9.5) | 0.37<br>(9.5) | 0.50<br>(12.7) | 0.75<br>(19.1) | 1.0<br>(25)    | 1.25<br>(31)   | 1.50<br>(38)   | 2.0<br>(50)    | 2.5<br>(64)     | 3.0<br>(75)     | 4.0<br>(99)     |
| WTS | 0.60<br>(.27) | 0.60<br>(.27) | 0.70<br>(0.32) | 1.10<br>(0.50) | 1.80<br>(0.82) | 2.60<br>(1.18) | 3.90<br>(1.77) | 6.20<br>(2.81) | 10.30<br>(4.67) | 15.10<br>(6.85) | 15.10<br>(6.85) |

## 600 CWP • Solder Joint Ends

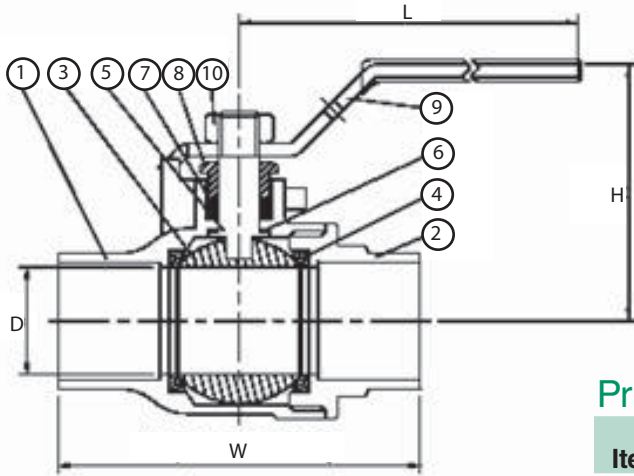


Figure 202J  
Figure 202SJ

### Features

- Steel Lever Handle Standard
- Blowout-Proof Stem
- Solid Ball Design (All Sizes)
- MSS SP-110
- 202SJ has Stainless Ball & Stem

### Size Range:

½ through 3 inches

### Working Pressures:

600psi Cold Working Pressure (½" - 2")

400psi Cold Working Pressure (2 ½" - 3")

### Principal Parts & Materials

| Item | Part          | Material                                   | ASTM                       |
|------|---------------|--|----------------------------|
| 1    | Body          | Forged Brass<br>Cast Brass                 | B124-C37700<br>B124-C85700 |
| 2    | End Cap       | Forged Brass<br>Cast Brass                 | B124-C37700<br>B124-C85700 |
| 3    | Ball          | Brass (Chrome Plated)<br>Stainless (202SJ) | B124-C37700<br>--          |
| 4    | Seat          | PTFE                                       | --                         |
| 5    | Stem          | Brass<br>Stainless (202SJ)                 | B16-C36000<br>--           |
| 6    | Thrust Washer | PTFE                                       | --                         |
| 7    | Stem Packing  | PTFE                                       | --                         |
| 8    | Gland Nut     | Brass                                      | B16-C36000                 |
| 9    | Handle        | Steel                                      |                            |
| 10   | Nut           | Steel                                      |                            |

### Approvals

- UL Approved (½" - 2")
  - MHKZ
  - YSDT
  - YRPV
  - YRBX
  - YQNZ
- FM Approved (½" - 2")
  - FM-1140
- NSF61 Approved (Pending)

### Dimensions and Weights

Inches (millimeters) - pounds (kilograms)

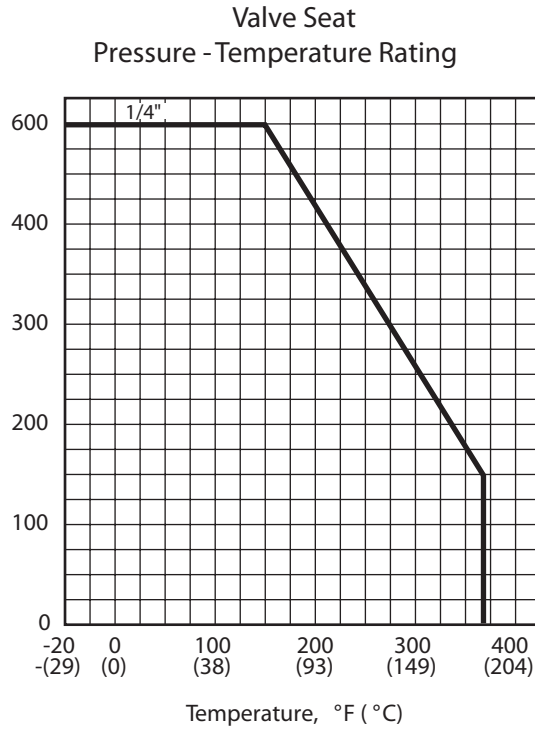
|     | ½              | ¾              | 1              | 1 ¼            | 1 ½            | 2              | 2 ½             | 3               |
|-----|----------------|----------------|----------------|----------------|----------------|----------------|-----------------|-----------------|
|     | (15)           | (20)           | (25)           | (32)           | (40)           | (50)           | (65)            | (80)            |
| W   | 2.13<br>(54)   | 2.40<br>(61)   | 2.95<br>(75)   | 3.66<br>(93)   | 3.66<br>(93)   | 4.21<br>(107)  | 6.28<br>(159.6) | 7.17<br>(182)   |
| H   | 1.42<br>(36)   | 1.77<br>(44.9) | 2.27<br>(57.6) | 2.43<br>(61.6) | 2.94<br>(74.8) | 3.28<br>(83.4) | 4.69<br>(119)   | 5.02<br>(127.4) |
| L   | 3.23<br>(82)   | 3.94<br>(100)  | 4.72<br>(120)  | 4.72<br>(120)  | 6.30<br>(160)  | 6.30<br>(160)  | 8.66<br>(220)   | 8.66<br>(220)   |
| D   | 0.50<br>(12.7) | 0.75<br>(19.1) | 1.0<br>(25)    | 1.25<br>(31)   | 1.50<br>(38)   | 2.0<br>(50)    | 2.5<br>(64)     | 3.0<br>(75)     |
| WTS | 0.70<br>(0.32) | 1.10<br>(0.50) | 1.80<br>(0.82) | 2.60<br>(1.18) | 3.90<br>(1.77) | 6.20<br>(2.81) | 10.30<br>(4.67) | 15.10<br>(6.85) |



# Brass Ball Valves

Figure 201J    Figure 202J  
Figure 201SJ    Figure 202SJ

## Pressure/Temperature Ratings



## Optional Accessories

- Memory Stop Handles
- Extensions Stems
- Tee Handles
- Stainless Steel Lever Handles
- Locking Levers

SINCE

1864



### **Global Headquarters**

9200 New Trails Drive, Suite 200  
The Woodlands, Texas 77381-5219  
Tel: 281-298-5463  
Fax: 281-298-1920

### **Customer Service**

Jenkins Valves  
254 Henry Street  
Brantford, Ontario N3T 5T7  
Tel: 519-759-3911  
Tel: 800-563-6302  
Fax: 519-759-7970

[www.craneenergy.com](http://www.craneenergy.com)

---

## **Crane Energy Flow Solutions**

### **CENTER LINE®**

Resilient Seated Butterfly and Check Valves  
Pneumatic and Electric Actuators

### **CRANE®**

Cast Steel, Bronze, and Iron Valves

### **FLOWSEAL®**

High Performance Butterfly Valves

### **JENKINS®**

Bronze, Iron, and Cast Steel Valves

### **DUO-CHEK®**

High Performance Wafer Check Valves

### **ALOYCO®**

Corrosion Resistant Gate, Globe and Check Valves

### **UNI-CHEK®**

Severe Service Check Valves

### **NOZ-CHEK® & COMPAC-NOZ®**

Severe Service, Nozzle-Type Check Valves

### **PACIFIC®**

High Pressure and Severe Service Valves  
Quarter Turn Severe Service Plug Valves

### **WEDGEPLUG®**

Severe Service, Metal-Seated Plug Valves

**CRANE**®

Energy Flow Solutions

Crane, Center Line, Flowseal, Duo-Chek, Uni-Chek, Pacific,  
Jenkins, Alloyco, Noz-Chek, Compac-Noz and Wedgeplug are  
all trademarks of Crane Co. ©2007